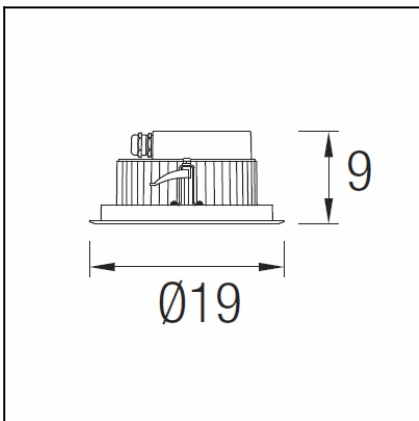




The photograph may not match the reference exactly. Please read the product description to identify the finish.



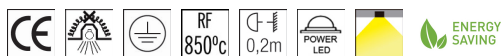
Download photometric file .ldt /.ies

### DESCRIPTION

May be flush mounted onto the ceiling. Body produced in injected aluminium, with an AISI 316 stainless steel surround and a clear glass diffuser. Light source comprises 9 CREE 4200K 3W LED lights with a total output of 1,836 lumens. Beam aperture of 25°. Driver included (230V). Includes 3000K warm light filter and a light diffuser filter. Its wire outlets on both sides makes it suitable for an array installation. It can be rotated by +/- 15°. Compact design (only 9cm deep).

### TECHNICAL CHARACTERISTICS

Type:	Downlight
Adjustable $\pm 15^\circ$ on the vertical axis	
IP Protection degrees:	IP66
IK Protection degrees:	IK08
Bulb:	9 x LED Philips. Neutral white - 4000K
Power (W):	18W
Total power consumption (W):	20.1
Luminous efficacy (Lm/W):	103
CRI:	75
Angle of the optics/Reflector:	25°
Voltage / Frequency:	220-240V/50-60Hz
Warranty (Years):	2
Option to extend the guarantee:	Yes, 5 years
Units per box:	2
Net Weight (Kg):	1.75
EAN:	8435381400262



### MATERIALS / FINISHES

**Structure material:** Stainless steel AISI316

**Diffuser material:** Glass

**Structure finish:** Polished

**Diffuser finish:** Tempered

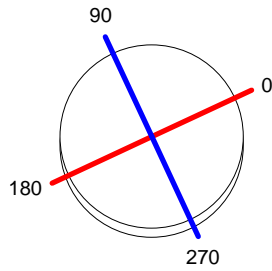
### GEAR

Gear included: Yes, electronic

<b>Luminaire</b>		<b>Measur.</b>		<b>Lamp</b>	
Code	35-2186-14-37	Code	35-2186-60-37	Code	FORTIMO LED 2000 19W
Name	Proyector 19W 3000K 24° blanco	Name	Proyector 19W 3000K 24° negro	Number	1
Line	- LEDS C4 LEDS	Date	25-03-2013	Position	Universal
Efficiency	72.05%	Coordinate system	CG	Total Flux	2000.00 lm
Maximum value	4108.01 cd	Position	C=0.00 G=0.00	Double Symmetrical	
Round Luminaire	Diam.	100 mm	Height	210 mm	
Round Luminous Area	Diam.	80 mm	Height	0 mm	
Horizontal Luminous Area	0.005027 m2		Emitting area on Plane 180°	0.000000 m2	
Emitting area on Plane 0°	0.000000 m2		Emitting area on Plane 270°	0.000000 m2	
Emitting area on Plane 90°	0.000000 m2		Glare area at 76°	0.001216 m2	
Symmetry Type	Double Symmetrical		Maximum Gamma Angle	90	
Measurement Distance	6.44		Measurement Flux	2000.00 lm	
Operator	Asselum T2		Source voltage	230.00 V	
Temperature	20.00 °C		Source current	PRC	
Humidity	50.00 %		Photocell		
Notes					

Luminaire Lamps						
Line	Code	Name	Flux [lm]	Pow. [W]	Q.ty	
- LEDS C4 LEDS	FORTIMO LED 2000 19W	Lámpara led blanco 19W	2000.00	19.00	1	
C.I.E.	94 99 100 100 72	D DIN 5040	A60			
F UTE	0.72 A	B NBN	BZ 1			

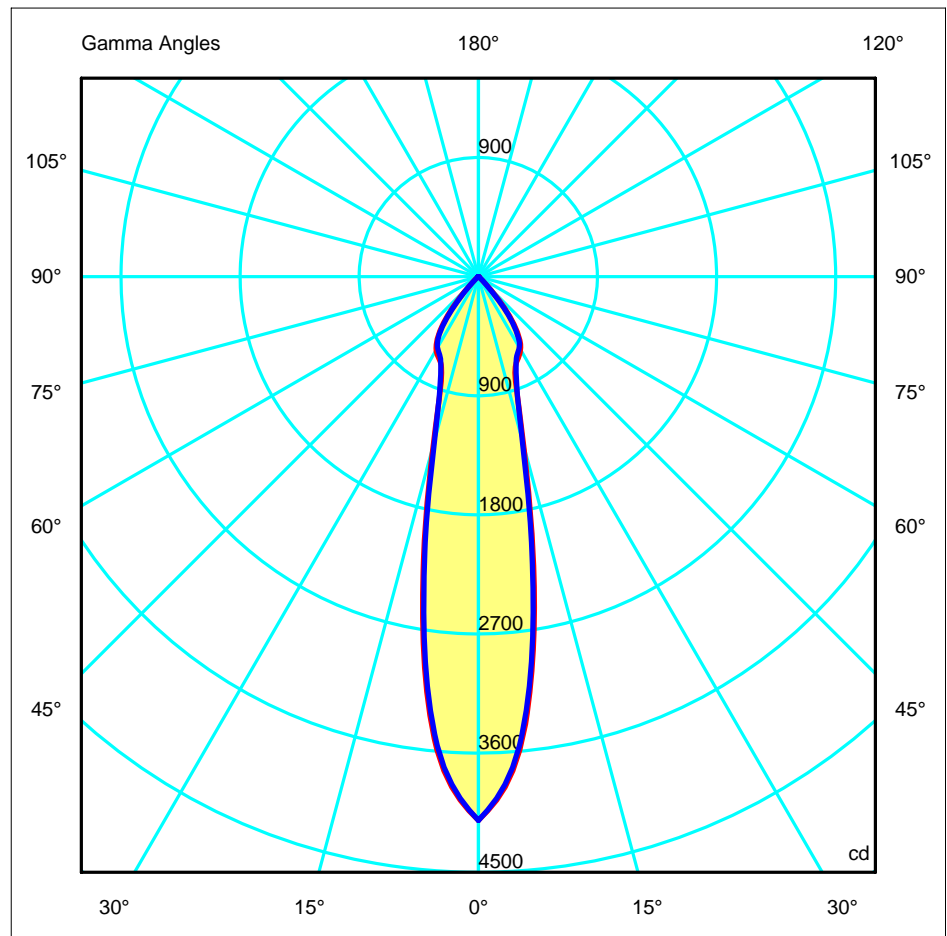
Diam=100mm

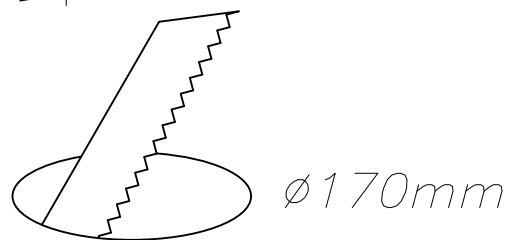
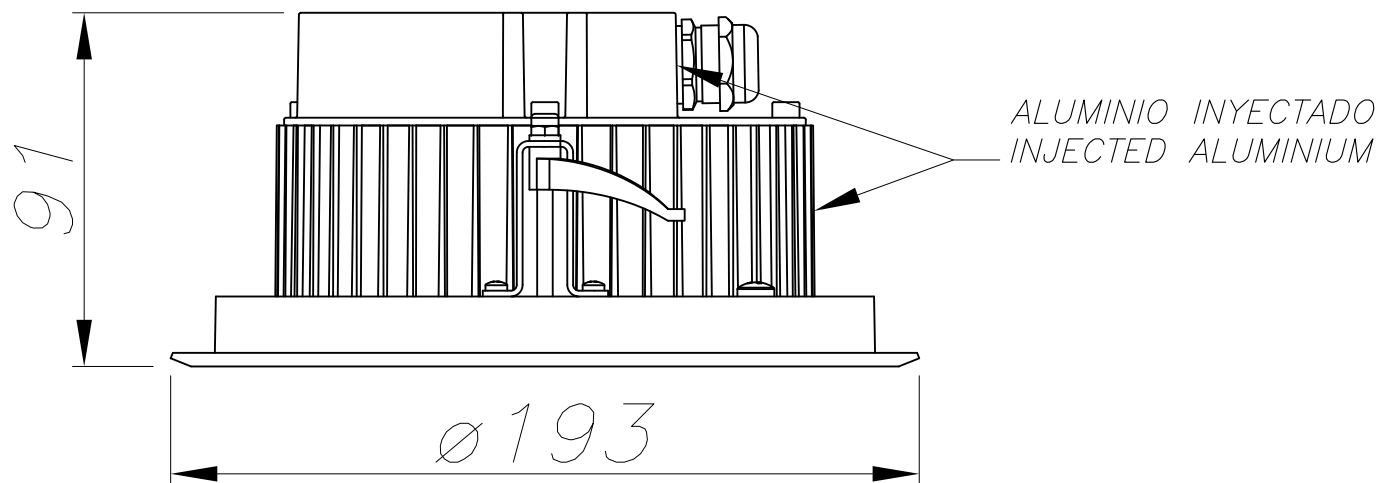
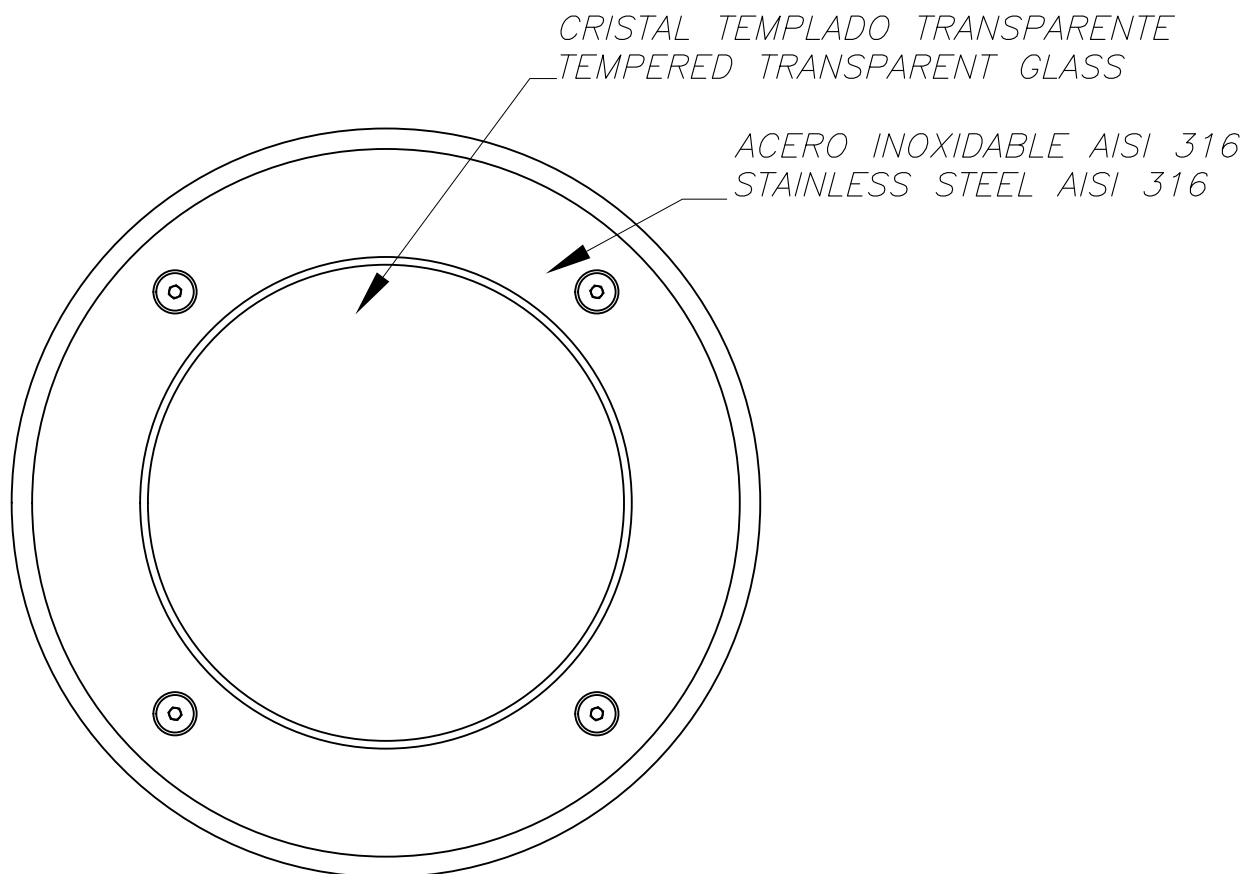


C Halfplanes

180.0 — 0.0  
270.0 — 90.0

ULOR 0.00 %  
DLOR 72.05 %  
RN 0.00 %





AGUJERO PARA EMPOTRAR  
FITTING HOLE

