

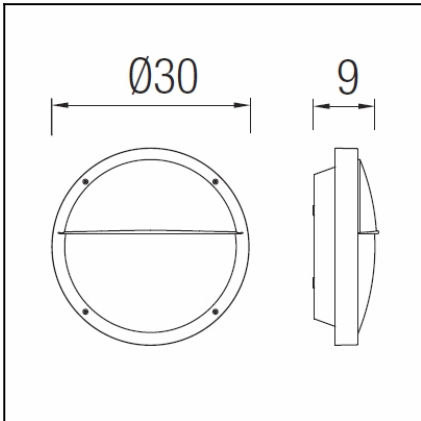
**OUT** 

# OPAL

## 15-9677-14-M1



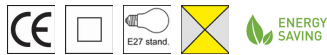
The photograph may not match the reference exactly. Please read the product description to identify the finish.



Download photometric file .ldt /.ies

### TECHNICAL CHARACTERISTICS

Type:	Ceiling fixture
IP Protection degrees:	IP65
IK Protection degrees:	IK10
Lampholder:	2 x E27
Power (W):	E27 2x max.23W
Voltage / Frequency:	220-240V/50-60Hz
Warranty (Years):	2
Units per box:	12
Net Weight (Kg):	0.735
EAN:	3435381400330



### MATERIALS / FINISHES

**Structure material:** Polycarbonate + ABS

**Diffuser material:** Polycarbonate

**Structure finish:** White

**Diffuser finish:** Opal

71-9711-00-00



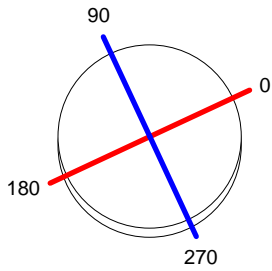
71-9712-00-00



<b>Luminaire</b>		<b>Measur.</b>		<b>Lamp</b>	
Code	15-9677-14-M1	Code	15-9677-14-M1	Code	15-9677-14-M1
Name	Aplique leds 16W difusor opal	Name	Aplique leds 16W difusor opal	Number	1
Line	- LEDS C4 LEDS	Date	20-11-2013	Position	Universal
Efficiency	100.00%	Coordinate system	CG	Total Flux	801.50 lm
Maximum value	231.28 cd	Position	C=0.00 G=0.00	Double Symmetrical	
Round Luminaire	Diam.	300 mm	Height	95 mm	
Round Luminous Area	Diam.	260 mm	Height	25 mm	
Horizontal Luminous Area	0.053093 m2	Emitting area on Plane 180°	0.006500 m2		
Emitting area on Plane 0°	0.006500 m2	Emitting area on Plane 270°	0.006500 m2		
Emitting area on Plane 90°	0.006500 m2	Glare area at 76°	0.019151 m2		
Symmetry Type	Double Symmetrical	Maximum Gamma Angle	180		
Measurement Distance	6.44	Measurement Flux	801.50 lm		
Operator	Asselum T2	Source voltage	230.00 V		
Temperature	20.00 °C	Source current			
Humidity	50.00 %	Photocell	PRC		
Notes					

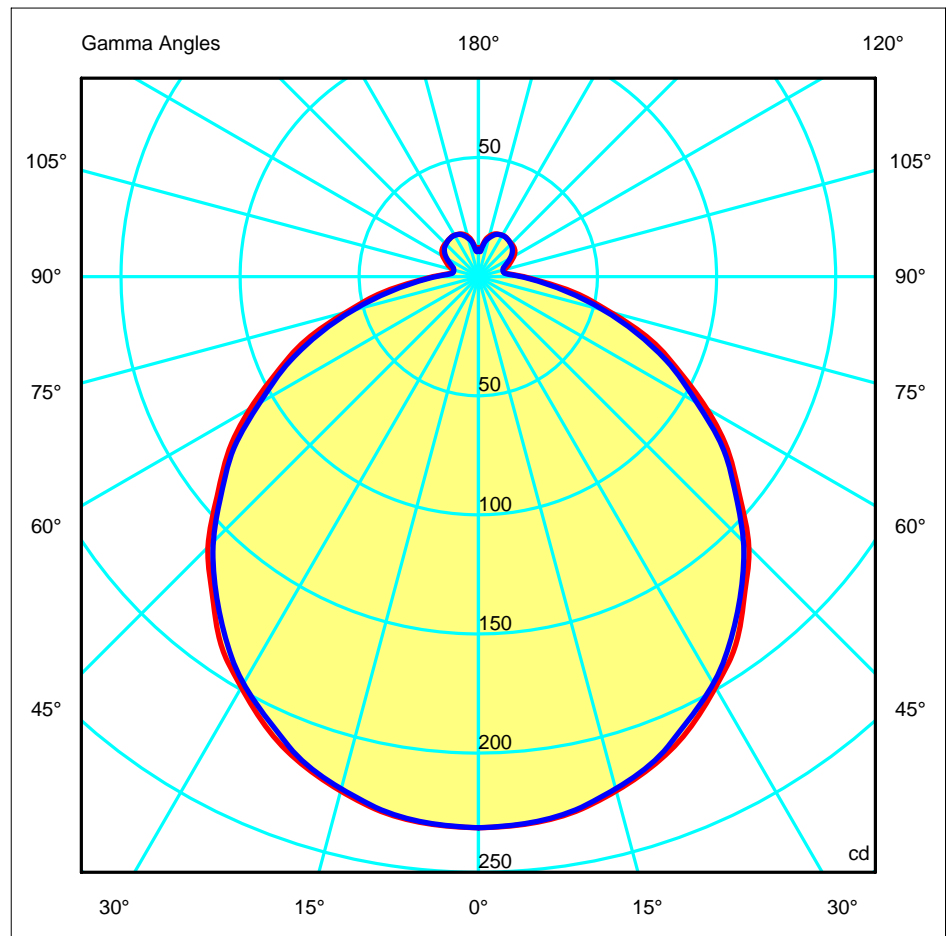
Luminaire Lamps						
Line	Code	Name	Flux [lm]	Pow. [W]	Q.ty	
- LEDS C4 LEDS	15-9677-14-M1	Lámpara leds 16W	801.50	16.00	1	
C.I.E.	44 75 93 88 100	D DIN 5040				B31
F UTE	0.88 E + 0.12 T	B NBN				BZ 5

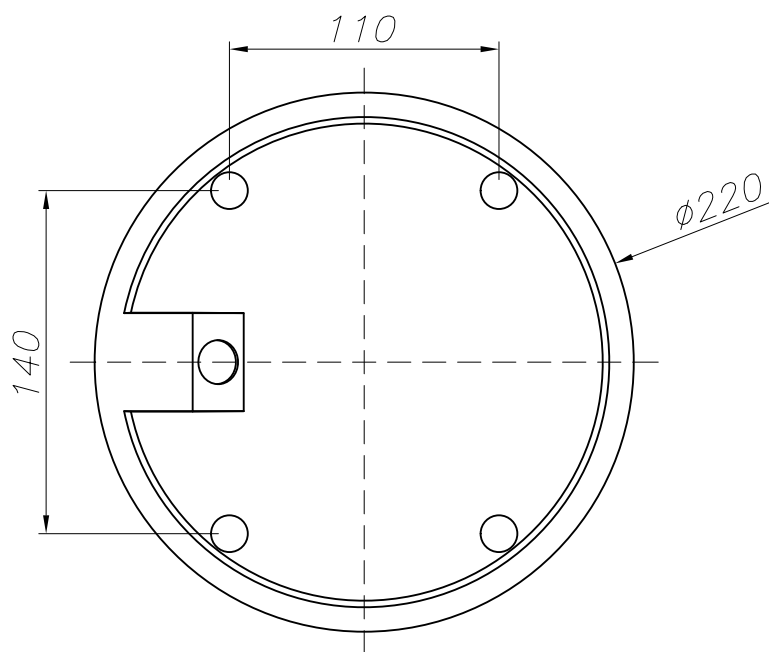
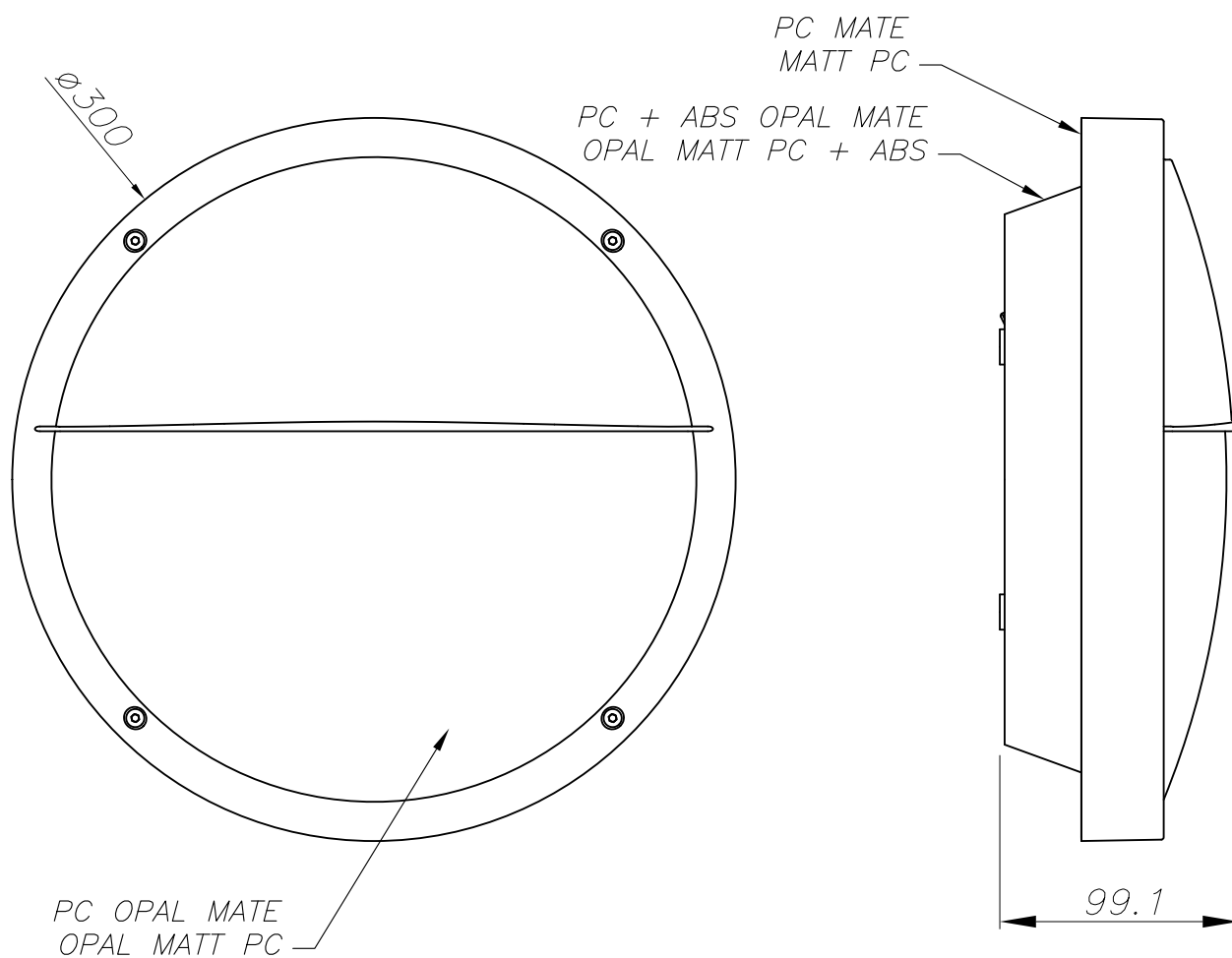
Diam=300mm



C Halfplanes  
 180.0 — 0.0  
 270.0 — 90.0

ULOR 11.87 %  
 DLOR 88.13 %  
 RN 11.87 %





PLANTILLA DE INSTALACIÓN  
INSTALLATION TEMPLATE

