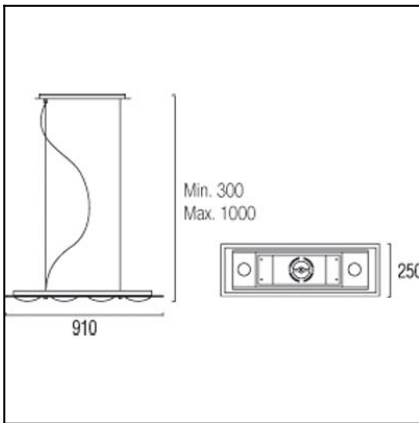


Design by Alex Sanchez



The photograph may not match the reference exactly. Please read the product description to identify the finish.



[Download photometric file .ldt / .ies](#)

TECHNICAL CHARACTERISTICS

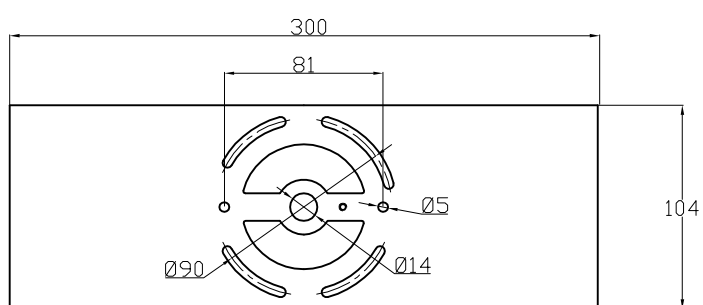
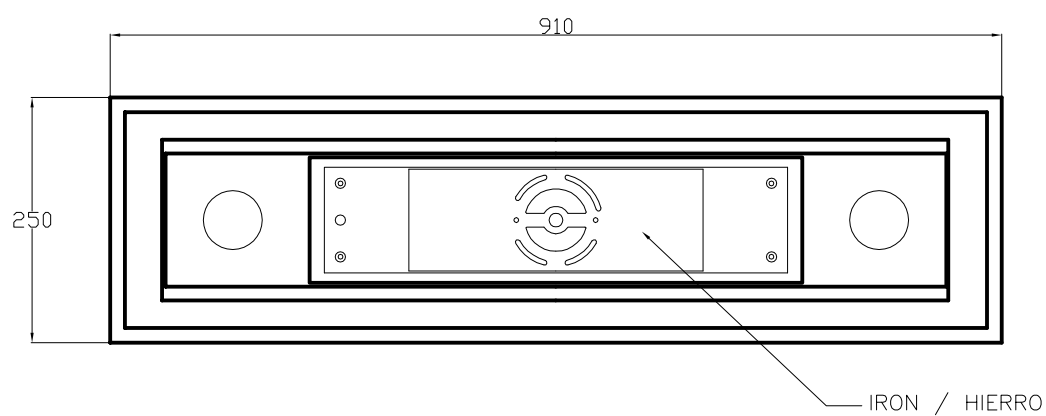
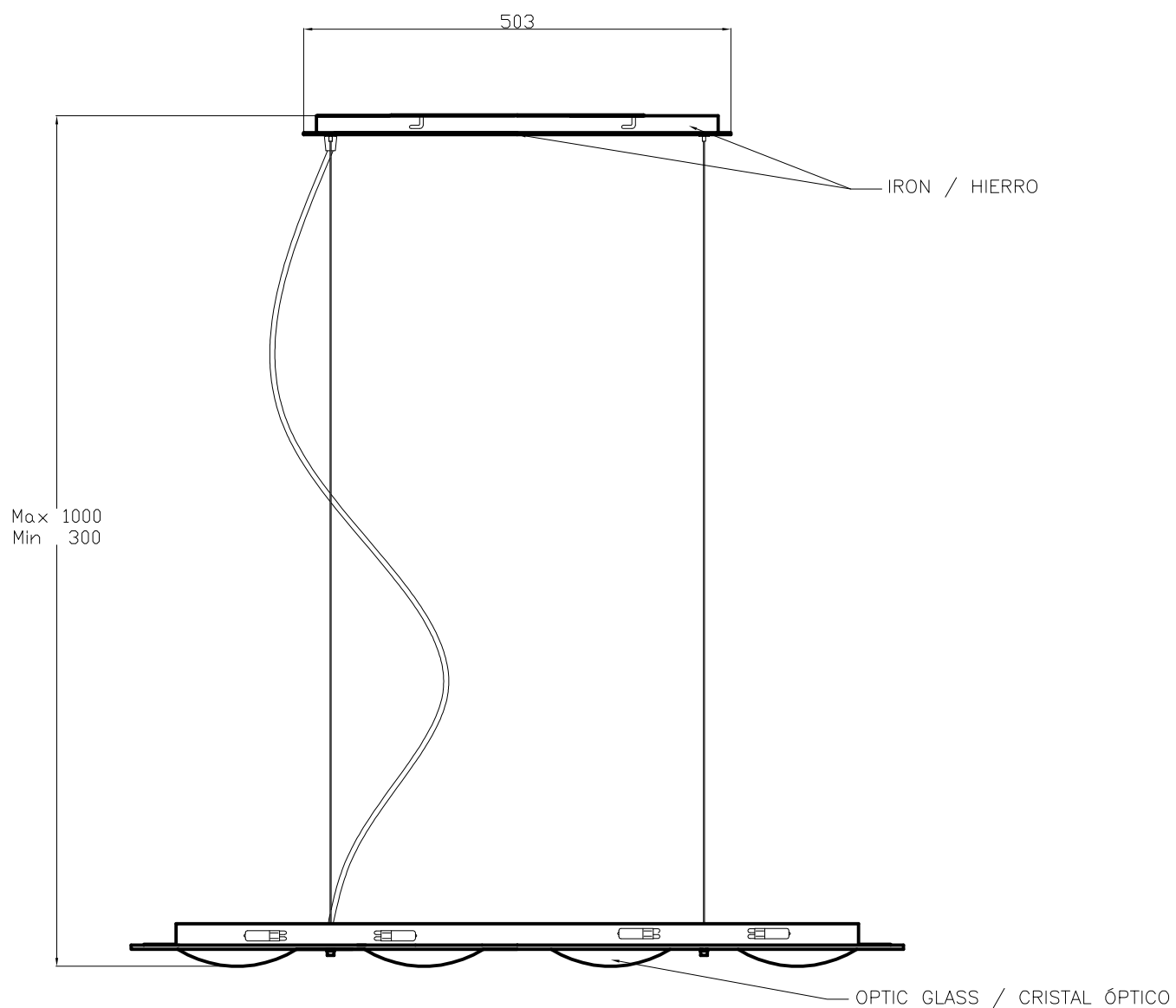
Type:	Pendant
IP Protection degrees:	IP20
Lampholder:	4 x G9
Power (W):	G9 MAX 75W
Bulb included:	4 x G9 60W
Total power consumption (W):	300
Voltage / Frequency:	220-240V/50-60Hz
Warranty (Years):	2
Units per box:	1
Net Weight (Kg):	8.12
EAN:	8435111033333,00



MATERIALS / FINISHES

Structure material: Satin aluminium
Structure finish: Anodized

Diffuser material: Glass
Diffuser finish: Tinted

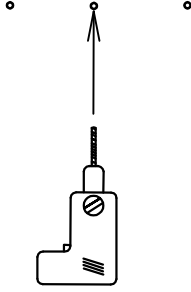




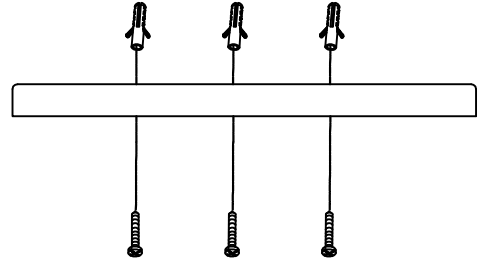
GROK

20-0325
20-0326

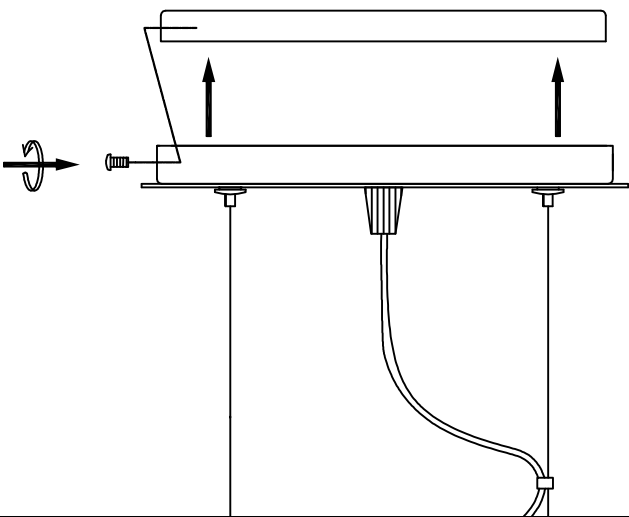
1



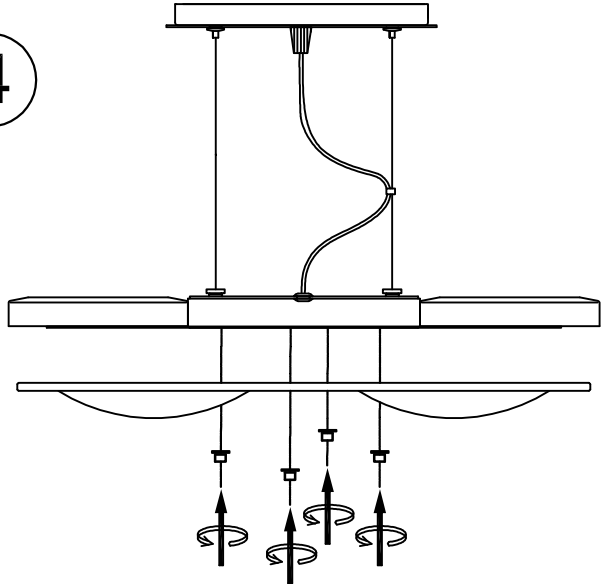
2



3



4



5

