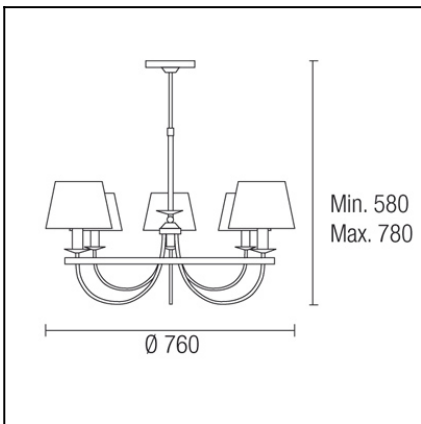




The photograph may not match the reference exactly. Please read the product description to identify the finish.



Download photometric file .ldt /.ies

TECHNICAL CHARACTERISTICS

Type:	Pendant
IP Protection degrees:	IP20
Lampholder:	5 x E14
Power (W):	E14 MAX 60W
Total power consumption (W):	300
Voltage / Frequency:	220-240V/50-60Hz
Warranty (Years):	2
Units per box:	1
Net Weight (Kg):	4.85
EAN:	8435111028346,00



MATERIALS / FINISHES

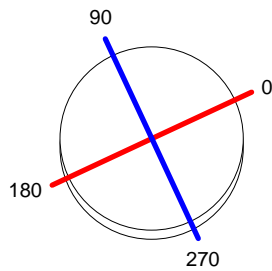
Structure material: Steel
Structure finish: Old brown

Diffuser material: Fabric shade
Diffuser finish: Beige

Luminaire		Measur.		Lamp	
Code	20-0544-Y2-20	Code	20-0544-Y2-20	Code	STANDARD OLIV 60W
Name	Colgante PROVENZA 5x60W E14	Name	Colgante 5x60W E14	Number	5
Line	- LEDS-C4	Date	17-12-2013	Position	Universal
Efficiency	64.71%	Coordinate system	CG	Total Flux	3350.00 lm
Maximum value	421.11 cd	Position	C=90.00 G=135.00	Double Symmetrical	
Round Luminaire	Diam.	800 mm	Height	345 mm	
Round Luminous Area	Diam.	800 mm	Height	120 mm	
Horizontal Luminous Area	0.502655 m2	Emitting area on Plane 180°	0.096000 m2		
Emitting area on Plane 0°	0.096000 m2	Emitting area on Plane 270°	0.096000 m2		
Emitting area on Plane 90°	0.096000 m2	Glare area at 76°	0.214752 m2		
Symmetry Type	Double Symmetrical	Maximum Gamma Angle	180		
Measurement Distance	6.44	Measurement Flux	3470.00 lm		
Operator	Asselum T2	Source voltage	230.00 V		
Temperature	20.00 °C	Source current			
Humidity	55.00 %	Photocell	PRC		
Notes					

Luminaire Lamps						
Line	Code	Name	Flux [lm]	Pow. [W]	Q.ty	
PHILIPS 2005 ILCOS IA,IB,IC	STANDARD OLIV 60W	STANDARD OLIVA 60W E14 230V	670.00	60.00	5	
C.I.E.	34 70 88 38 65	D DIN 5040				
F UTE	0.24 G + 0.40 T	B NBN				
		D22				
		BZ 6				

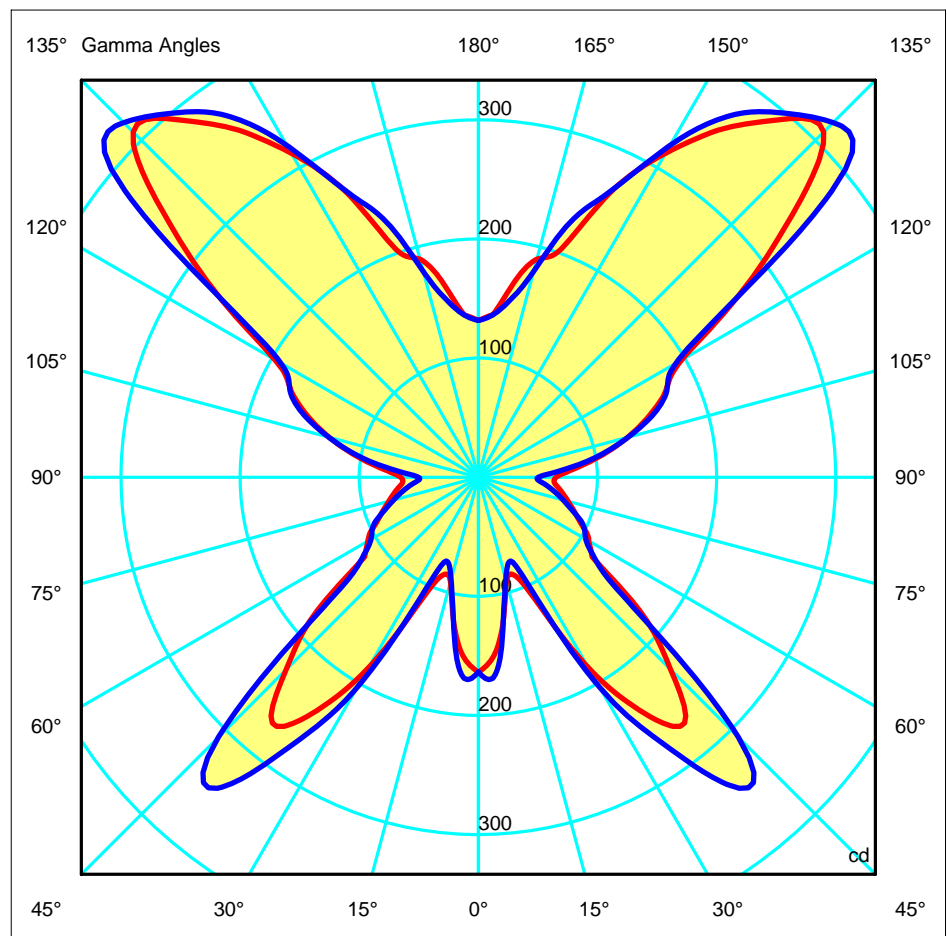
Diam=800mm

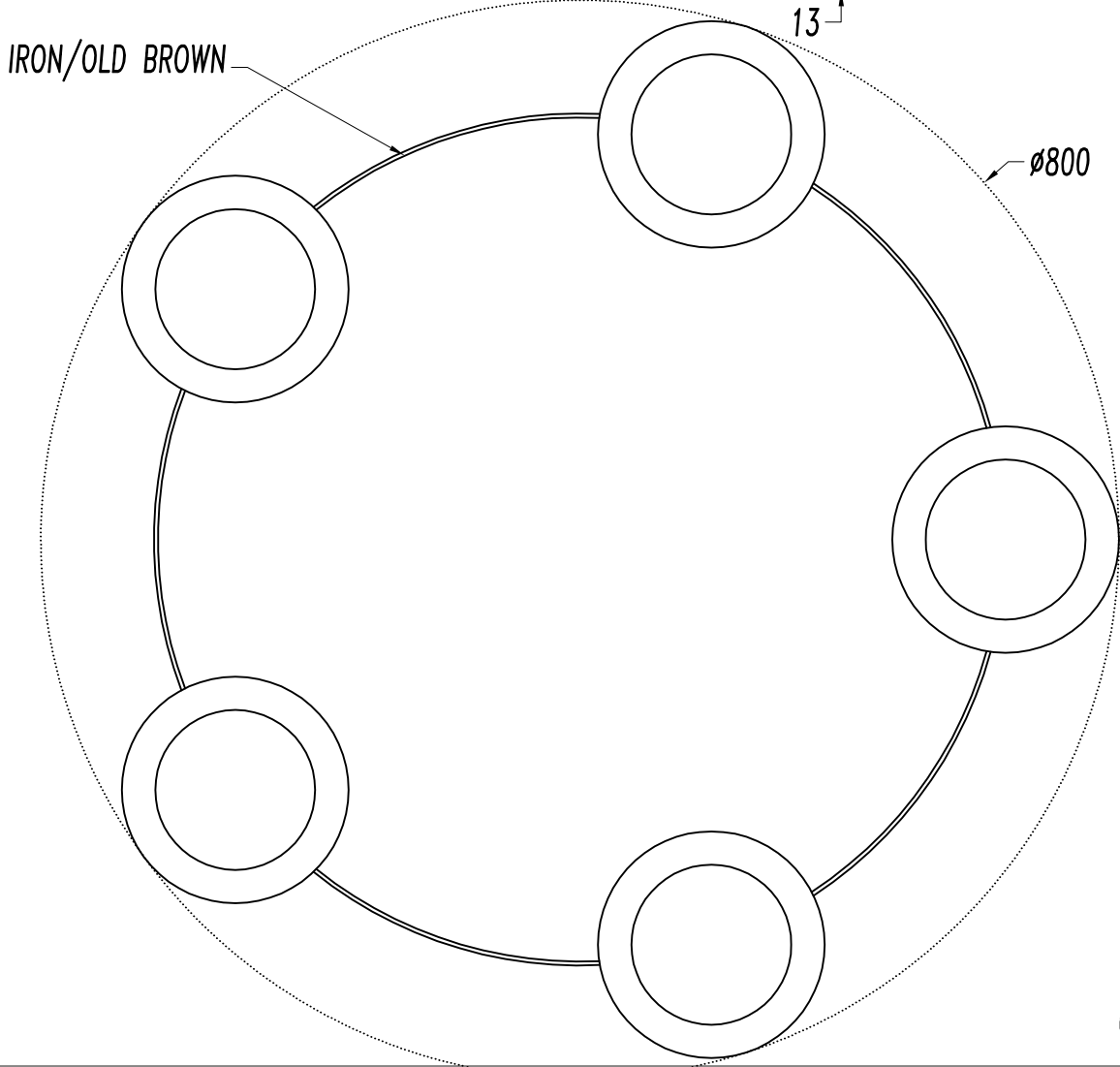
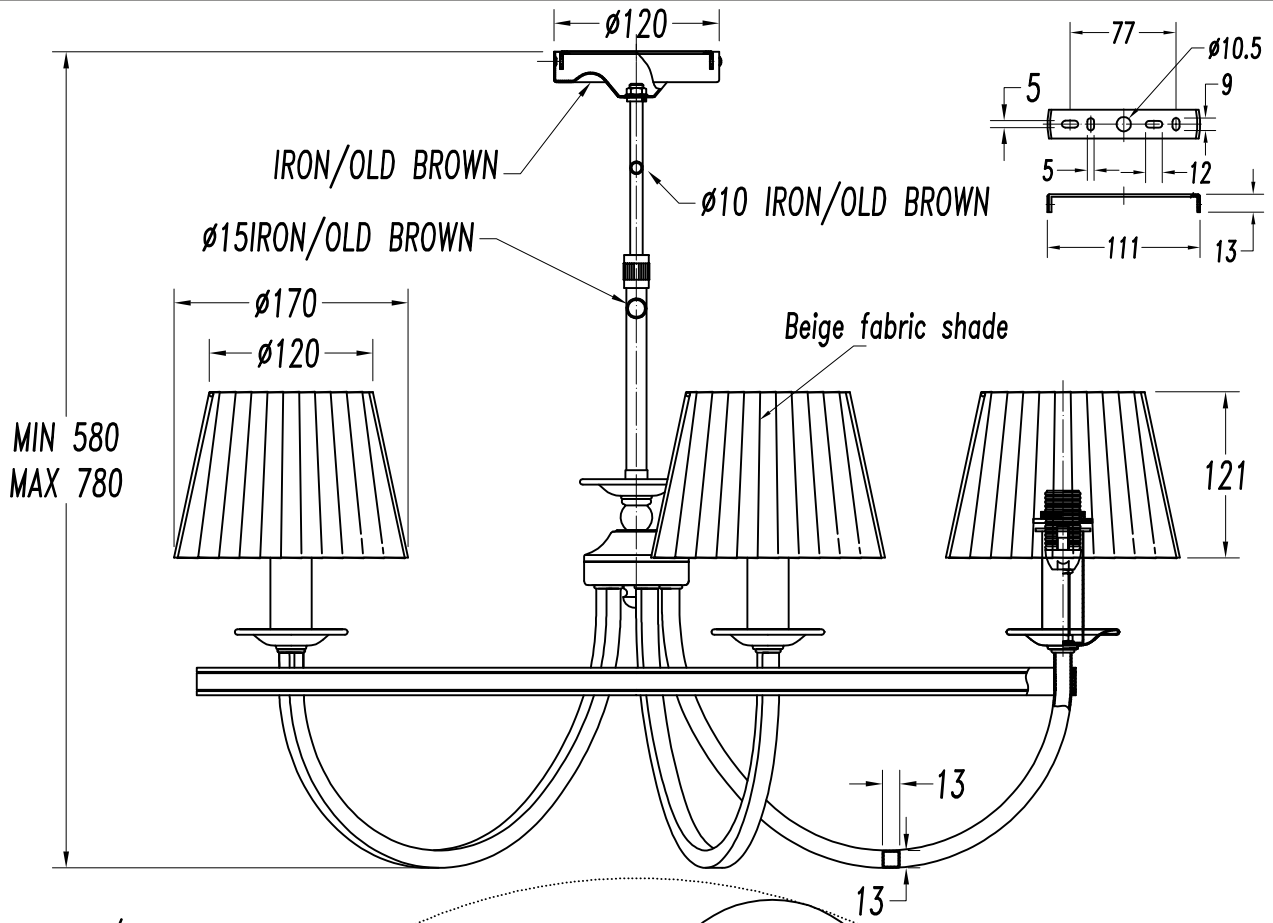


C Halfplanes

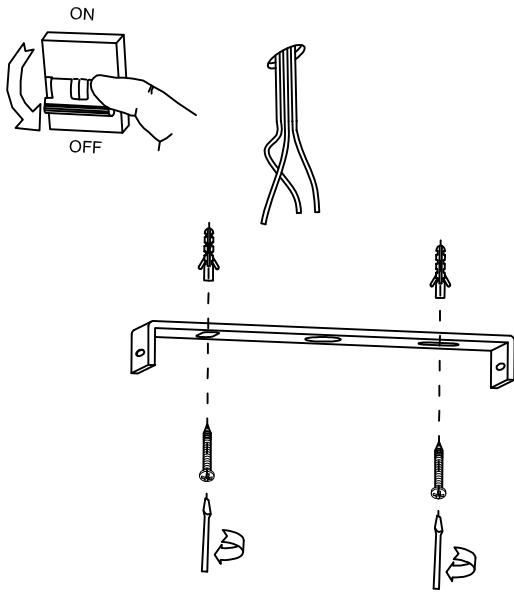
180.0 — 0.0
270.0 — 90.0

ULOR 40.27 %
DLOR 24.45 %
RN 62.22 %

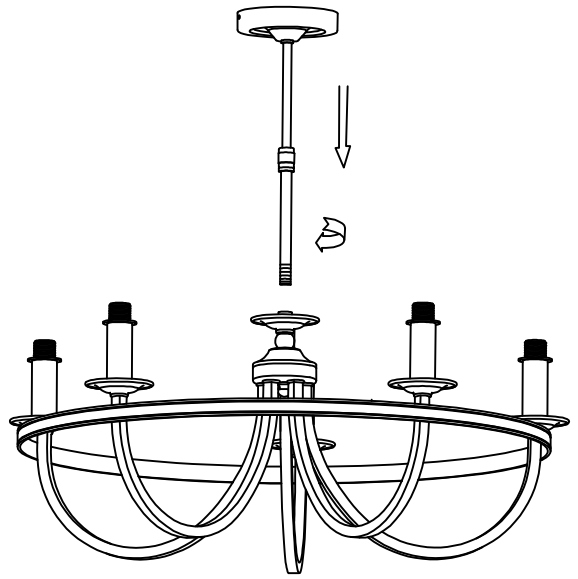




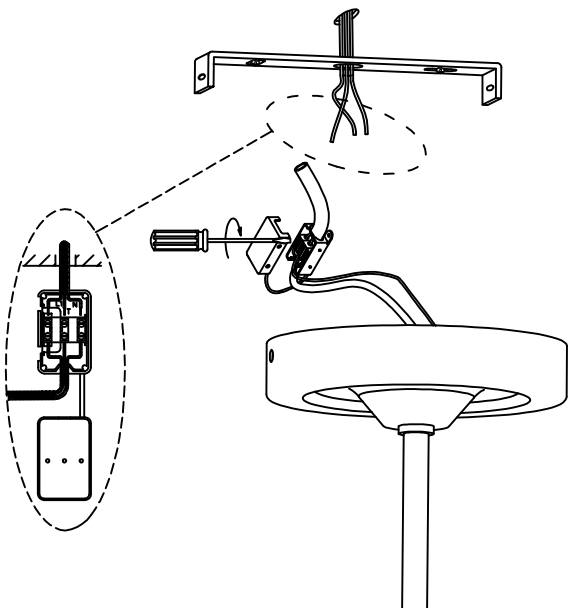
1



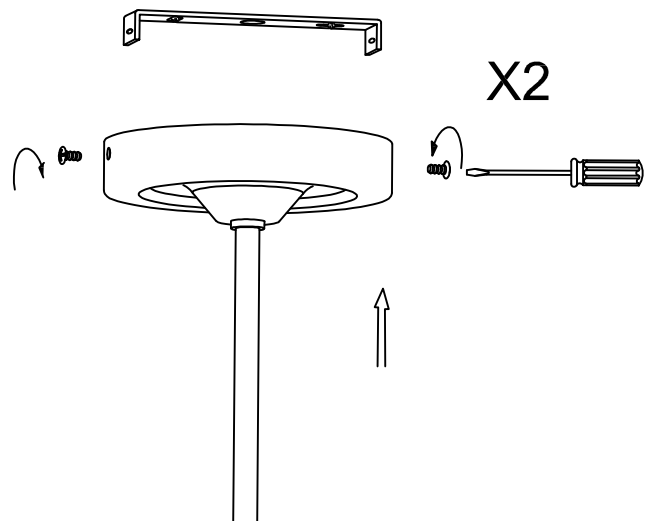
2



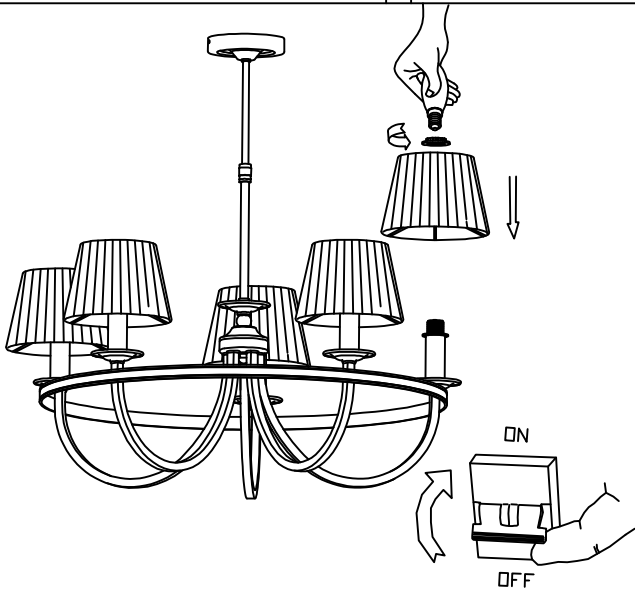
3



4



5



6

