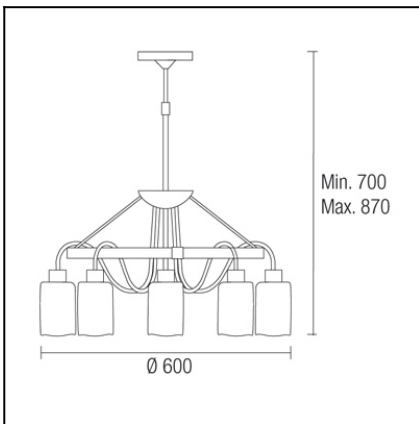




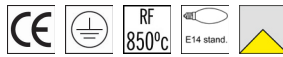
The photograph may not match the reference exactly. Please read the product description to identify the finish.



Download photometric file .ldt /.ies

### TECHNICAL CHARACTERISTICS

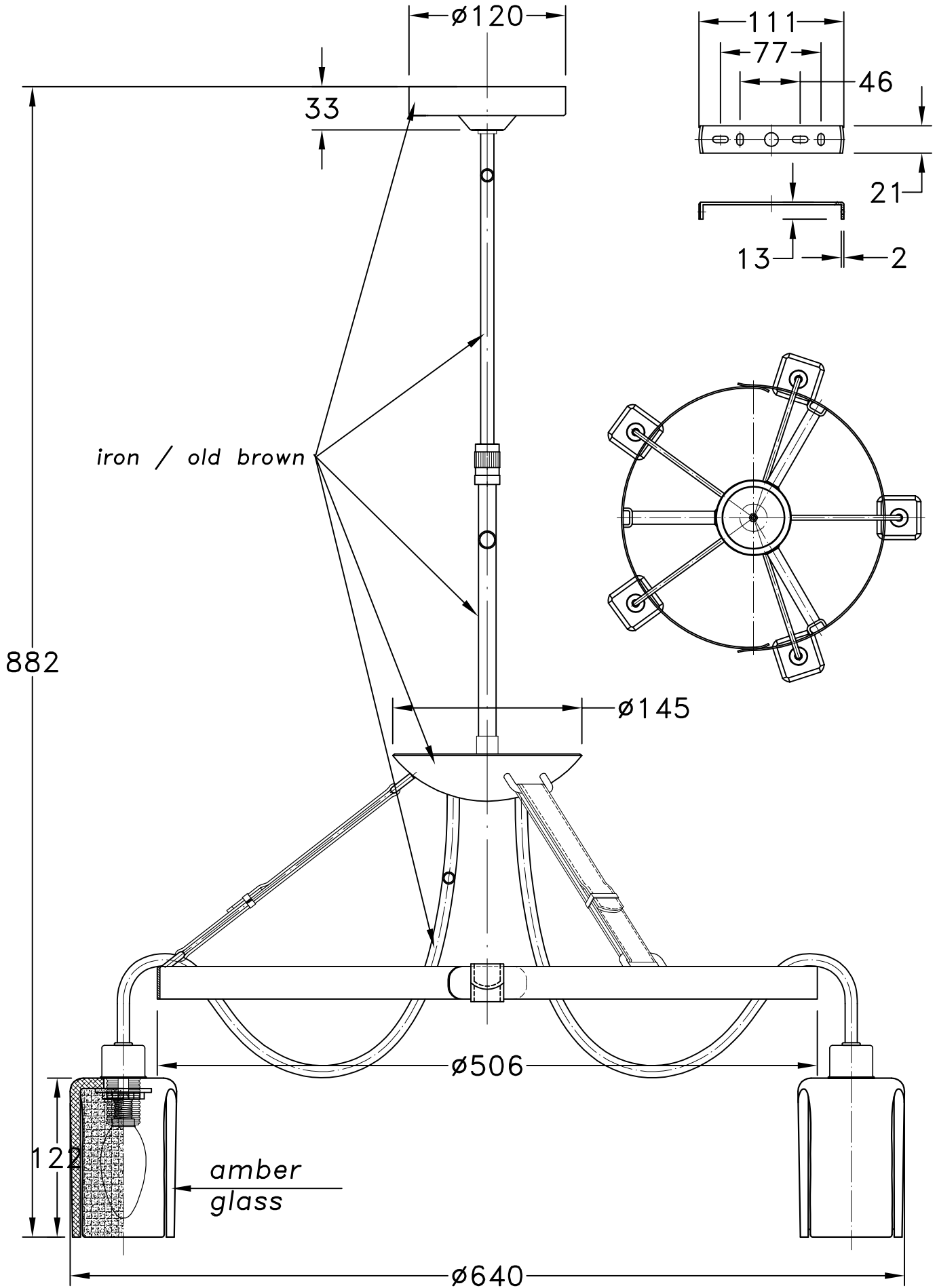
Type:	Led strip
IP Protection degrees:	IP20
Lampholder:	5 x E14
Power (W):	E14 60
Total power consumption (W):	300
Voltage / Frequency:	220-240V/50-60Hz
Warranty (Years):	2
Units per box:	1
Net Weight (Kg):	5.8
EAN:	8435111034170,00



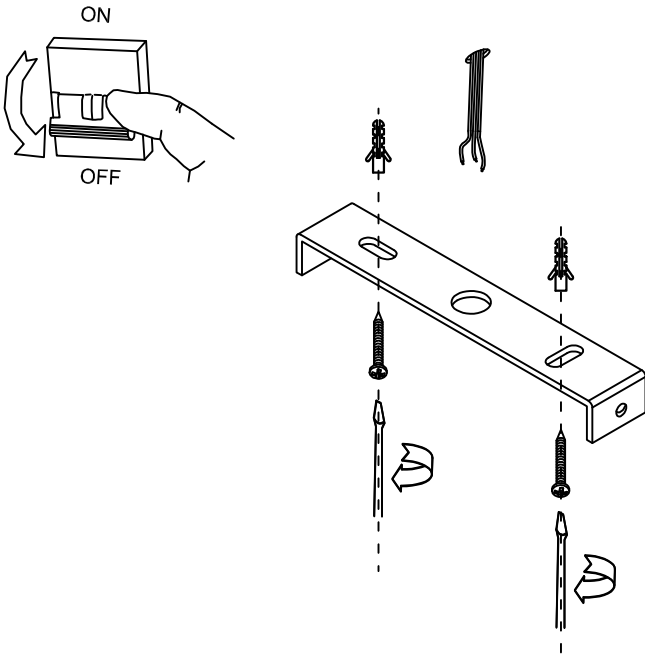
### MATERIALS / FINISHES

**Structure material:** Steel  
**Structure finish:** Old brown

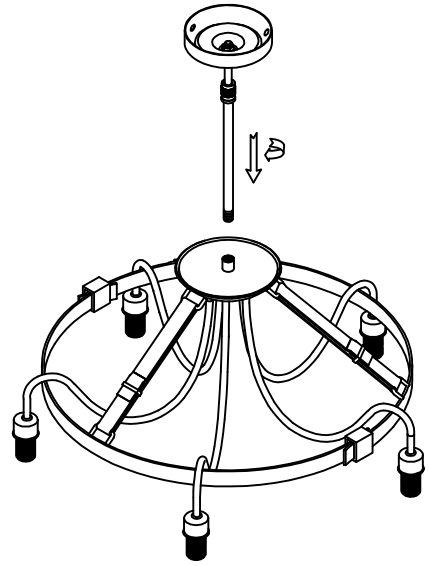
**Diffuser material:** Glass  
**Diffuser finish:** Amber



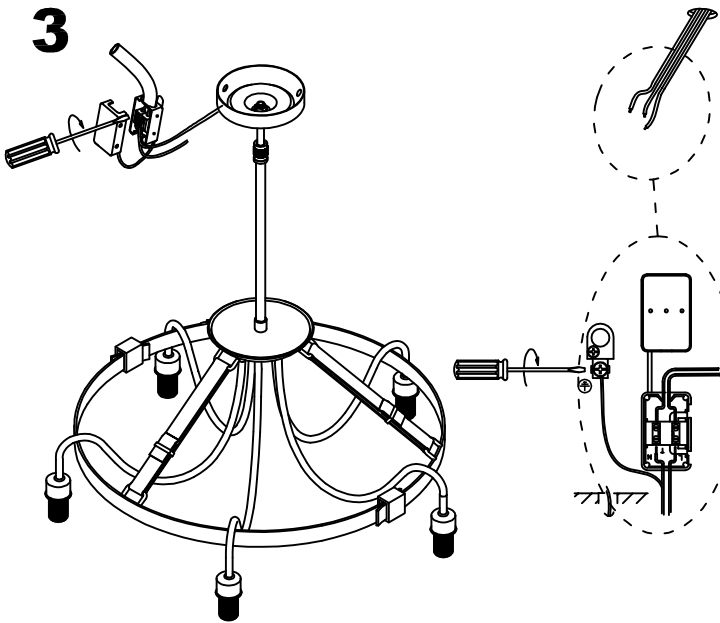
**1**



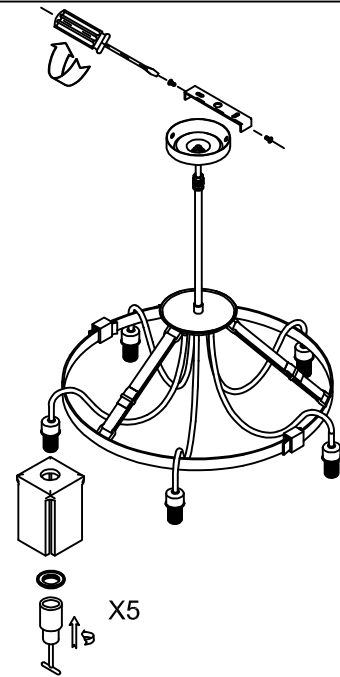
**2**



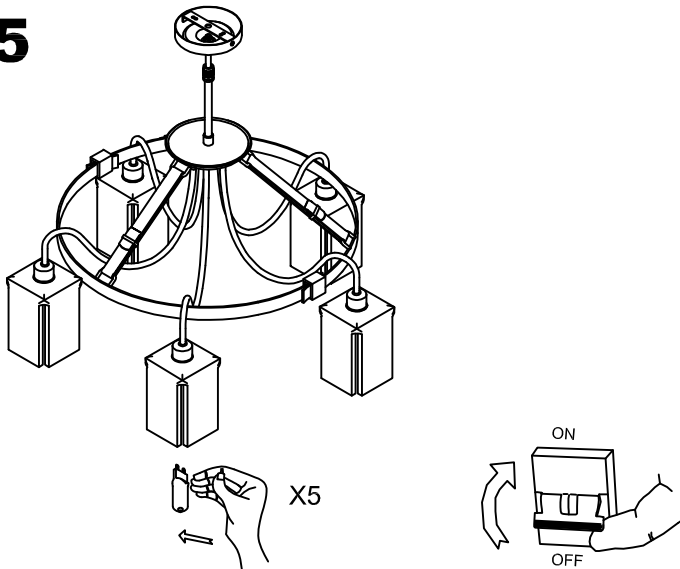
**3**



**4**



**5**



**6**

