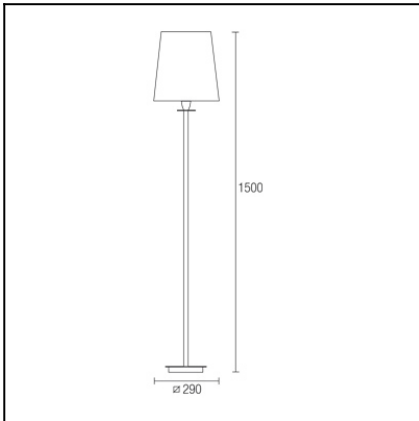




The photograph may not match the reference exactly. Please read the product description to identify the finish.



TECHNICAL CHARACTERISTICS

| | |
|------------------------------|------------------|
| Type: | Table lamp |
| IP Protection degrees: | IP20 |
| Lampholder: | 1 x E27 |
| Power (W): | E27 MAX 100W |
| Total power consumption (W): | 100 |
| Voltage / Frequency: | 220-240V/50-60Hz |
| Warranty (Years): | 2 |
| Units per box: | 1 |
| Net Weight (Kg): | 4.92 |
| EAN: | 8435071400848,00 |



MATERIALS / FINISHES

Structure material: Steel

Diffuser material: Fabric shade

Structure finish: Nickel Matt

Diffuser finish: White

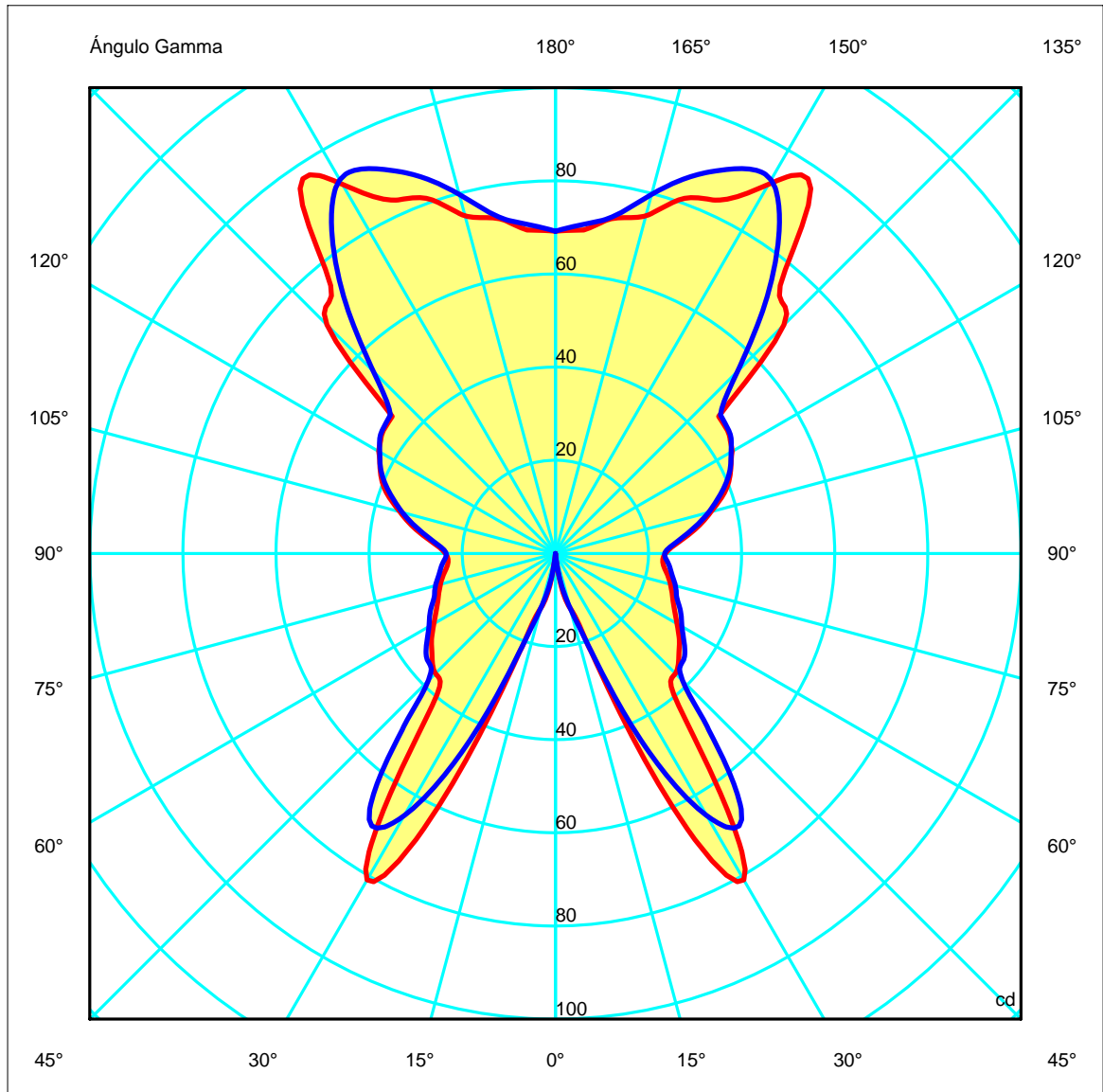
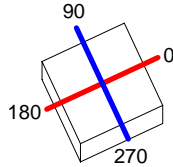
[Download photometric file .ldt /.ies](#)

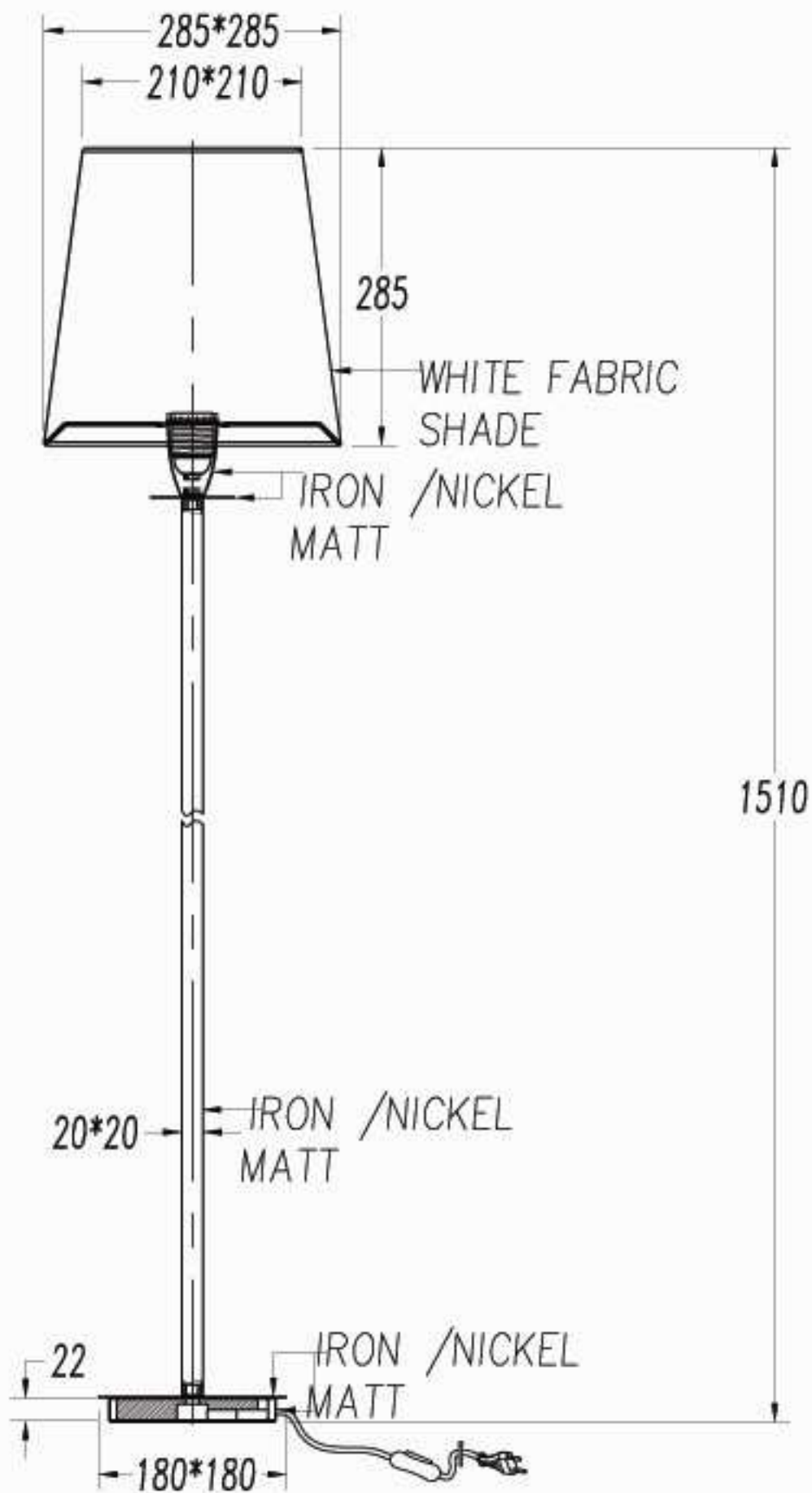
| | | | | | |
|------------------|-------------------------|-------------------|----------------------|----------------|--------------|
| Luminaria | | Ensayo | | Lámpara | |
| Código | 240-NM | Código | 240-NM | Código | CLAS A CL 60 |
| Nombre | Pie DENVER 60W E27 tela | NombrePie | DENVER 60W incan E27 | Número | 1 |
| Familia | - LEDS-C4 | Fecha | 26-03-2010 | Posición | Universal |
| Eficiencia | 79.25% | Sist. de Coorden. | C-G | Flujo Total | 710.00 lm |
| Valor Máximo | 97.07 cd | Posición | C=45.00 G=145.00 | Bisimétrico | |

140mm x 140mm

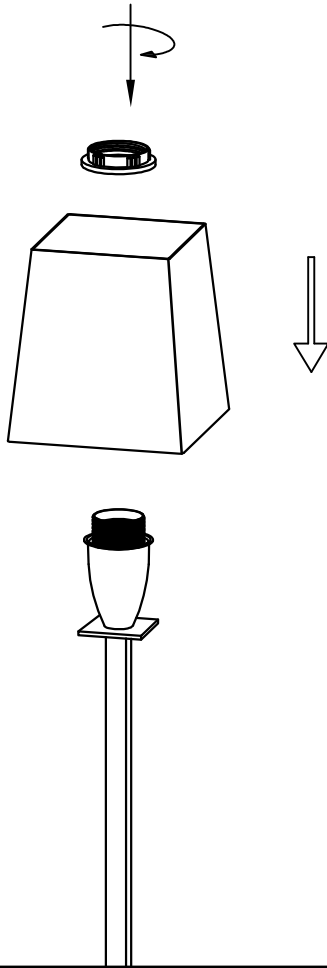
Semiplanos C

180.0 ——— 0.0
 270.0 ——— 90.0

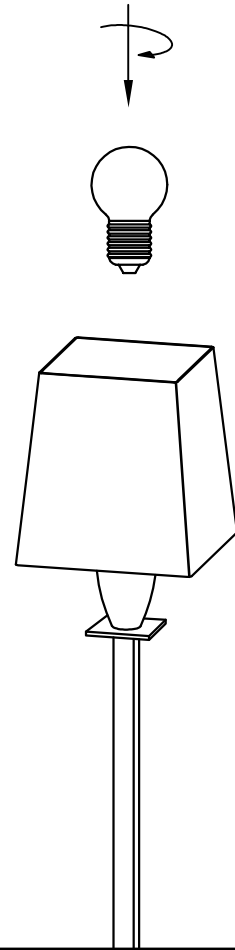




1



2



3

