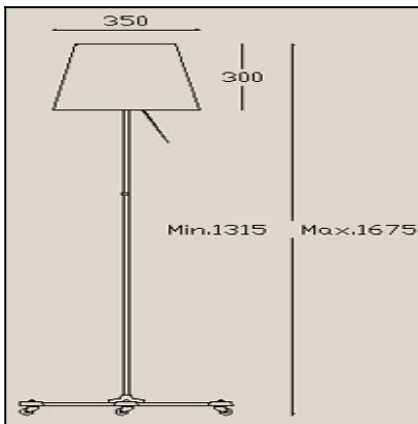


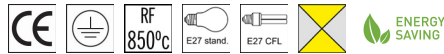


The photograph may not match the reference exactly. Please read the product description to identify the finish.



TECHNICAL CHARACTERISTICS

Type:	Floor lamp
Adjustable 360° on the vertical axis.	
IP Protection degrees:	IP20
Lampholder:	1 x E27 1 x E27
Power (W):	E27 100 E27 30
Total power consumption (W):	100
Voltage / Frequency:	220-240V/50-60Hz
Warranty (Years):	2
Units per box:	4
Net Weight (Kg):	1.925
EAN:	8435111091074,00
Stability:	13°



MATERIALS / FINISHES

Structure material:	Steel
Structure finish:	Chrome Urban grey

Download photometric file .ldt /.ies

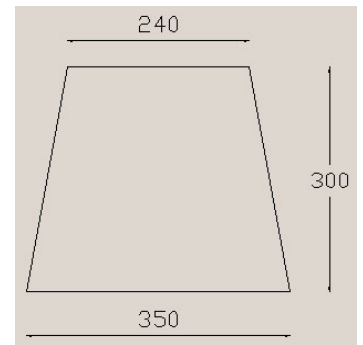
PAN-165-05



Structure material: Steel

Diffuser material: Laminated cotton shade

Diffuser finish: Black



IP20

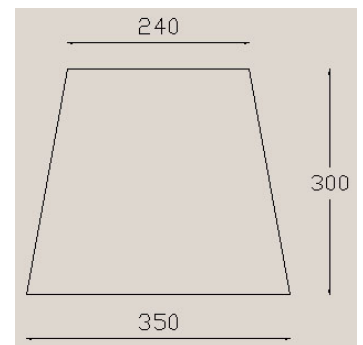
PAN-165-14



Structure material: Steel

Diffuser material: Laminated cotton shade

Diffuser finish: White

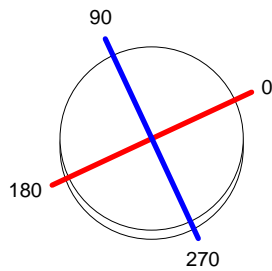


IP20

Luminaire		Measur.		Lamp	
Code	25-0264-21-82+165-05	Code	25-0264-21-82+165-05	Code	STANDAR GOC 100W O
Name	Pie 100W A55 + PAN-165-05	Name	Pie 1x100W A55+PAN-165-05	Number	1
Line	- LEDS-C4	Date	25-11-2013	Position	Universal
Efficiency	29.60%	Coordinate system	CG	Total Flux	1340.00 lm
Maximum value	126.34 cd	Position	C=0.00 G=155.00	Asymmetrical	
Round Luminaire	Diam.	350 mm	Height	300 mm	
Round Luminous Area	Diam.	350 mm	Height	300 mm	
Horizontal Luminous Area	0.096211 m2	Emitting area on Plane 180°		0.105000 m2	
Emitting area on Plane 0°	0.105000 m2	Emitting area on Plane 270°		0.105000 m2	
Emitting area on Plane 90°	0.105000 m2	Glare area at 76°		0.125157 m2	
Symmetry Type	Asymmetrical	Maximum Gamma Angle		180	
Measurement Distance	6.44	Measurement Flux		1209.00 lm	
Operator	Asselum T2	Source voltage		230.00 V	
Temperature	20.00 °C	Source current		PRC	
Humidity	43.00 %	Photocell			
Notes					

Luminaire Lamps						
Line	Code	Name	Flux [lm]	Pow. [W]	Q.ty	
PHILIPS 2005 ILCOS IA,IB,IC	STANDAR GOC 100W O	STANDAR GOCCIA 100W E27 OPALE	1340.00	100.00	1	
C.I.E.	64 89 95 40 30	D DIN 5040	D52			
F UTE	0.12 C + 0.18 T	B NBN	BZ 4 / 0.6 / BZ 3 / 2.5 / BZ 4			

Diam=350mm



C Halfplanes

180.0 — 0.0
270.0 — 90.0

ULOR 17.82 %
DLOR 11.78 %
RN 60.21 %

