

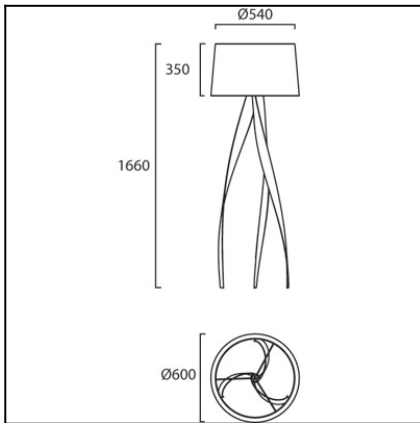
MEDUSA

25-1823-BW-T002

Design by Ramon Valls

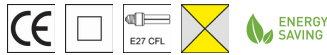


The photograph may not match the reference exactly. Please read the product description to identify the finish.



TECHNICAL CHARACTERISTICS

Type:	Floor lamp
IP Protection degrees:	IP20
Lampholder:	1 x E27
Power (W):	E27 30
Total power consumption (W):	30
Voltage / Frequency:	220-240V/50-60Hz
Warranty (Years):	2
Units per box:	1
Net Weight (Kg):	3.06
EAN:	0,00

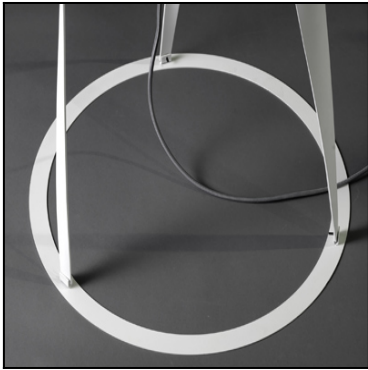


MATERIALS / FINISHES

Structure material:	Aluminium	Diffuser material:	Fabric shade
Structure finish:	Matt white	Diffuser finish:	Grey

[Download photometric file .ldt / .ies](#)

71-1759-BW-BW



Structure material:

Steel

Structure finish:

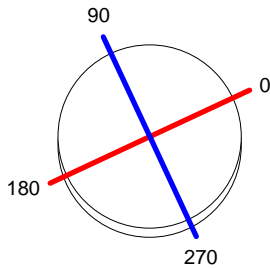
Matt white

IP20

Luminaire		Measur.		Lamp	
Code	25-1823-BW-T002	Code	25-1823-BW-T002	Code	DLX EL FCY 18W827E27
Name	Pie ESTRUC 18W TC N192 T002	Name	Pie ESTRUC 18W TC Tela T002	Number	1
Line	- LEDS-C4	Date	22-07-2013	Position	Universal
Efficiency	61.41%	Coordinate system	CG	Total Flux	1100.00 lm
Maximum value	131.72 cd	Position	C=30.00 G=125.00	Asymmetrical	
Round Luminaire	Diam.	600 mm	Height	355 mm	
Round Luminous Area	Diam.	600 mm	Height	355 mm	
Horizontal Luminous Area	0.282743 m2	Emitting area on Plane 180°	0.213000 m2		
Emitting area on Plane 0°	0.213000 m2	Emitting area on Plane 270°	0.213000 m2		
Emitting area on Plane 90°	0.213000 m2	Glare area at 76°	0.275075 m2		
Symmetry Type	Asymmetrical	Maximum Gamma Angle	180		
Measurement Distance	6.44	Measurement Flux	917.00 lm		
Operator	Asselum T2	Source voltage	230.00 V		
Temperature	25.00 °C	Source current	PRC		
Humidity	53.00 %	Photocell			
Notes					

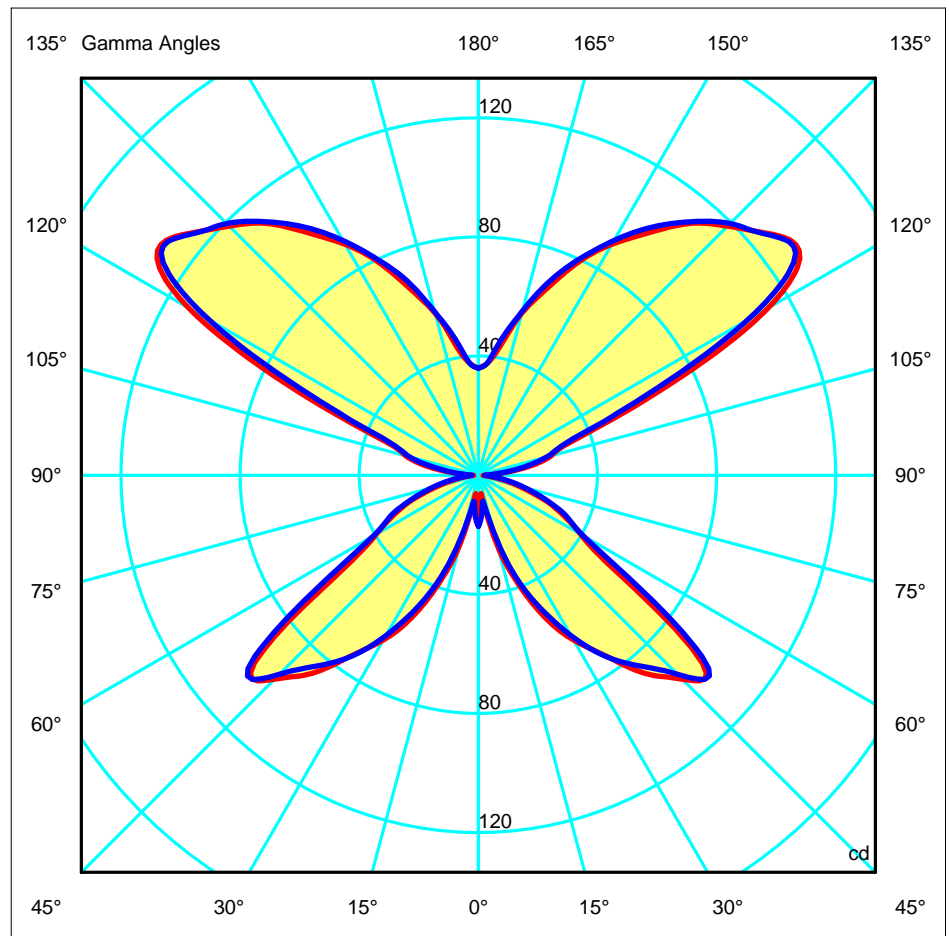
Luminaire Lamps					
Line	Code	Name	Flux [lm]	Pow. [W]	Q.ty
OSRAM 2006 FB,T,G,C,FS,Q,M,D	DLX EL FCY 18W827E27	DULUX® EL FACILITY 18W/827 E27	1100.00	18.00	1
C.I.E.	32 79 95 39 61	D DIN 5040	D22		
F UTE	0.24 I + 0.38 T	B NBN	BZ 6 / 1.25 / BZ 5		

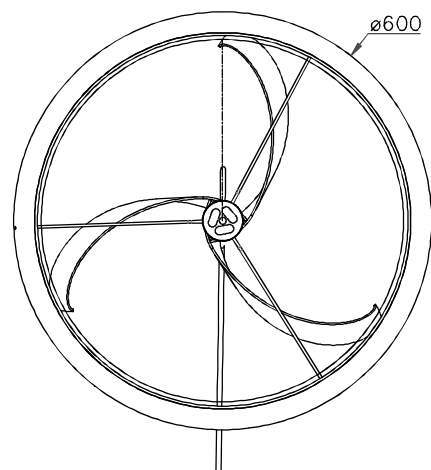
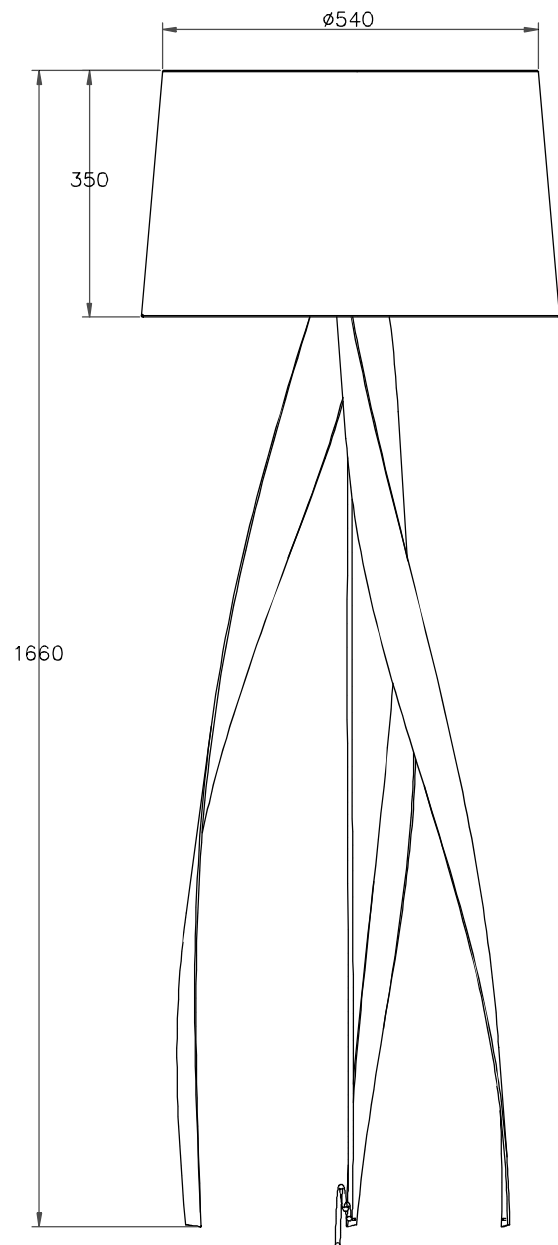
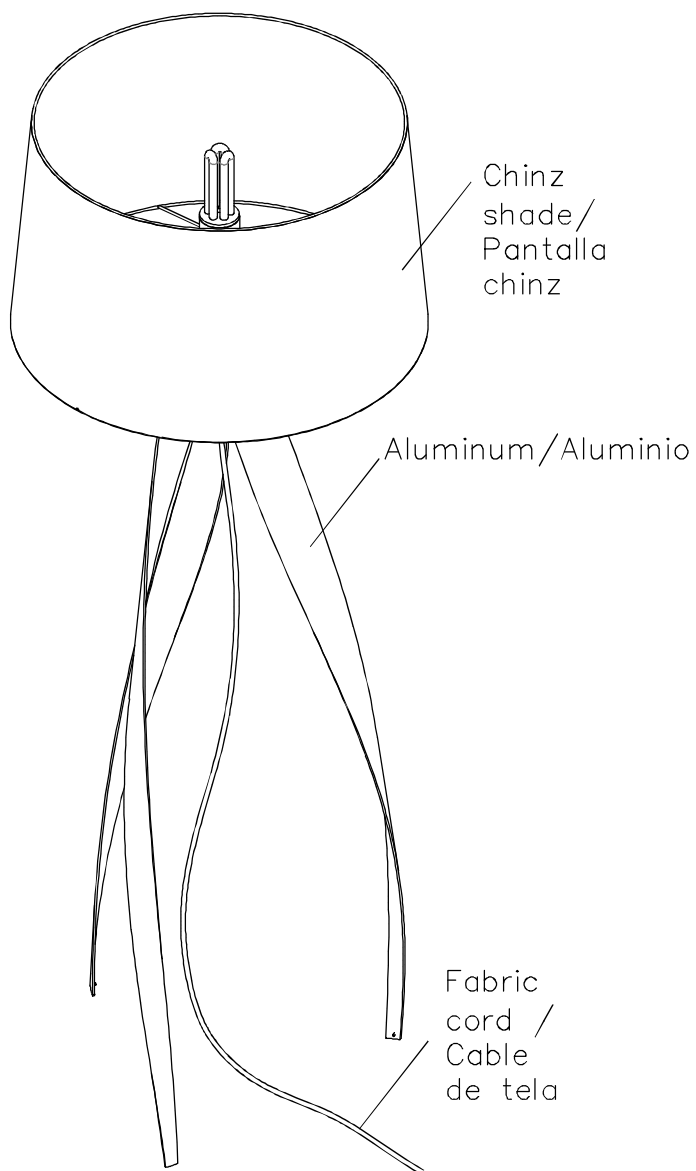
Diam=600mm



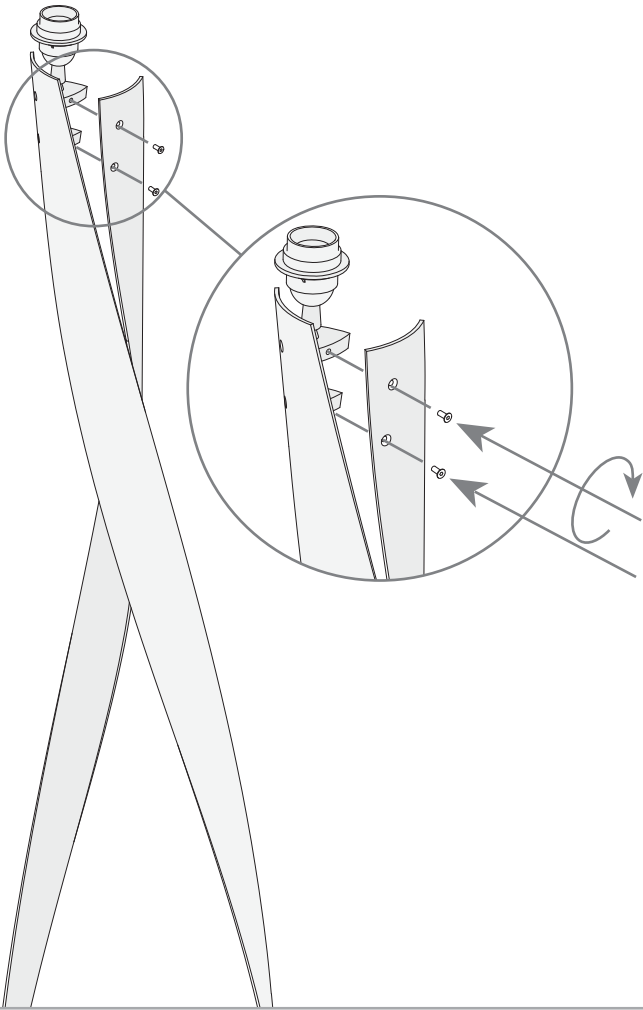
C Halfplanes
 180.0 — 0.0
 270.0 — 90.0

ULOR 37.58 %
 DLOR 23.83 %
 RN 61.20 %

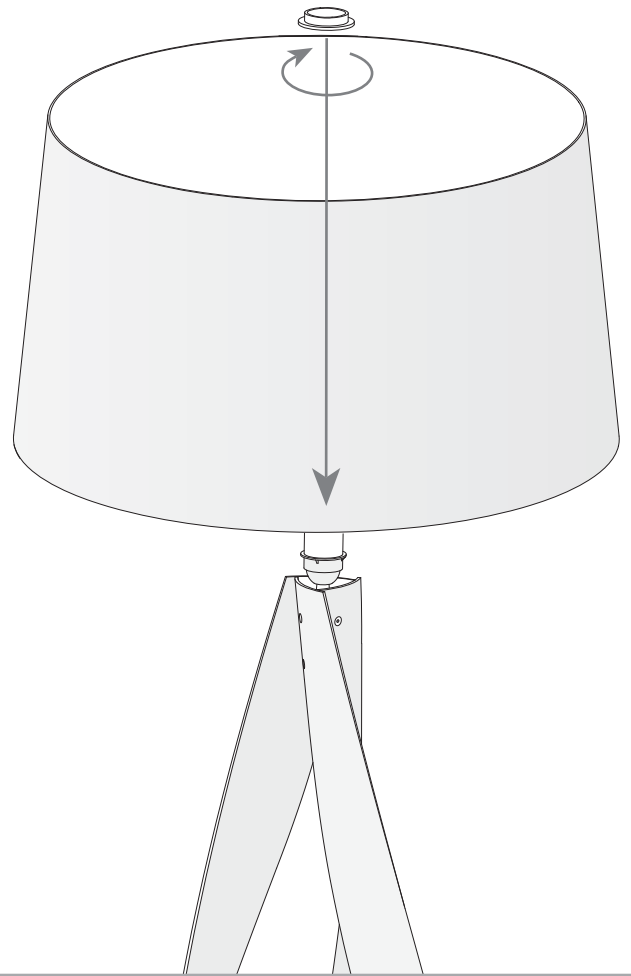




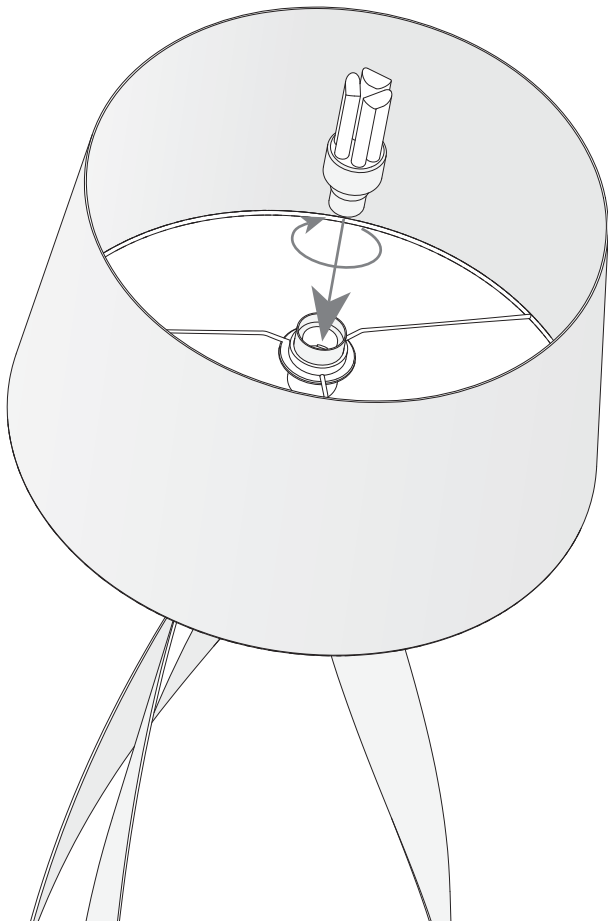
1



2



3



4

