

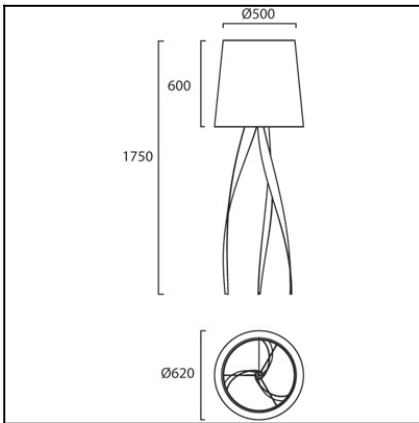
MEDUSA

25-1824-BW-T002

Design by Ramon Valls



The photograph may not match the reference exactly. Please read the product description to identify the finish.



TECHNICAL CHARACTERISTICS

Type:	Floor lamp
IP Protection degrees:	IP20
Lampholder:	1 x E27
Power (W):	E27 30
Total power consumption (W):	30
Voltage / Frequency:	220-240V/50-60Hz
Warranty (Years):	2
Units per box:	1
Net Weight (Kg):	3.29
EAN:	0,00

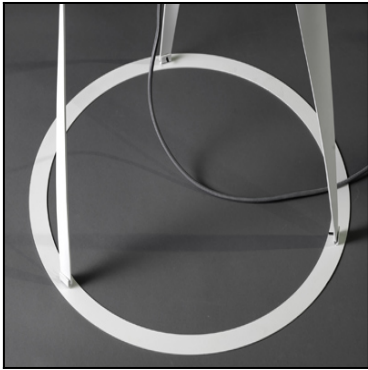


MATERIALS / FINISHES

Structure material:	Aluminium	Diffuser material:	Fabric shade
Structure finish:	Matt white	Diffuser finish:	Grey

[Download photometric file .ldt / .ies](#)

71-1759-BW-BW



Structure material:

Steel

Structure finish:

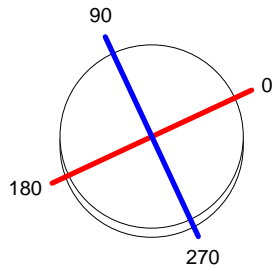
Matt white

IP20

Luminaire		Measur.		Lamp	
Code	25-1824-BW-T002	Code	25-1824-BW-T002	Code	DLX EL FCY 18W827E27
Name	Pie ESTRUC 18W TC N193 T002	Name	Pie ESTRUC 18W TC N193 T002	Number	1
Line	- LEDS-C4	Date	22-07-2013	Position	Universal
Efficiency	49.03%	Coordinate system	CG	Total Flux	1100.00 lm
Maximum value	121.85 cd	Position	C=0.00 G=140.00	Asymmetrical	
Round Luminaire	Diam.	620 mm	Height	600 mm	
Round Luminous Area	Diam.	620 mm	Height	600 mm	
Horizontal Luminous Area	0.301907 m2	Emitting area on Plane 180°		0.372000 m2	
Emitting area on Plane 0°	0.372000 m2	Emitting area on Plane 270°		0.372000 m2	
Emitting area on Plane 90°	0.372000 m2	Glare area at 76°		0.433988 m2	
Symmetry Type	Asymmetrical	Maximum Gamma Angle		180	
Measurement Distance	6.44	Measurement Flux		917.00 lm	
Operator	Asselum T2	Source voltage		230.00 V	
Temperature	25.00 °C	Source current		PRC	
Humidity	51.00 %	Photocell			
Notes					

Luminaire Lamps					
Line	Code	Name	Flux [lm]	Pow. [W]	Q.ty
OSRAM 2006 FB,T,G,C,FS,Q,M,D	DLX EL FCY 18W827E27	DULUX® EL FACILITY 18W/827 E27	1100.00	18.00	1
C.I.E.	48 83 96 44 49	D DIN 5040	C32		
F UTE	0.21 E + 0.28 T	B NBN	BZ 5 / 1 / BZ 4		

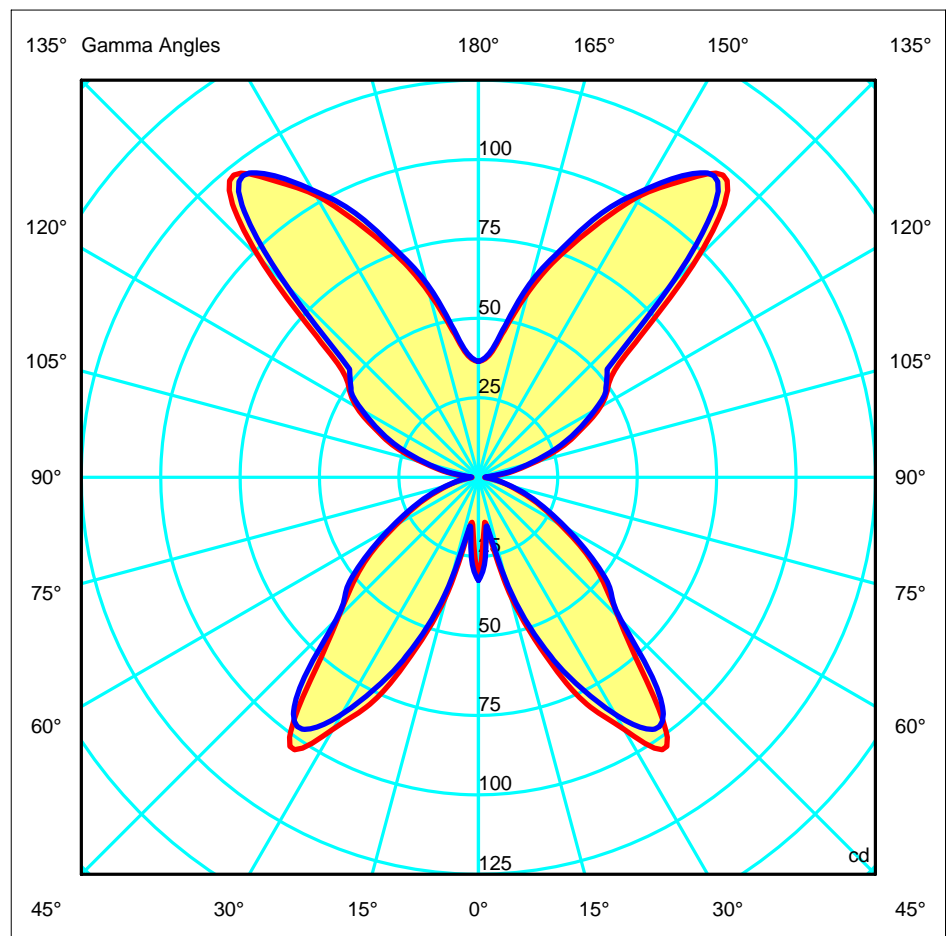
Diam=620mm

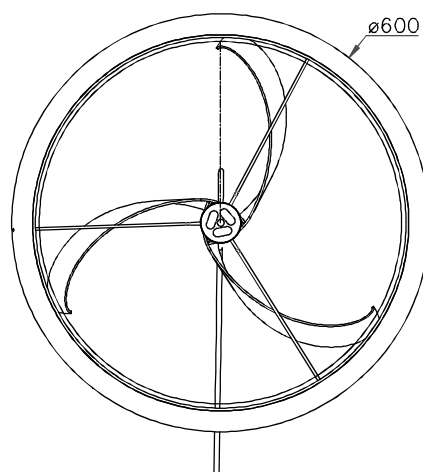
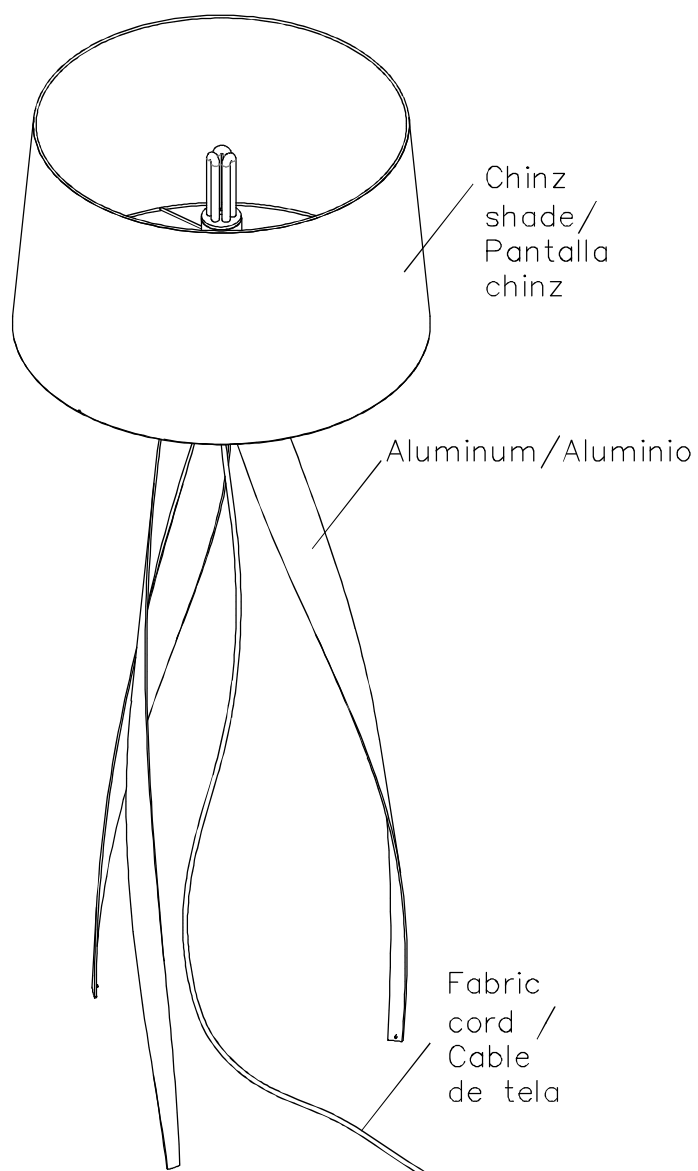


C Halfplanes

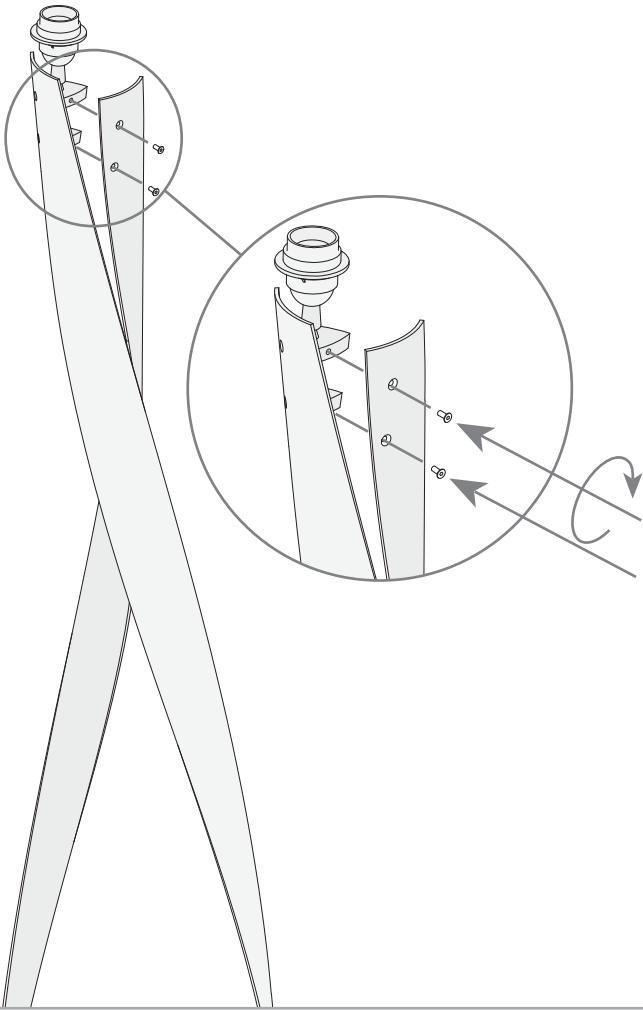
180.0 — 0.0
270.0 — 90.0

ULOR 27.66 %
DLOR 21.37 %
RN 56.41 %

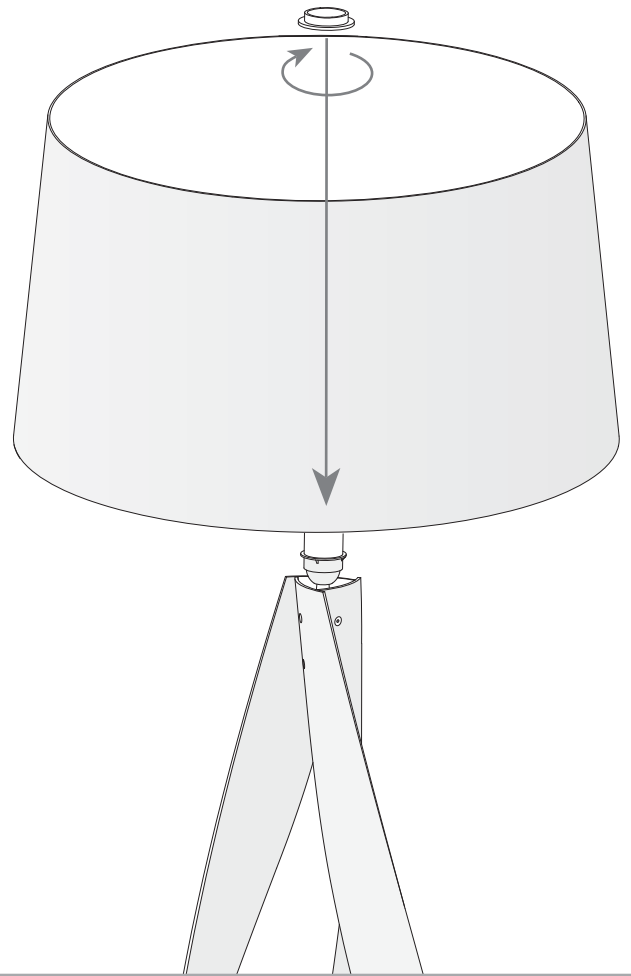




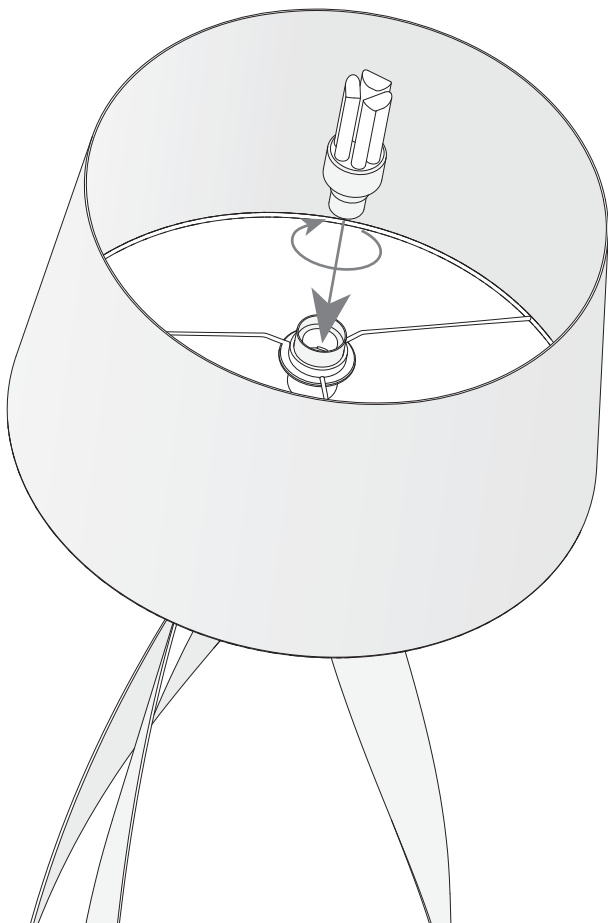
1



2



3



4

