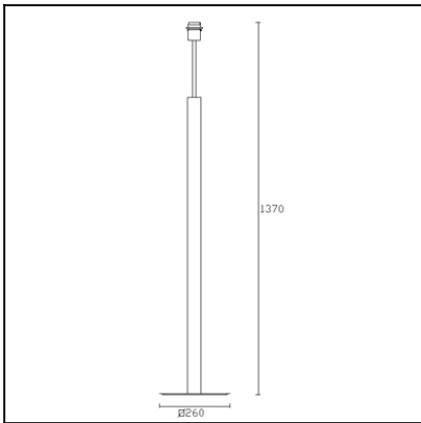




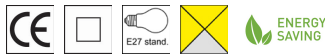
The photograph may not match the reference exactly. Please read the product description to identify the finish.



Download photometric file .ldt /.ies

TECHNICAL CHARACTERISTICS

Type:	Floor lamp
IP Protection degrees:	IP20
Lampholder:	1 x E27
Power (W):	E27 150
Total power consumption (W):	150
Voltage / Frequency:	220-240V/50-60Hz
Warranty (Years):	2
Units per box:	1
Net Weight (Kg):	4.66
EAN:	8435381401238,00



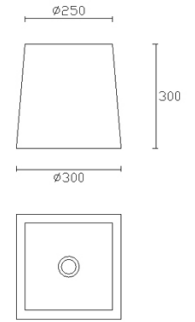
MATERIALS / FINISHES

Structure material:	Steel Wenge-colored finish
Structure finish:	Chrome

PAN-181-14


Structure material: Steel
Structure finish: White

Diffuser material: Fabric shade
Diffuser finish: White

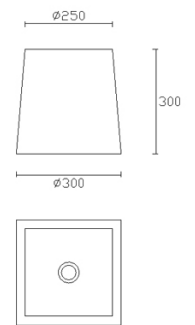


IP20

PAN-181-BY


Structure material: Steel
Structure finish: White

Diffuser material: Fabric shade
Diffuser finish: Sandblasted

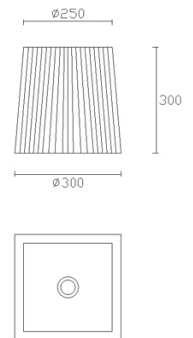


IP20

PAN-189-20


Structure material: Steel
Structure finish: White

Diffuser material: Fabric shade
Diffuser finish: Beige

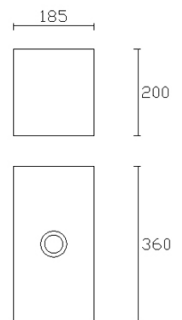


IP20

PAN-182-BY


Structure material: Steel
Structure finish: White

Diffuser material: Fabric shade
Diffuser finish: Sandblasted

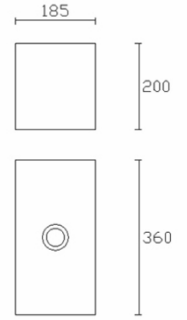


IP20

PAN-182-14



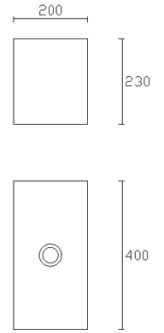
Structure material: Steel
Structure finish: White
Diffuser material: Fabric shade
Diffuser finish: White



PAN-183-BY

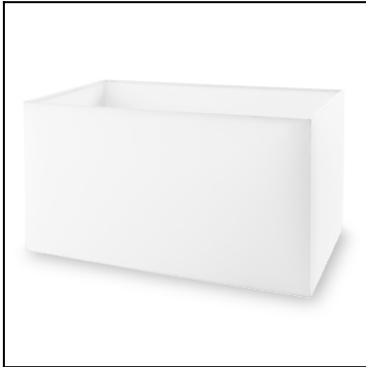


Structure material: Steel
Structure finish: White
Diffuser material: Fabric shade
Diffuser finish: Sandblasted

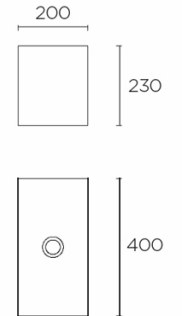


IP20

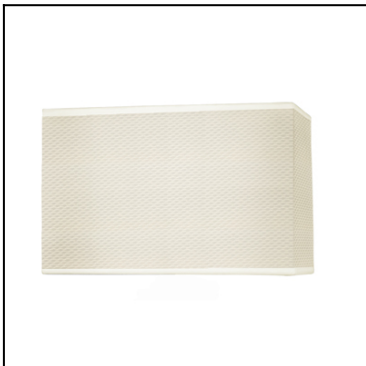
PAN-183-14



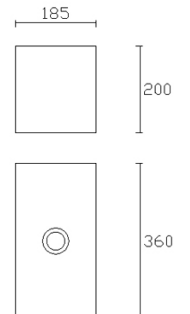
Structure material: Steel
Structure finish: White
Diffuser material: Fabric shade
Diffuser finish: White



PAN-182-T001

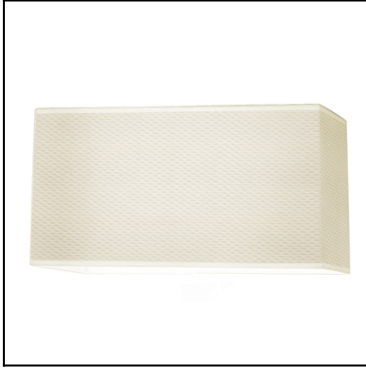


Structure material: Steel
Structure finish: White
Diffuser material: Fabric shade
Diffuser finish: Beige



IP20

PAN-183-T001



Structure material:

Steel

Structure finish:

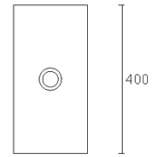
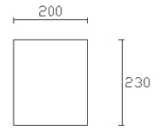
White

Diffuser material:

Fabric shade

Diffuser finish:

Beige



PAN-220-V7



Structure material:

Steel

Structure finish:

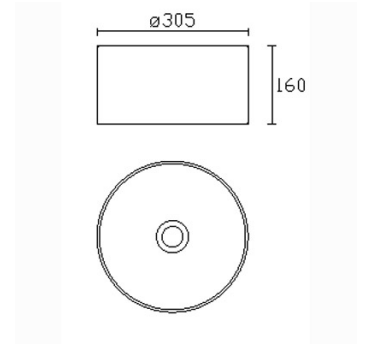
Brown

Diffuser material:

PVC

Diffuser finish:

Antique copper

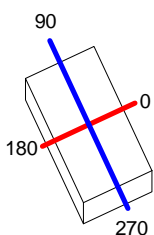


IP20

Luminaire		Measur.		Lamp		
Code	25-2825-21-82	Code	25-2825-21-82	Code	PL ELECT pro23W/827	
Name	Pie DEVON 23W PL E27 tela	Name	Pie DEVON 23W PL E27 tela	Number	1	
Line	Eulumdat	Date	27-09-2010	Position		
Efficiency	84.81%	Coordinate system	CG	Total Flux	1500.00 lm	
Maximum value	189.78 cd	Position	C=60.00 G=135.00	Asymmetrical		
Rectangular Luminaire	Length	470 mm	Width	260 mm	Height	1560 mm
Rectangular Luminous Area	Length	470 mm	Width	260 mm	Height	260 mm
Horizontal Luminous Area	0.122200 m2	Emitting area on Plane 180°		0.122200 m2		
Emitting area on Plane 0°	0.122200 m2	Emitting area on Plane 270°		0.067600 m2		
Emitting area on Plane 90°	0.067600 m2	Glare area at 76°		0.148133 m2		
Symmetry Type	Asymmetrical	Maximum Gamma Angle		180		
Measurement Distance	0.00	Measurement Flux		1500.00 lm		
Operator	Asselum	Source voltage				
Temperature	25.00 °C	Source current				
Humidity	60.00 %	Photocell				
Notes						

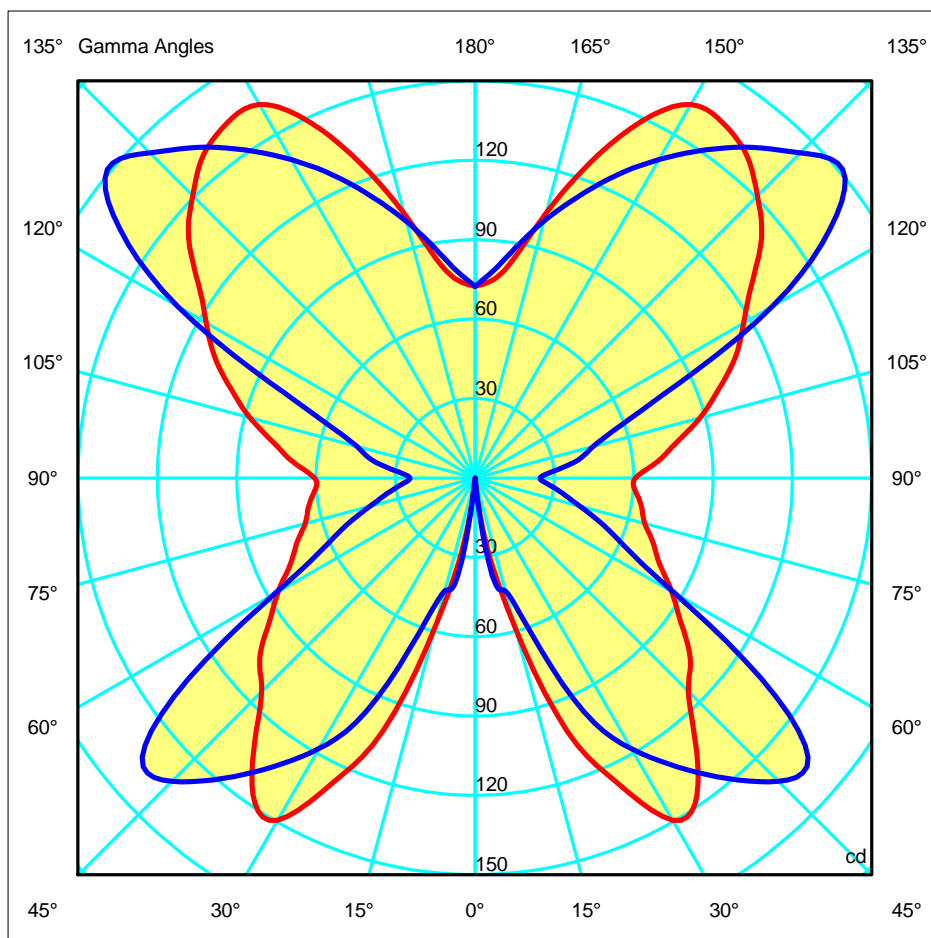
Luminaire Lamps					
Line	Code	Name	Flux [lm]	Pow. [W]	Q.ty
Eulumdat	PL ELECT pro23W/827	PL ELECT pro23W/827 - 23.00 W	1500.00	23.00	1
C.I.E.	30 66 86 45 85	D DIN 5040	C12		
F UTE	0.38 H + 0.46 T	B NBN	BZ 7 / 0.8 / BZ 6		

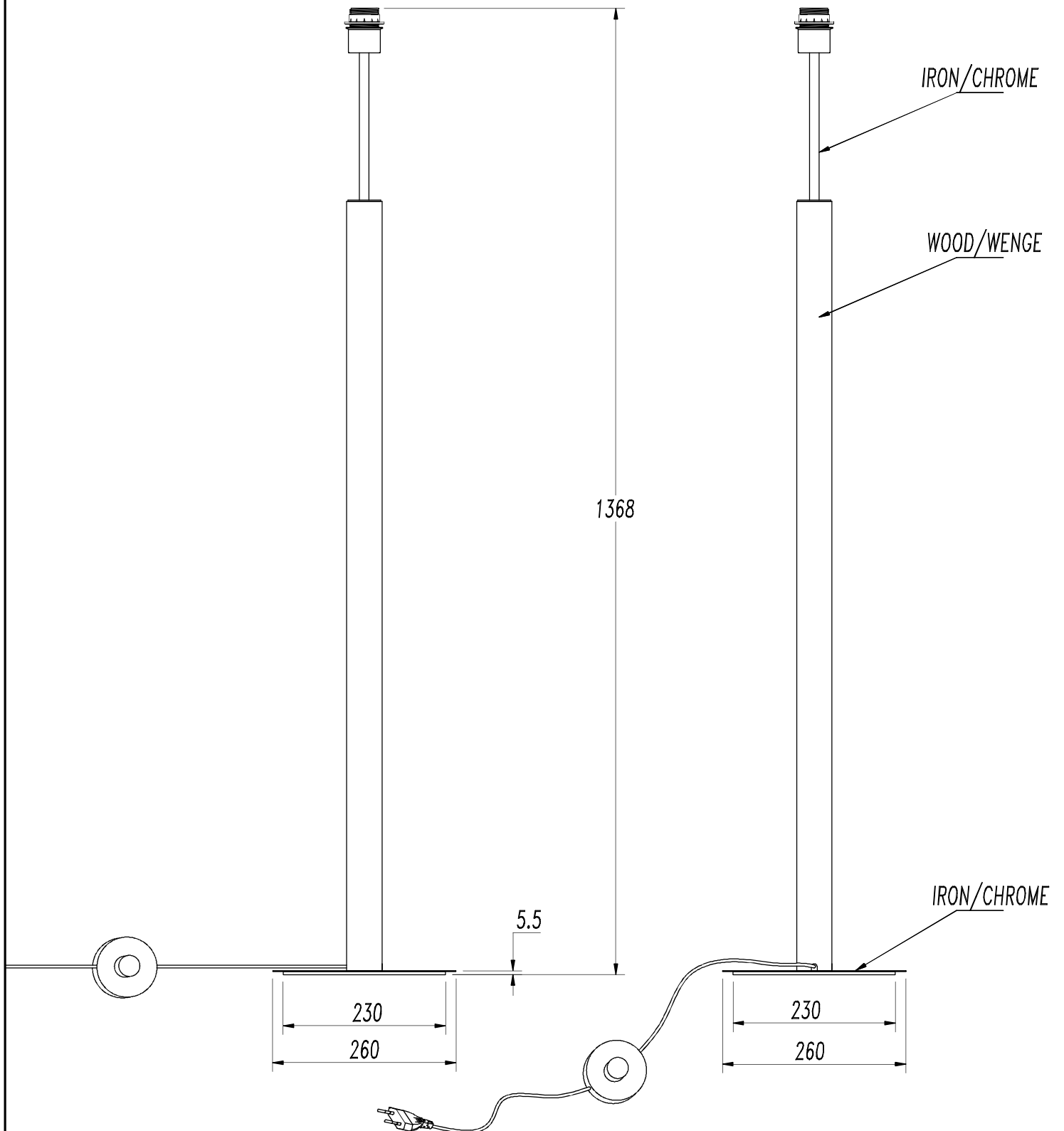
470mm x 260mm



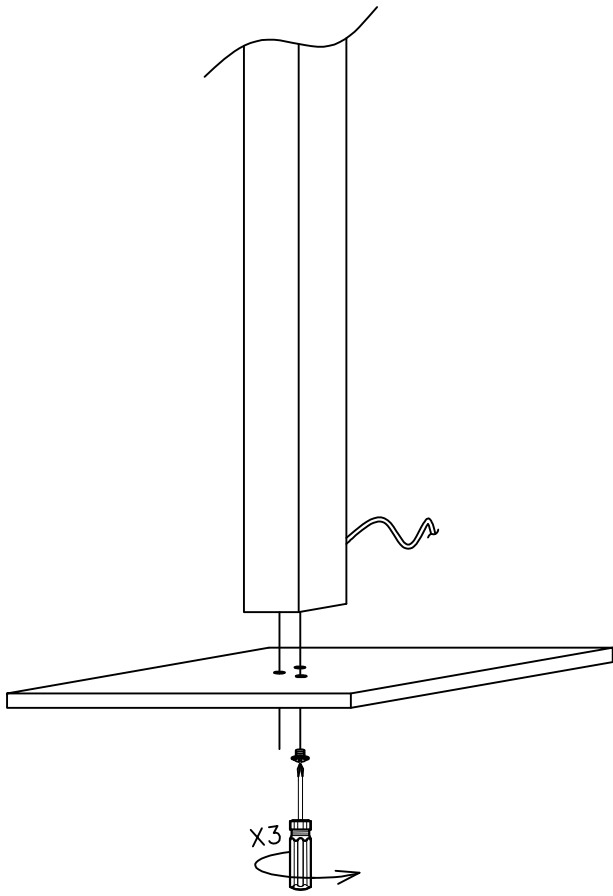
C Halfplanes
 180.0 — 0.0
 270.0 — 90.0

ULOR 46.48 %
 DLOR 38.33 %
 RN 54.80 %

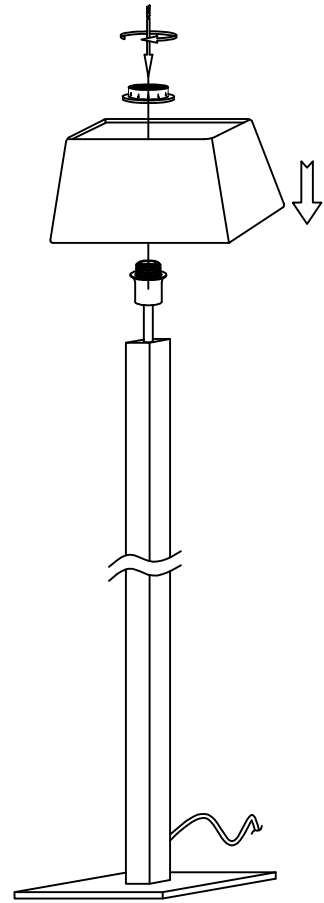




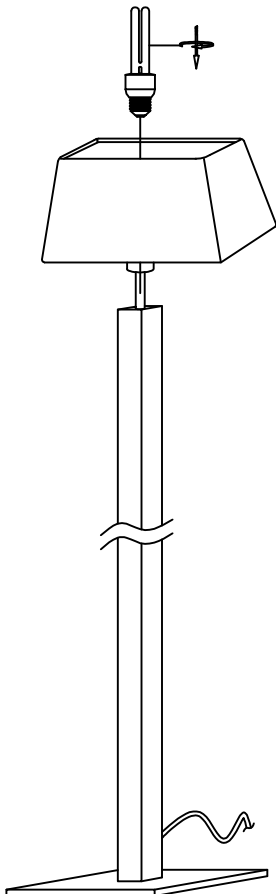
1



2



3



4

