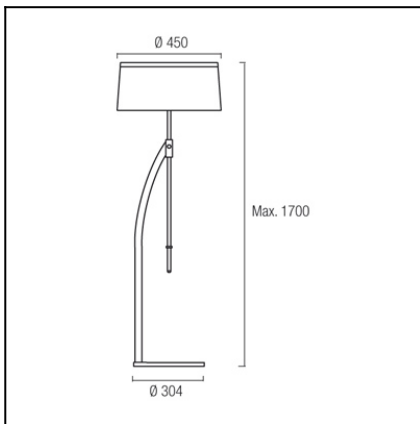




The photograph may not match the reference exactly. Please read the product description to identify the finish.



TECHNICAL CHARACTERISTICS

Type:	Floor lamp
IP Protection degrees:	IP20
Lampholder:	3 x E27
Power (W):	E27 16
Total power consumption (W):	48
Voltage / Frequency:	230V/50-60Hz
Warranty (Years):	2
Units per box:	1
Net Weight (Kg):	7.92
EAN:	8435111073308,00
Stability:	>15°



MATERIALS / FINISHES

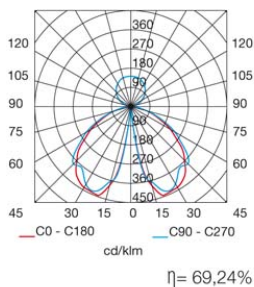
Structure material: Steel

Diffuser material: Fabric shade
Acrylic

Structure finish: Chrome
Urban grey

Diffuser finish: Black
Bright opal

25-4339-21-05
PL E-27 3 x 14W

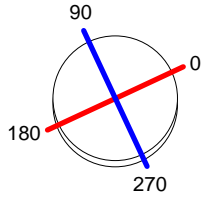


Download photometric file .ldt / .ies

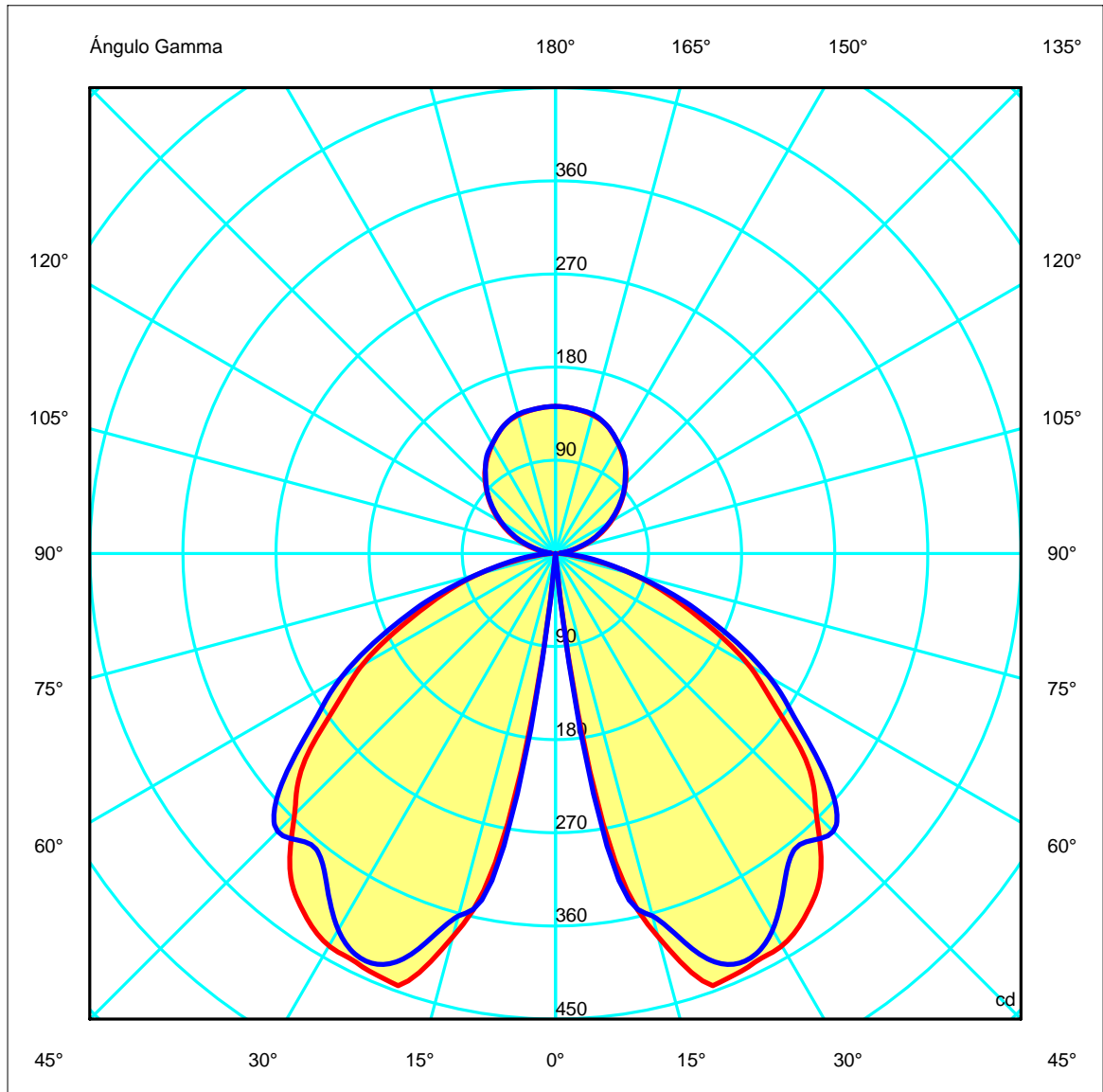
Luminaria		Ensayo		Lámpara	
Código	25-4339-21-05	Código	25-4339-21-05	Código	PL ELEC14W/865 E27
Nombre	Pie 3x14W fluor E27 tela negra	Nombre	Pie 3x14W fluor E27 tela+ opal	Número	3
Familia	- LEDS-C4	Fecha	10-09-2010	Posición	Universal
Eficiencia	69.24%	Sist. de Coorden.	C-G	Flujo Total	2565.00 lm
Valor Máximo	460.59 cd	Posición	C=30.00 G=25.00	Bisimétrico	

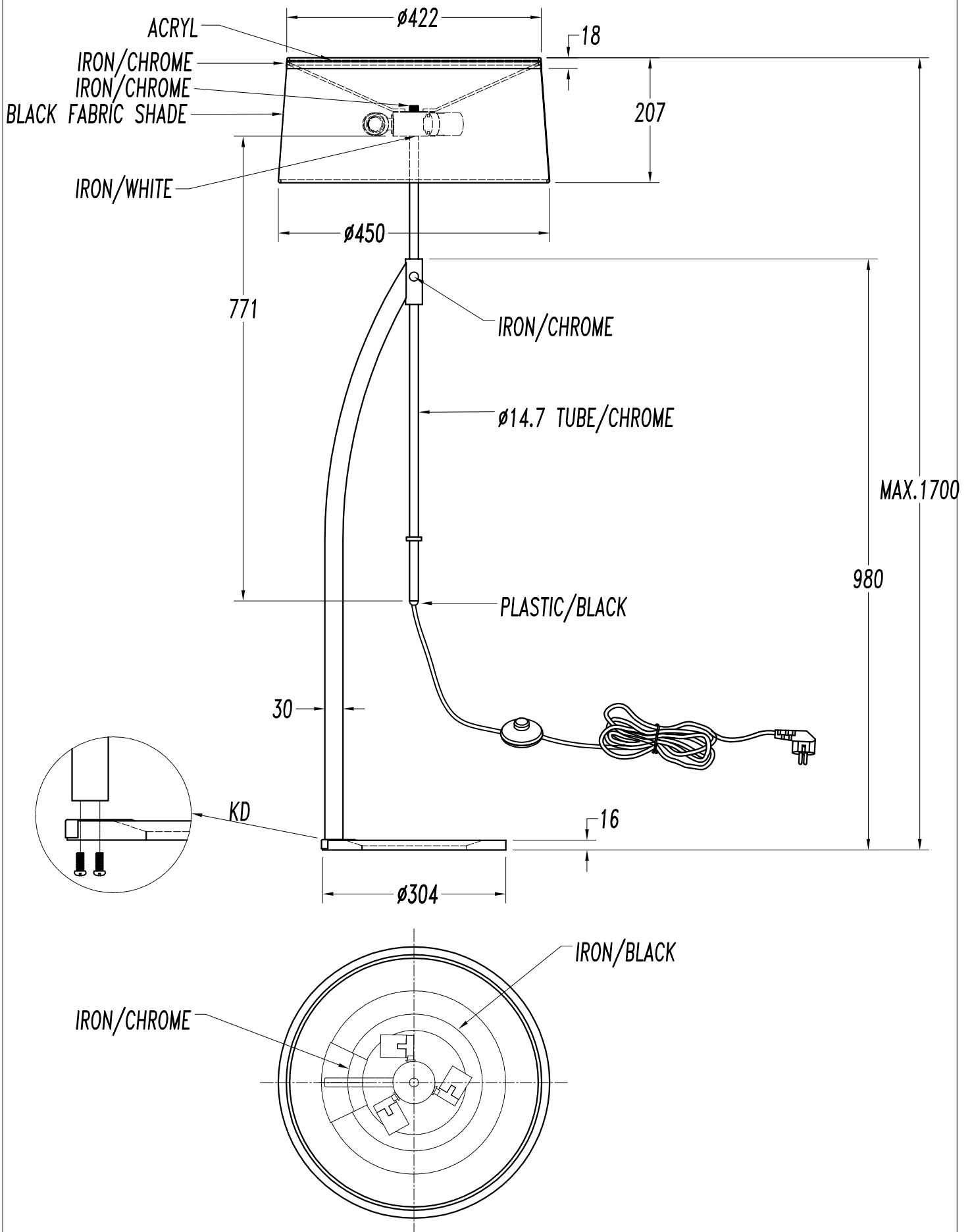
Diam=450mm

Semiplanos C



180.0 ——— 0.0
270.0 ——— 90.0



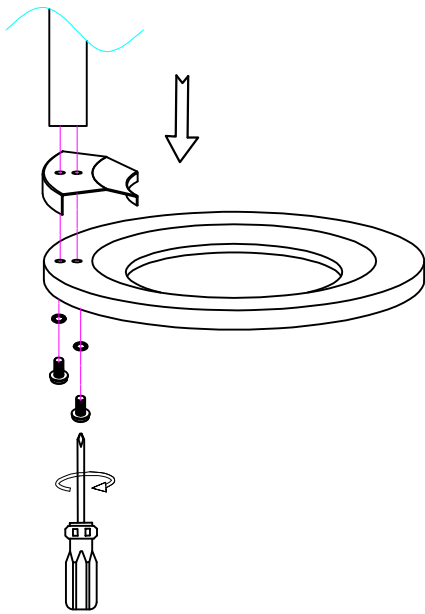


ERROR: syntaxerror
OFFENDING COMMAND: --nostringval--

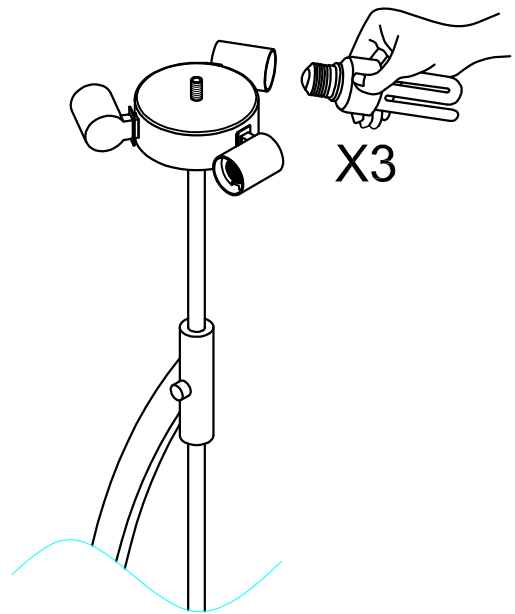
STACK:

/Title
()
/Subject
(D:20100430101559+02'00')
/ModDate
()
/Keywords
(PDFCreator Version 0.9.5)
/Creator
(D:20100430101559+02'00')
/CreationDate
(mribera)
/Author
-mark-

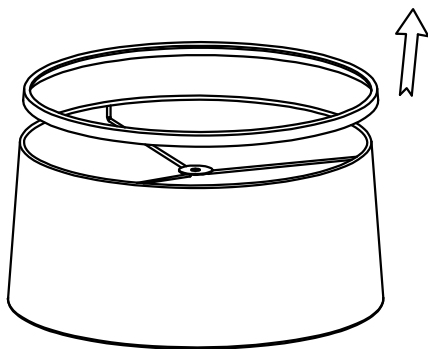
1



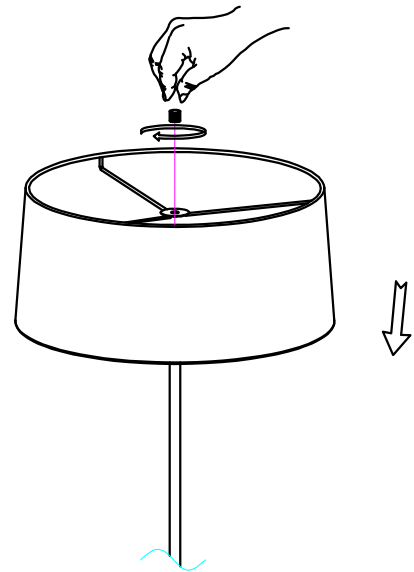
2



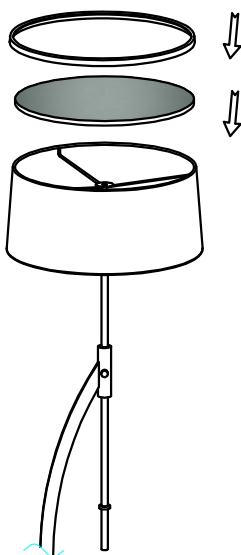
3



4



5



6

