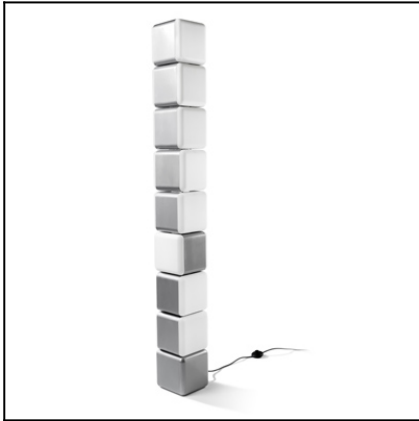
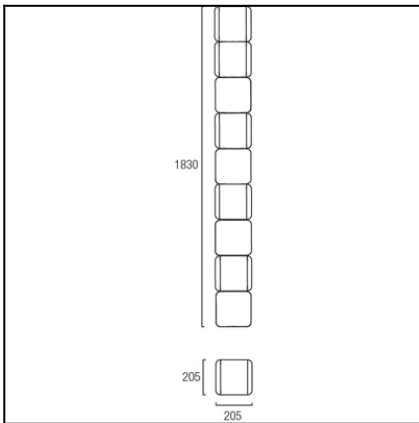


**Design by Josep Patsí**


The photograph may not match the reference exactly. Please read the product description to identify the finish.


[Download photometric file .ldt / .ies](#)
**TECHNICAL CHARACTERISTICS**

Type:	Floor lamp
Adjustable 360° on the vertical axis.	
IP Protection degrees:	IP20
Lampholder:	2 x G5
Power (W):	G5 39W
Total power consumption (W):	77
Voltage / Frequency:	220-240V/50Hz
Warranty (Years):	2
Units per box:	1
Net Weight (Kg):	15.06
EAN:	8435111082034,00


**MATERIALS / FINISHES**
**Structure material:** ABS

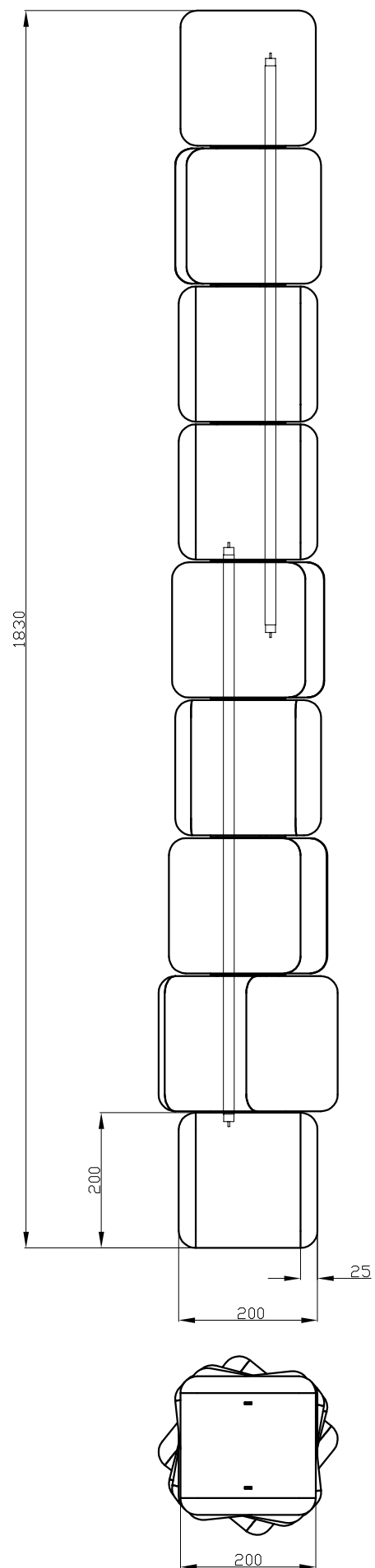
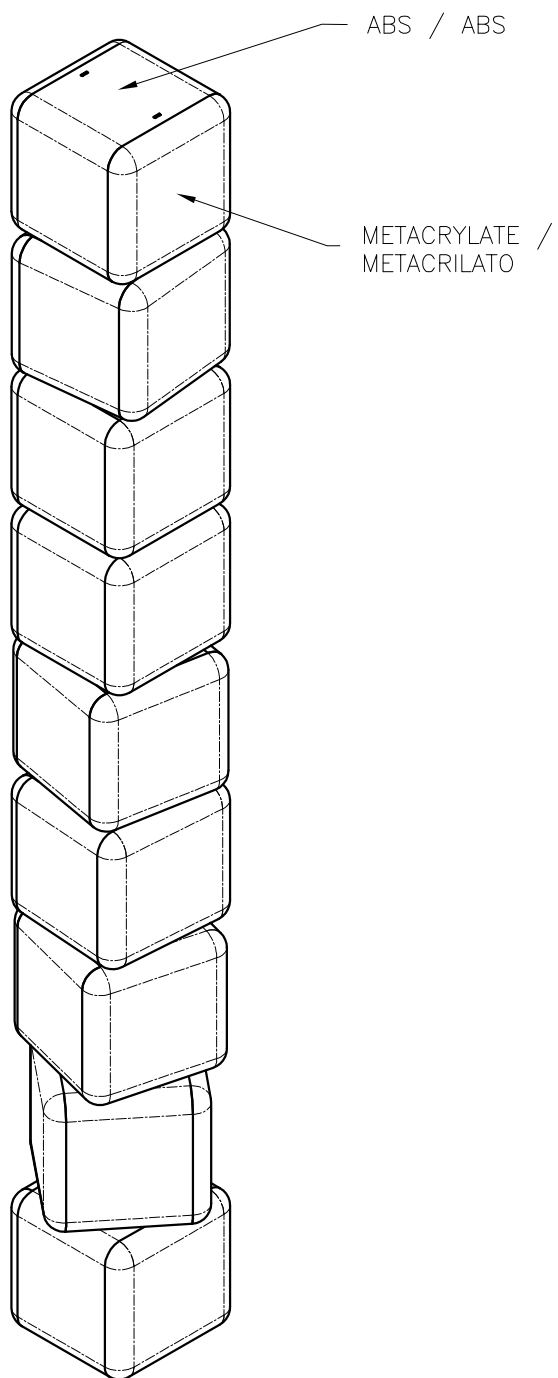
**Diffuser material:** Methacrylate

**Structure finish:** Metallic grey

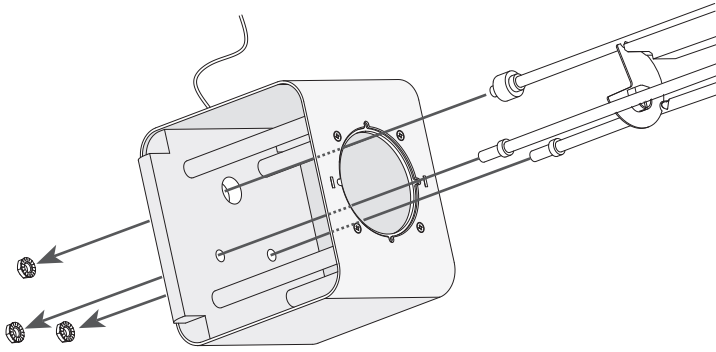
**Diffuser finish:** Opal

**GEAR**

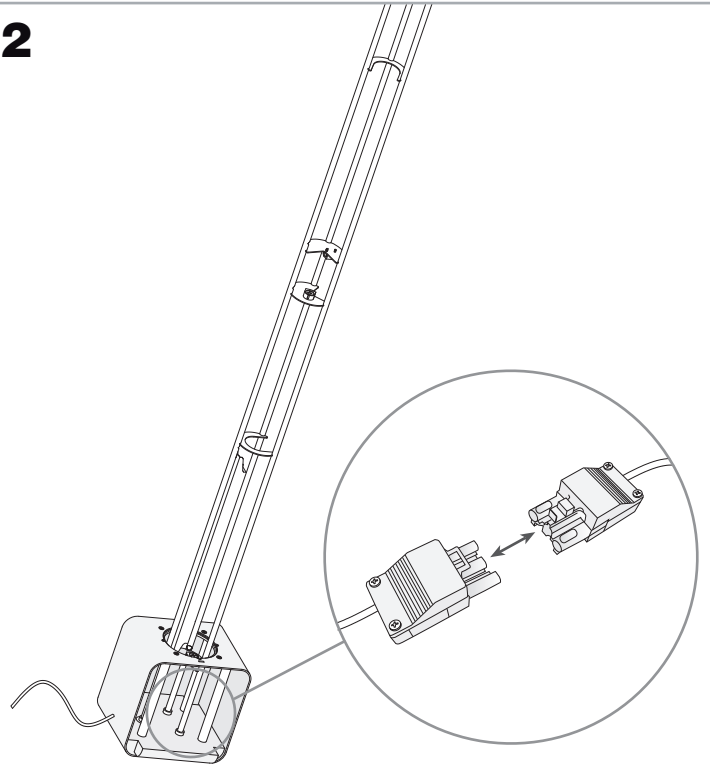
Gear included: Yes, electronic



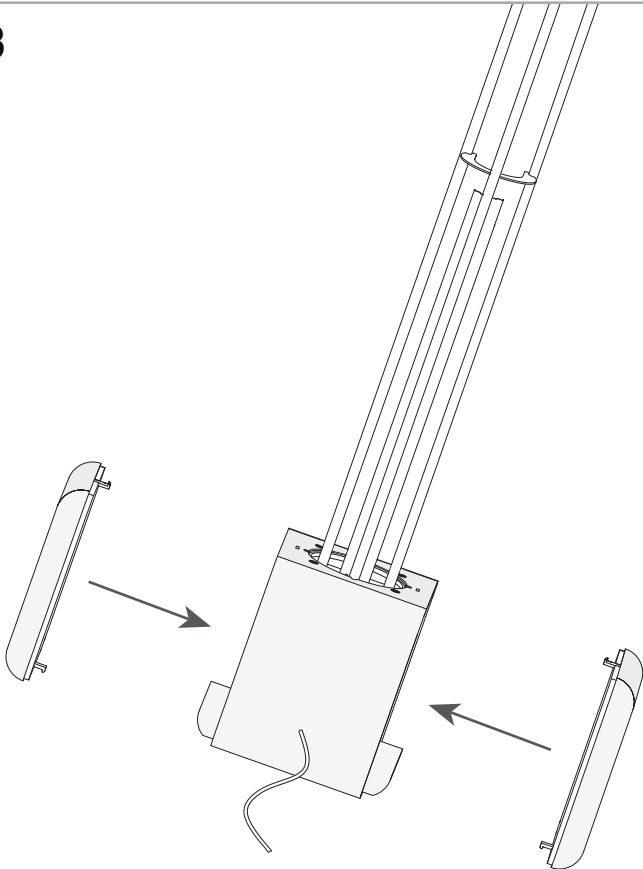
1



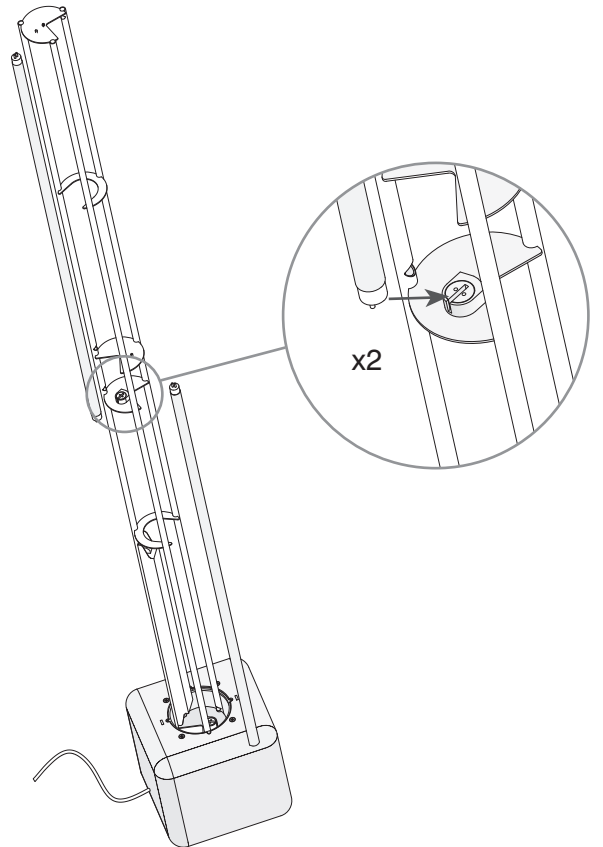
2



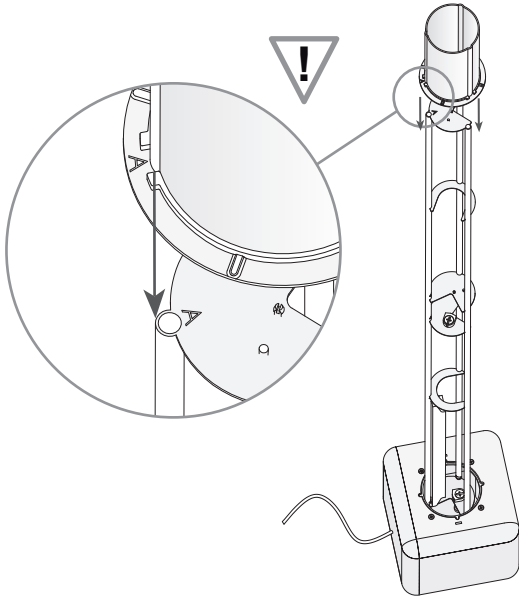
3



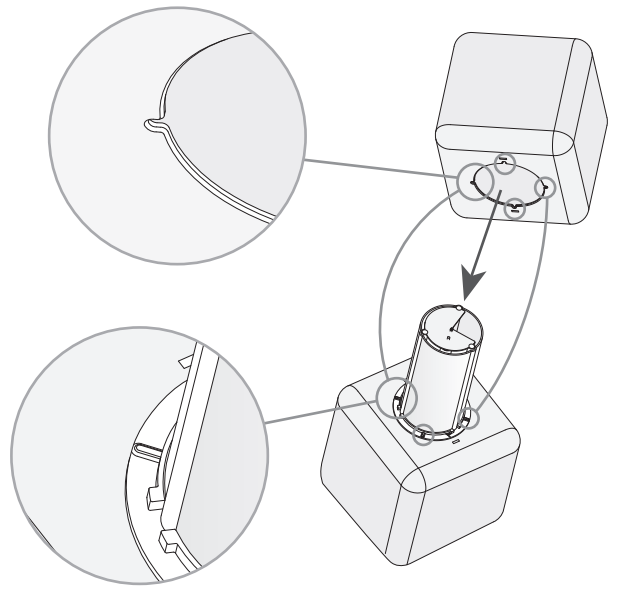
4



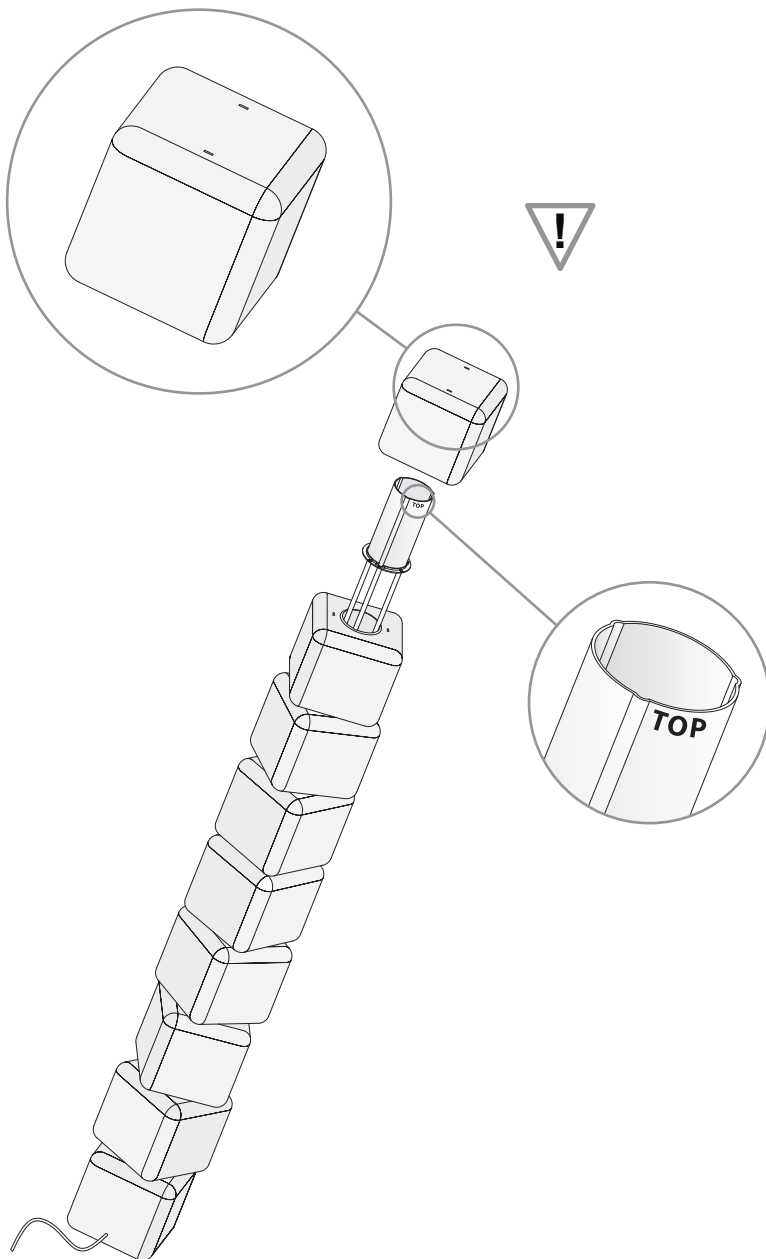
5



6



7



8

