

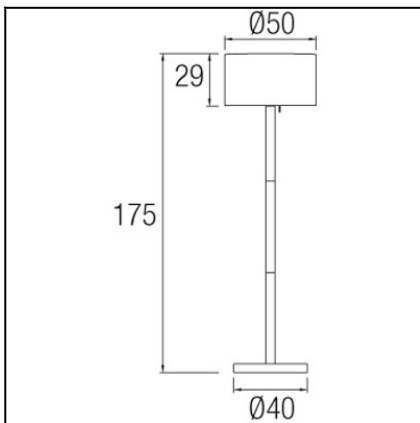
**OUT** 

# SMOOTH

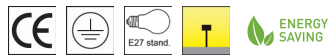
## 25-9614-14-M1

**Design by Francesc Vilaró**


The photograph may not match the reference exactly. Please read the product description to identify the finish.

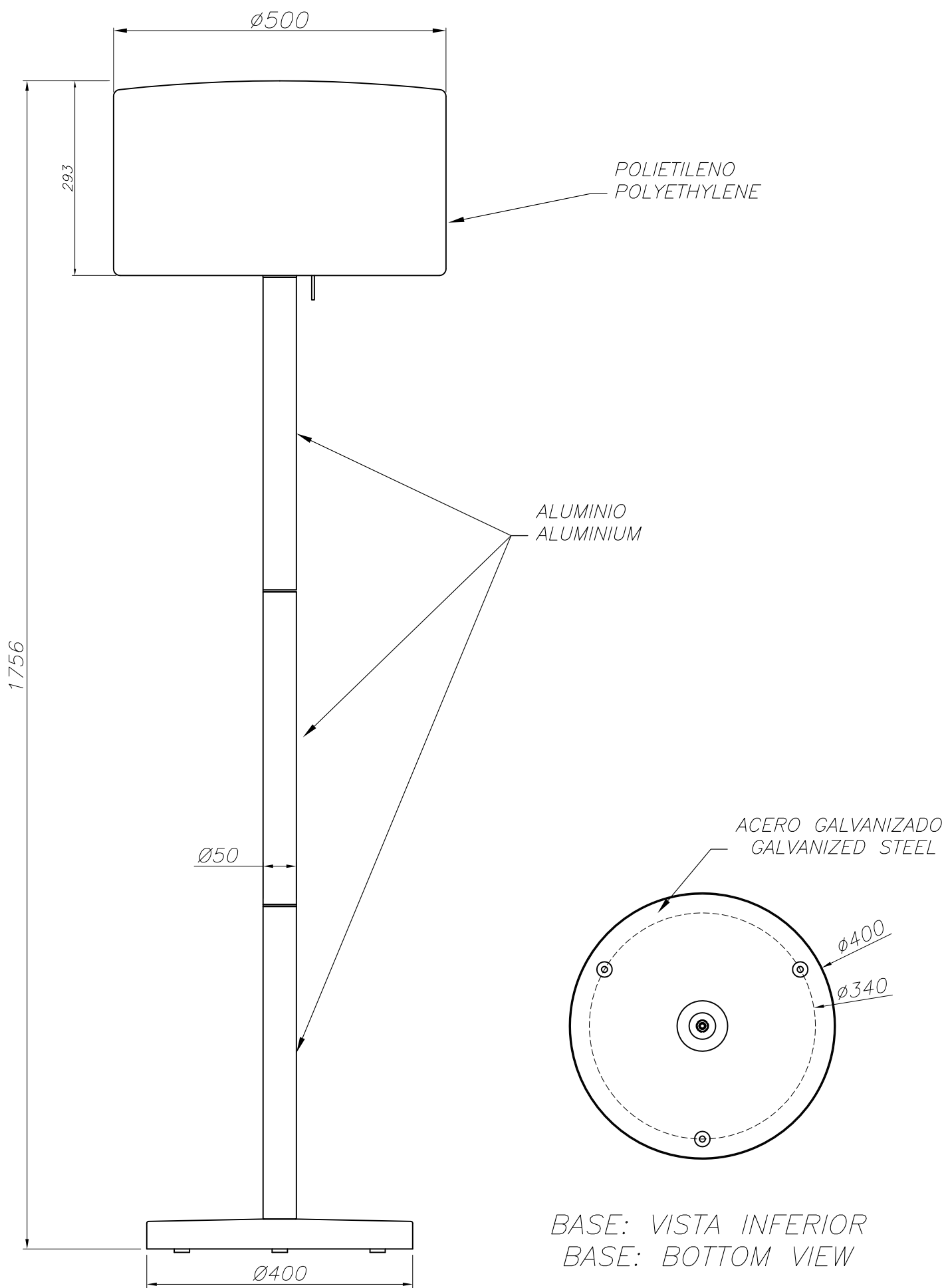

**TECHNICAL CHARACTERISTICS**

|                        |                  |
|------------------------|------------------|
| Type:                  | Floor lamp       |
| IP Protection degrees: | IP44             |
| IK Protection degrees: | IK08             |
| Lampholder:            | 1 x E27          |
| Power (W):             | E27 max. 100W    |
| Voltage / Frequency:   | 220-240V/50-60Hz |
| Warranty (Years):      | 2                |
| Units per box:         | 1                |
| Net Weight (Kg):       | 9                |
| EAN:                   | 8435111091067    |
| Stability:             | >15°             |

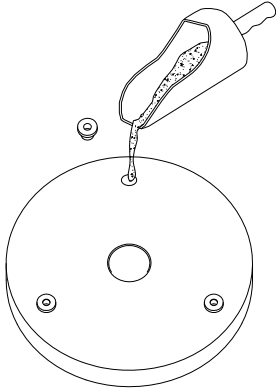

**MATERIALS / FINISHES**

|                            |                       |                           |              |
|----------------------------|-----------------------|---------------------------|--------------|
| <b>Structure material:</b> | High purity aluminium | <b>Diffuser material:</b> | Polyethylene |
| <b>Structure finish:</b>   | White                 | <b>Diffuser finish:</b>   | White        |

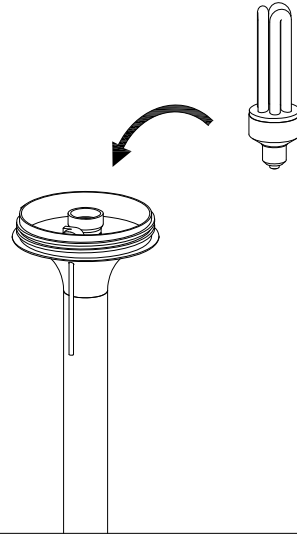
[Download photometric file .ldt / .ies](#)



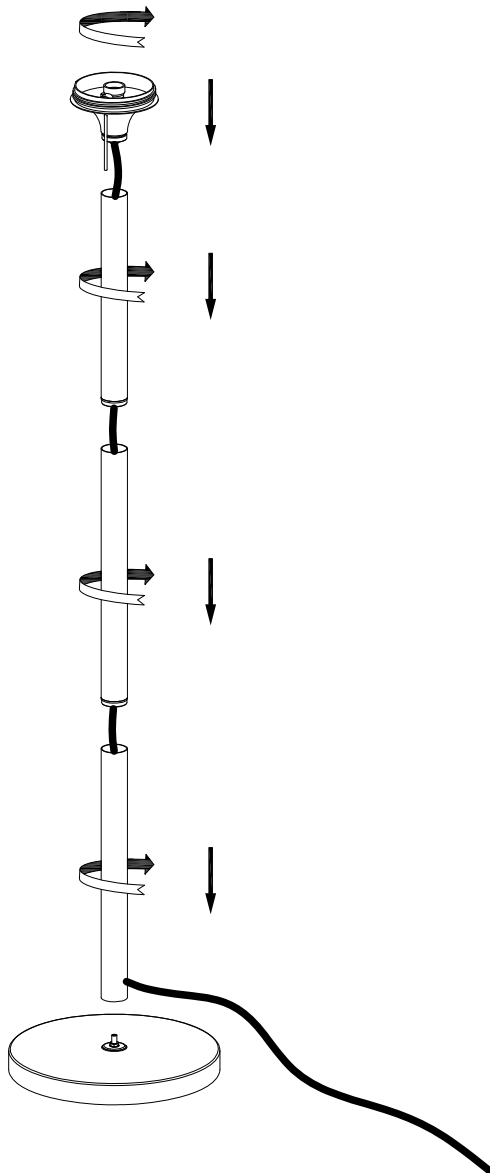
①



③



②



④

