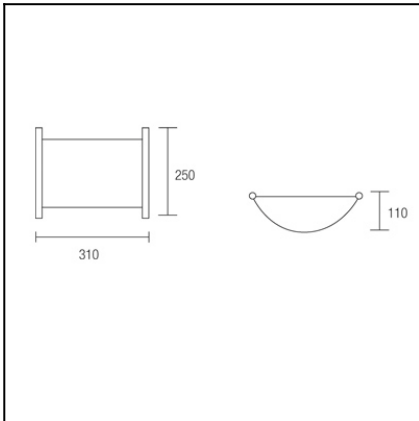




The photograph may not match the reference exactly. Please read the product description to identify the finish.



TECHNICAL CHARACTERISTICS

Type:	Wall fixture
IP Protection degrees:	IP20
Lampholder:	2 x E27
Power (W):	E27 MAX 60W
Total power consumption (W):	120
Voltage / Frequency:	220-240V/50-60Hz
Warranty (Years):	2
Units per box:	6
Net Weight (Kg):	1.275
EAN:	8435071403047,00



MATERIALS / FINISHES

Structure material: Steel
Structure finish: Satin
 nickel

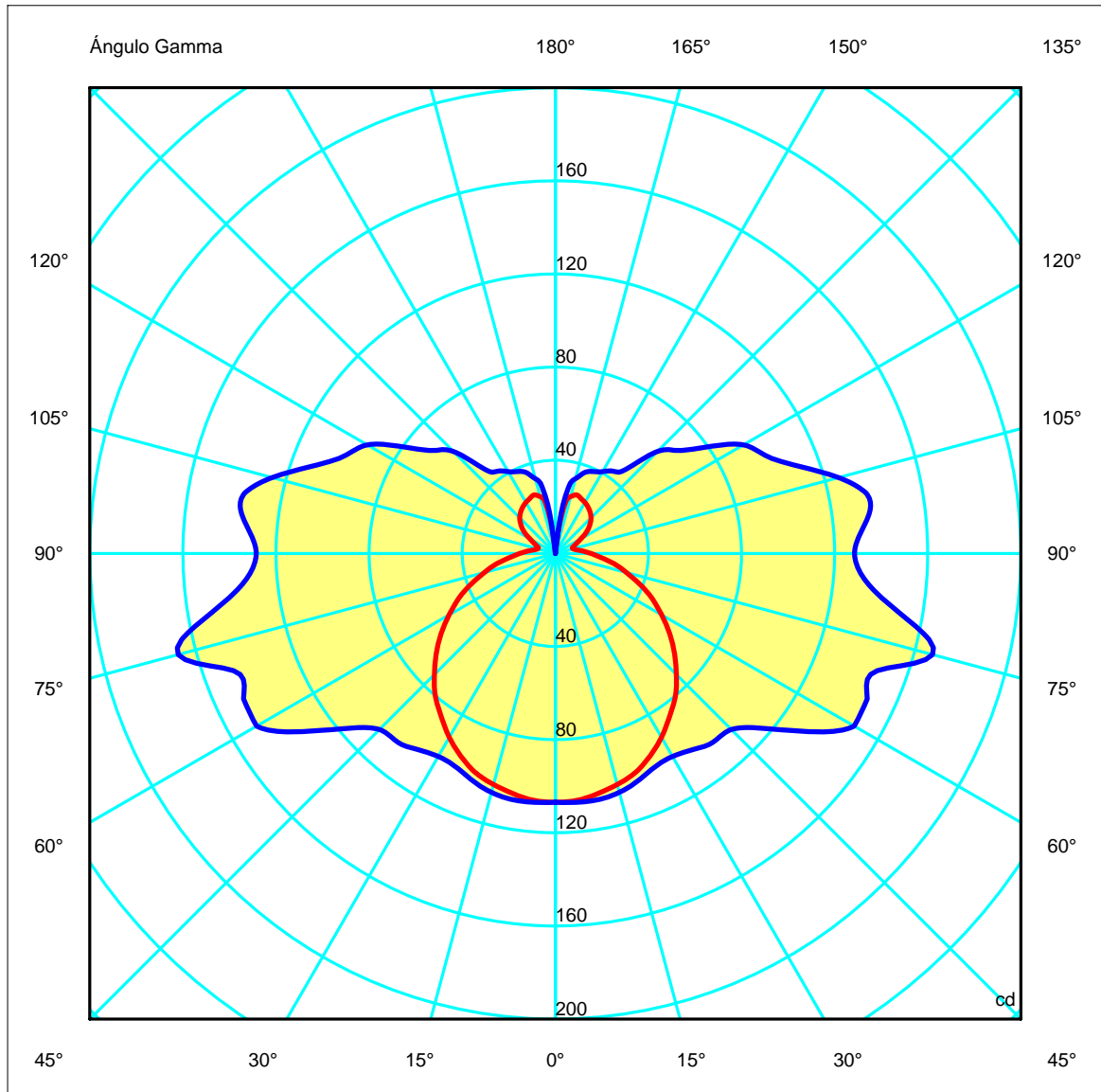
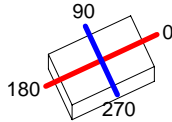
Diffuser material: Glass
Diffuser finish: Satin

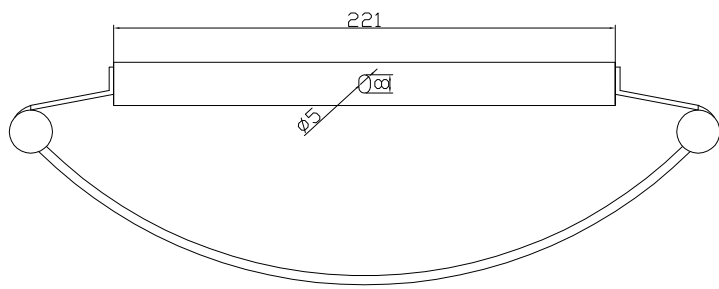
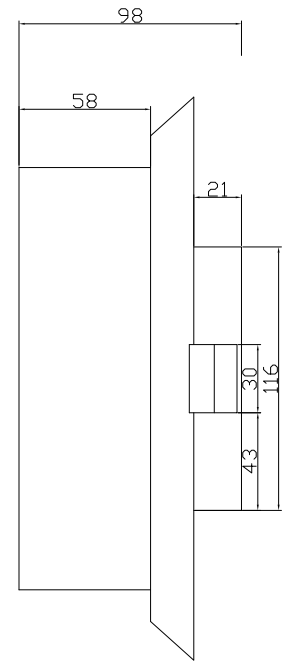
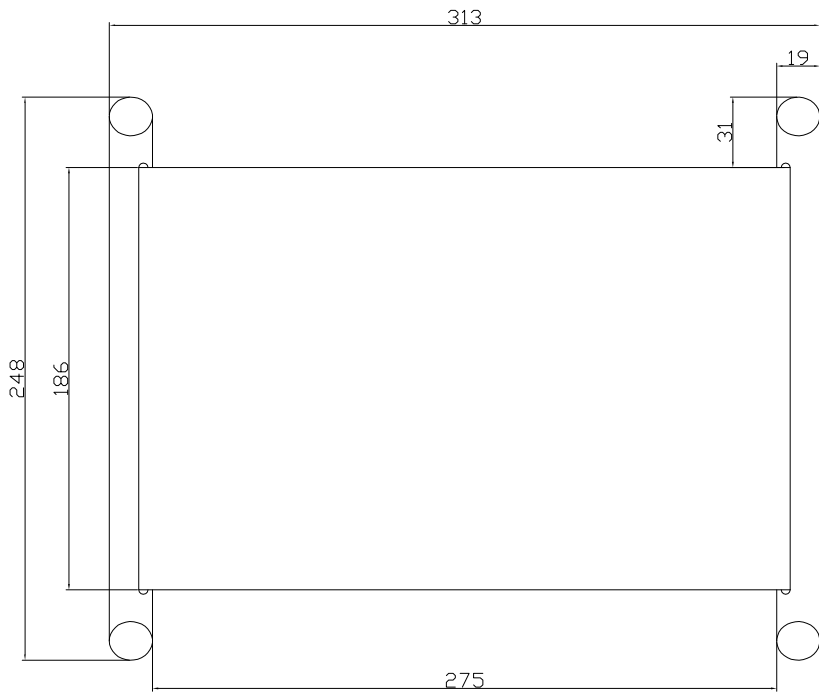
[Download photometric file .ldt /.ies](#)

Luminaria		Ensayo		Lámpara	
Código	274-NS	Código	274-NS	Código	CLAS A CL 60
Nombre	Aplicque NIZA 2x60W E27 opal	Nombre	Aplicque NIZA 2x60W incand. E27	Número	2
Familia	- LEDS-C4	Fecha	26-03-2010	Posición	Universal
Eficiencia	68.33%	Sist. de Coordin.	C-G	Flujo Total	1420.00 lm
Valor Máximo	167.76 cd	Posición	C=90.00 G=75.00	Bisimétrico	

185mm x 300mm

Semiplanos C





MATERIAL OF CONSTITUTION: IRON AND GLASS IN FROSTED

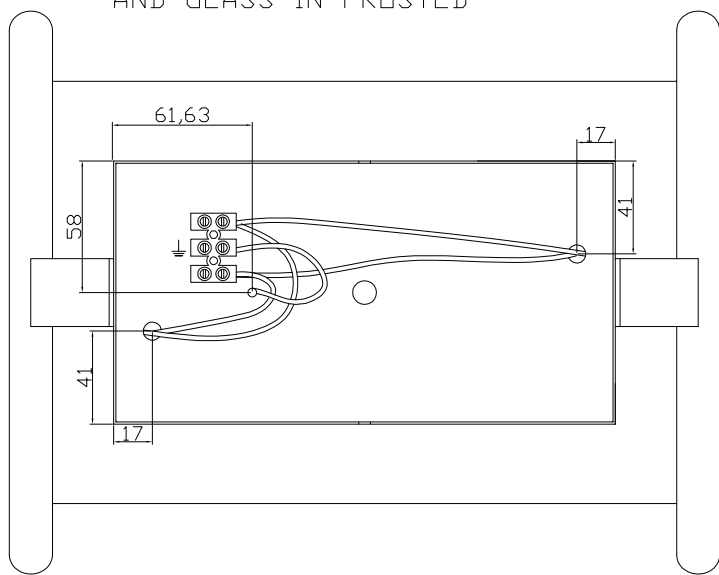
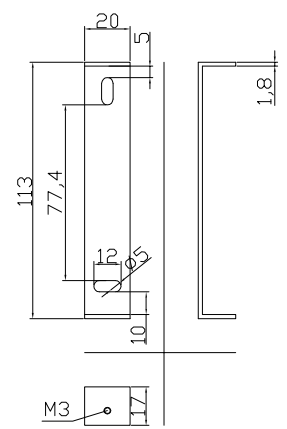
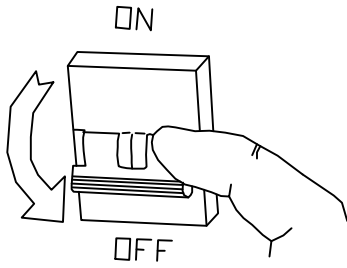


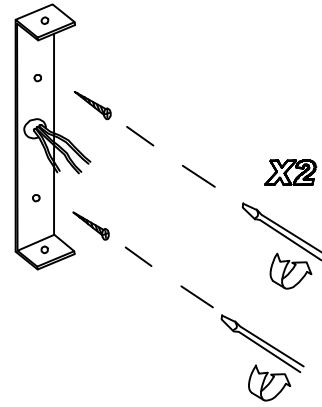
PLATE SET TO WALL



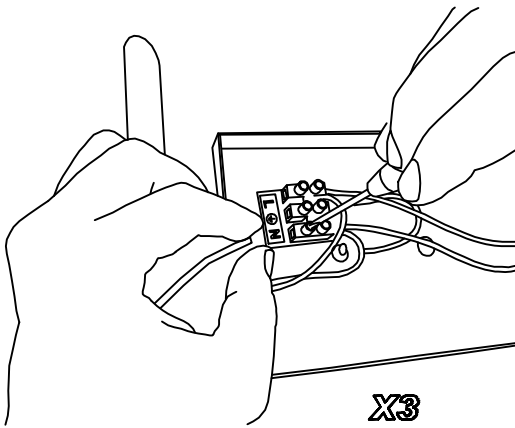
1



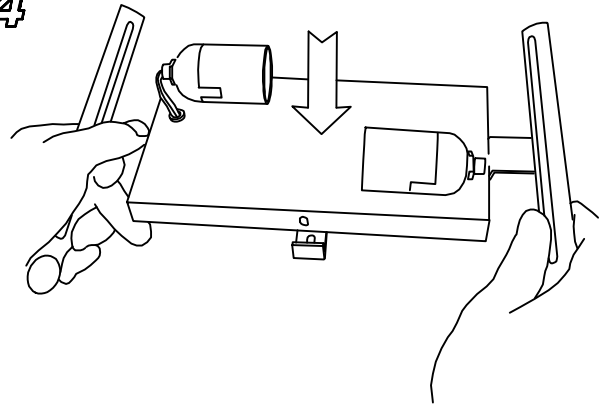
2



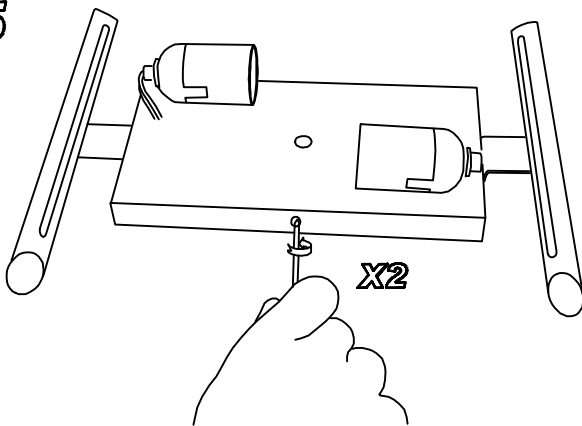
3



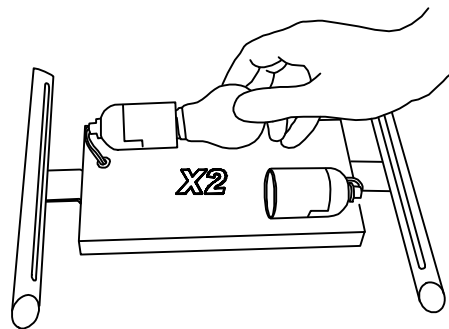
4



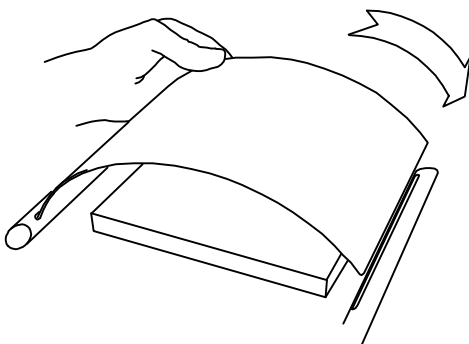
5



6



7



8

