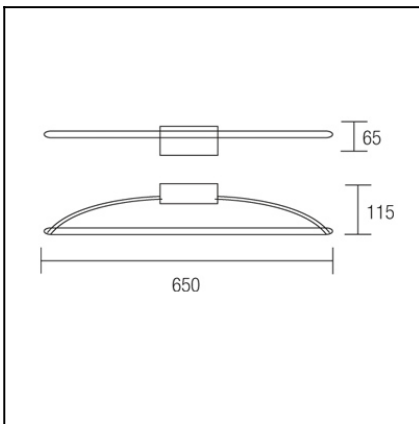




The photograph may not match the reference exactly. Please read the product description to identify the finish.



[Download photometric file .ldt /.ies](#)

TECHNICAL CHARACTERISTICS

| | |
|------------------------|------------------|
| Type: | Ceiling fixture |
| IP Protection degrees: | IP20 |
| Lampholder: | 1 x G5 |
| Power (W): | G5 13W |
| Bulb included: | 1 x G5 13W |
| Voltage / Frequency: | 220-240V/50-60Hz |
| Warranty (Years): | 2 |
| Units per box: | 2 |
| Net Weight (Kg): | 0.78 |
| EAN: | 8435111028070,00 |



MATERIALS / FINISHES

Structure material: Steel

Structure finish: Satin nickel

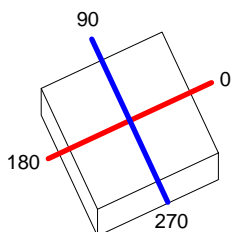
GEAR

Gear included: Yes, electronic

| | | | | | | |
|----------------------------|--------------|-----------------------------|----------------|--------------|------------|------|
| Luminaire | | Measur. | | Lamp | | |
| Code | 280 | Code | 280 | Code | LED | |
| Name | WALL LIGHT | Name | WALL LIGHT | Number | 1 | |
| Line | SIENA WALL | Date | 16-11-2013 | Position | | |
| Efficiency | 30.26% | Coordinate system | CG | Total Flux | 1200.00 lm | |
| Maximum value | 115.71 cd | Position | C=0.00 G=13.00 | Asymmetrical | | |
| Rectangular Luminaire | Length | 1 mm | Width | 1 mm | Height | 1 mm |
| Rectangular Luminous Area | Length | 1 mm | Width | 1 mm | Height | 0 mm |
| Horizontal Luminous Area | 0.000001 m2 | Emitting area on Plane 180° | | 0.000000 m2 | | |
| Emitting area on Plane 0° | 0.000000 m2 | Emitting area on Plane 270° | | 0.000000 m2 | | |
| Emitting area on Plane 90° | 0.000000 m2 | Glare area at 76° | | 0.000000 m2 | | |
| Symmetry Type | Asymmetrical | Maximum Gamma Angle | | 180 | | |
| Measurement Distance | 0.00 | Measurement Flux | | 1200.00 lm | | |
| Operator | | Source voltage | | | | |
| Temperature | 25.00 °C | Source current | | | | |
| Humidity | 60.00 % | Photocell | | | | |
| Notes | | | | | | |

| Line | | Code | | Luminaire Lamps | | Flux [lm] | Pow. [W] | Q.ty |
|------------|-----------------|------|--|--------------------------|------|-----------|----------|------|
| IESNA-1995 | | LED | | Name T5-14W - 11.70 W | | 1200.00 | 11.70 | 1 |
| C.I.E. | 45 74 91 92 30 | | | D DIN 5040 | A31 | | | |
| F UTE | 0.28 E + 0.02 T | | | B NBN | BZ 5 | | | |

1mm x 1mm



C Halfplanes

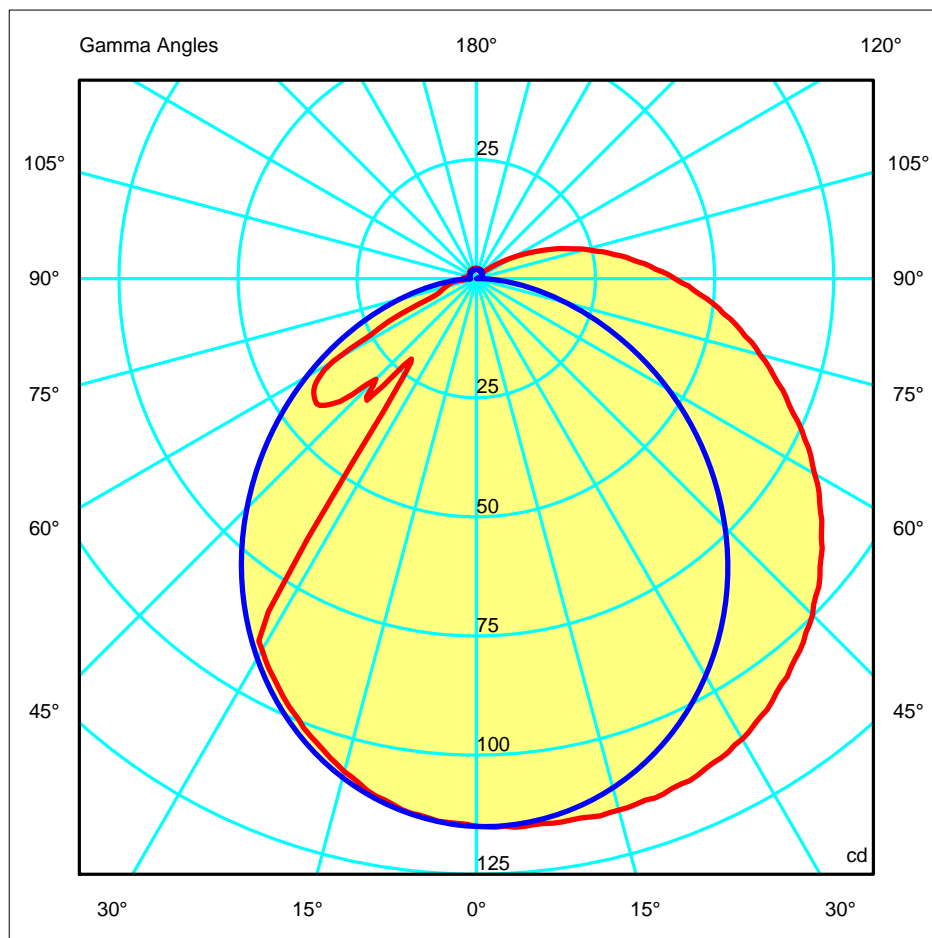
180.0 — 0.0 (Red line)

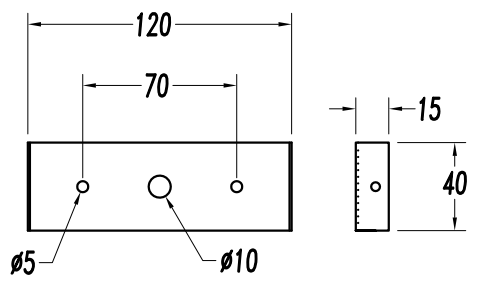
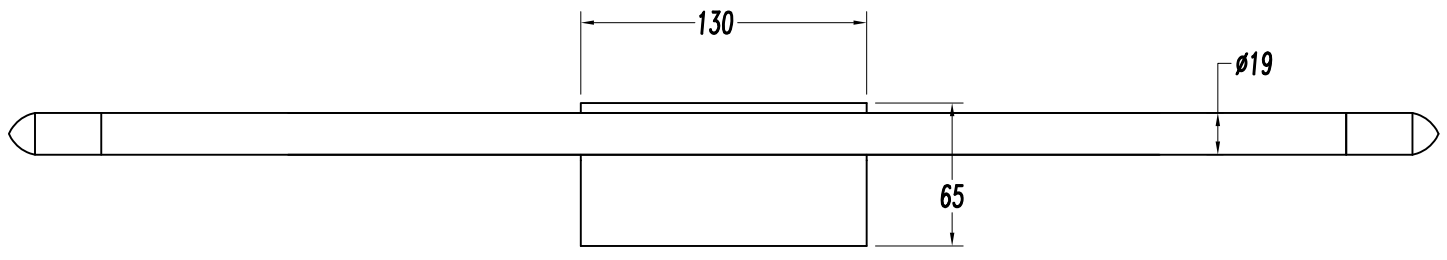
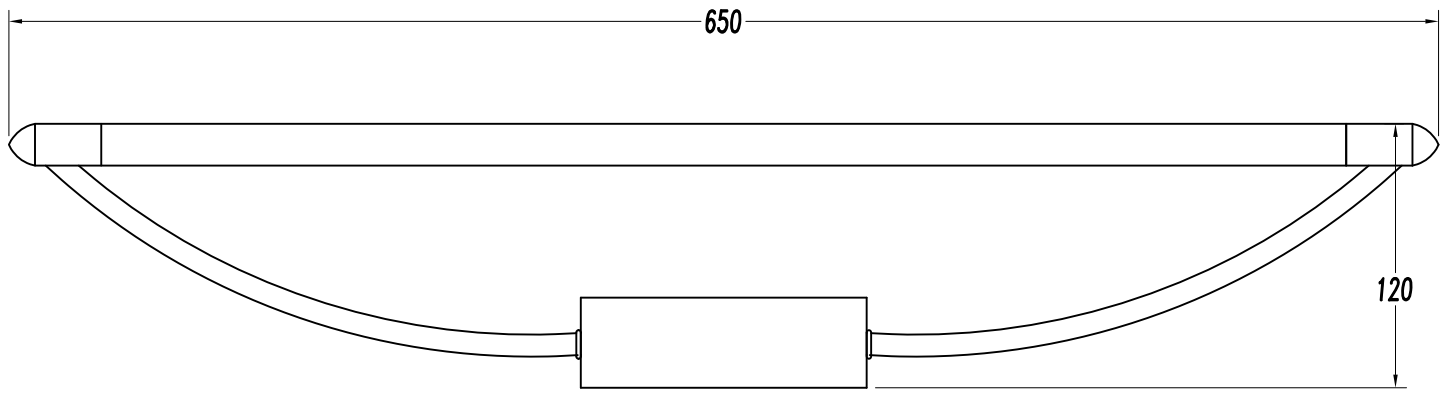
270.0 — 90.0 (Blue line)

ULOR 2.40 %

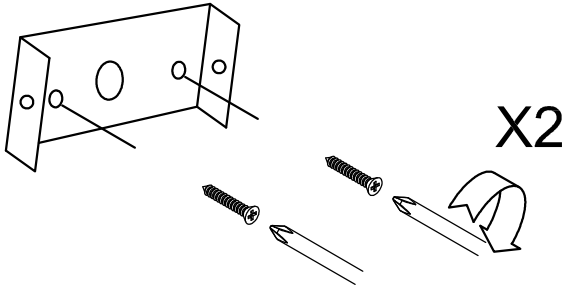
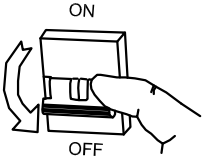
DLOR 27.86 %

RN 7.93 %

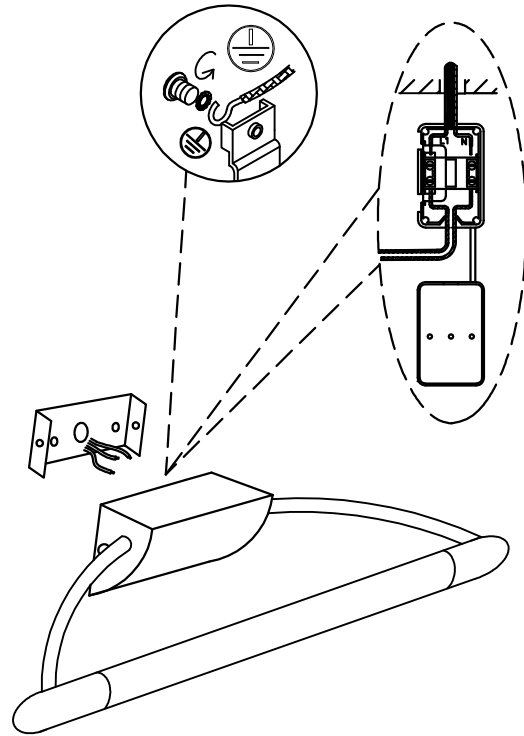




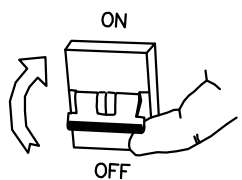
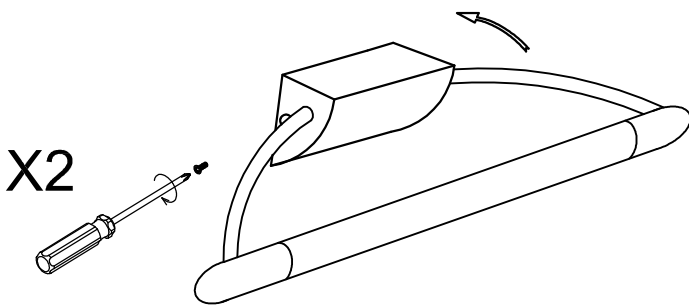
1



2



3



4

