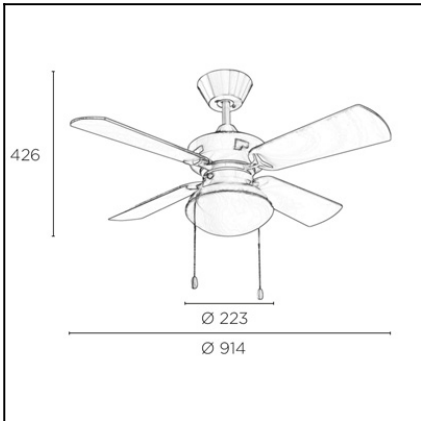




The photograph may not match the reference exactly. Please read the product description to identify the finish.



Download photometric file .ldt / .ies

### TECHNICAL CHARACTERISTICS

Type:	Fan
RPM:	95/165/220
IP Protection degrees:	IP20
Lampholder:	2 x E27
Power (W):	E27 20
Total power consumption (W):	90
Voltage / Frequency:	230V/50Hz
Warranty (Years):	2
Units per box:	1
Net Weight (Kg):	5.235
EAN:	8435381401719



### MATERIALS / FINISHES

**Structure material:** Steel

**Structure finish:** Shiny white

**Blades material:** Plywood

**Blades finishes:** White  
Beech

**Diffuser material:** Glass

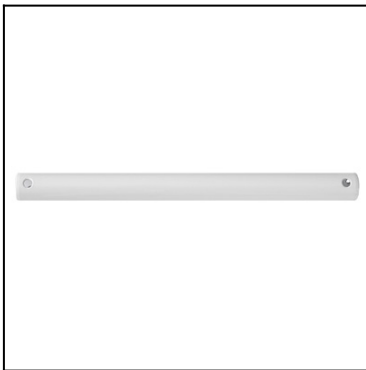
**Diffuser finish:** Matt opal

71-4399-14-14



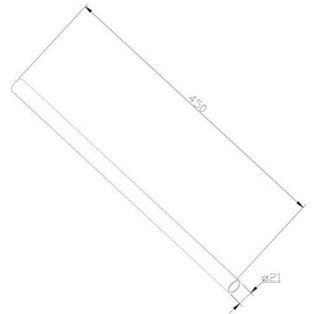
IP20

71-1844-CF-CF

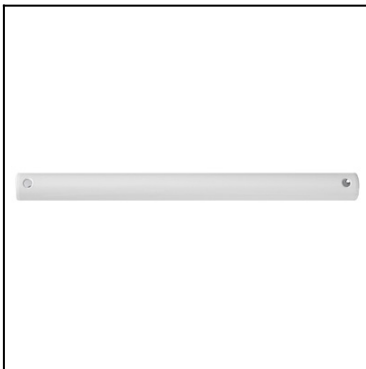


**Structure material:**  
**Structure finish:**

Steel  
 Shiny white



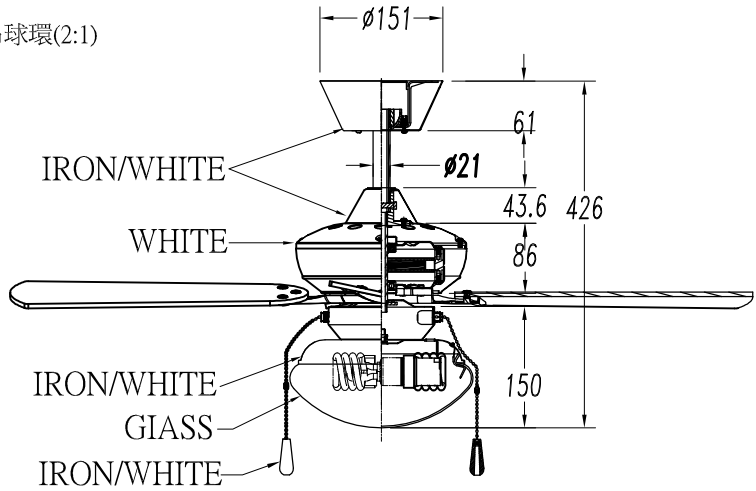
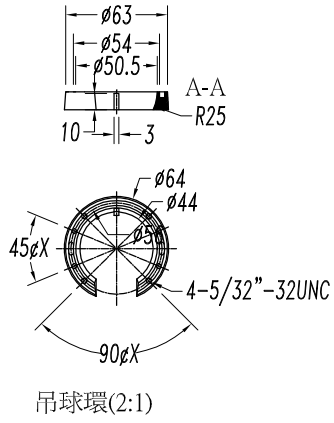
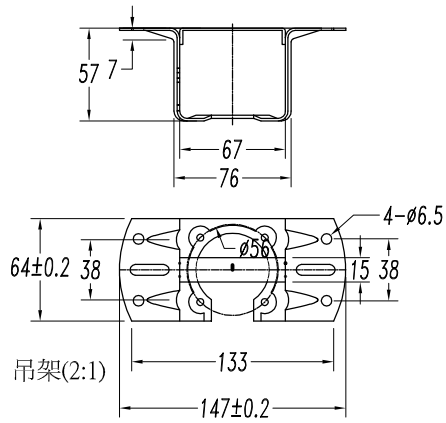
71-1843-CF-CF



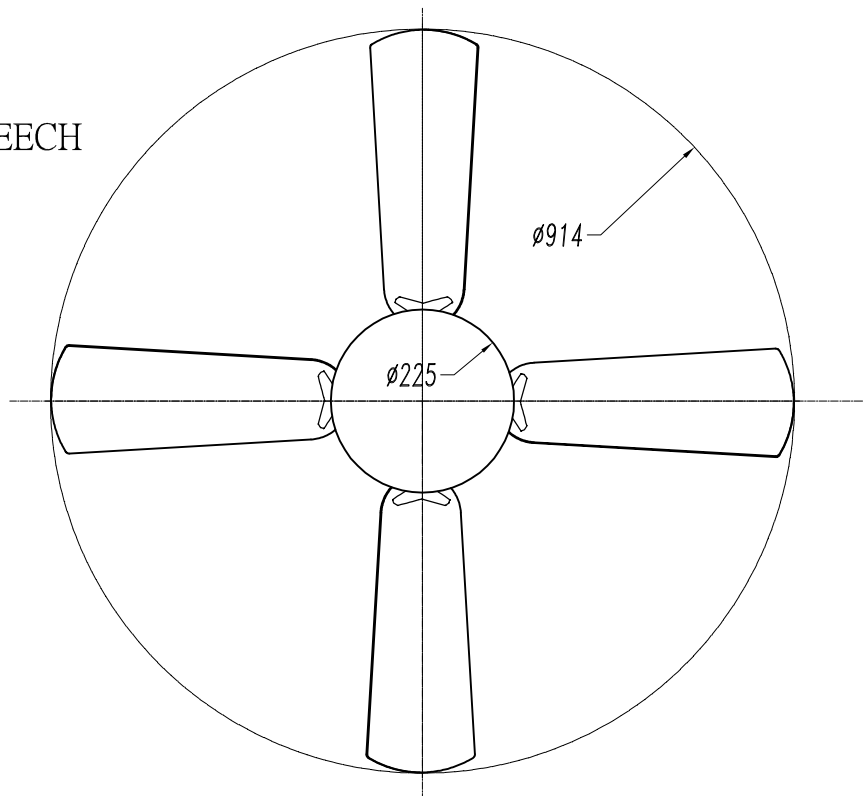
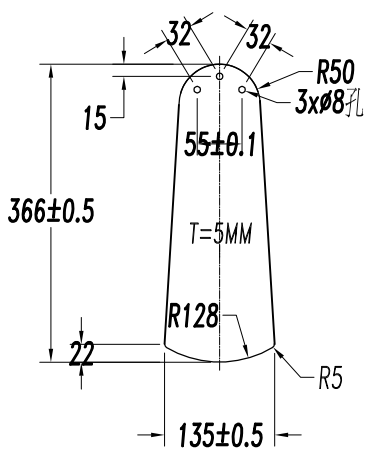
**Structure material:**  
**Structure finish:**

Steel  
 Shiny white





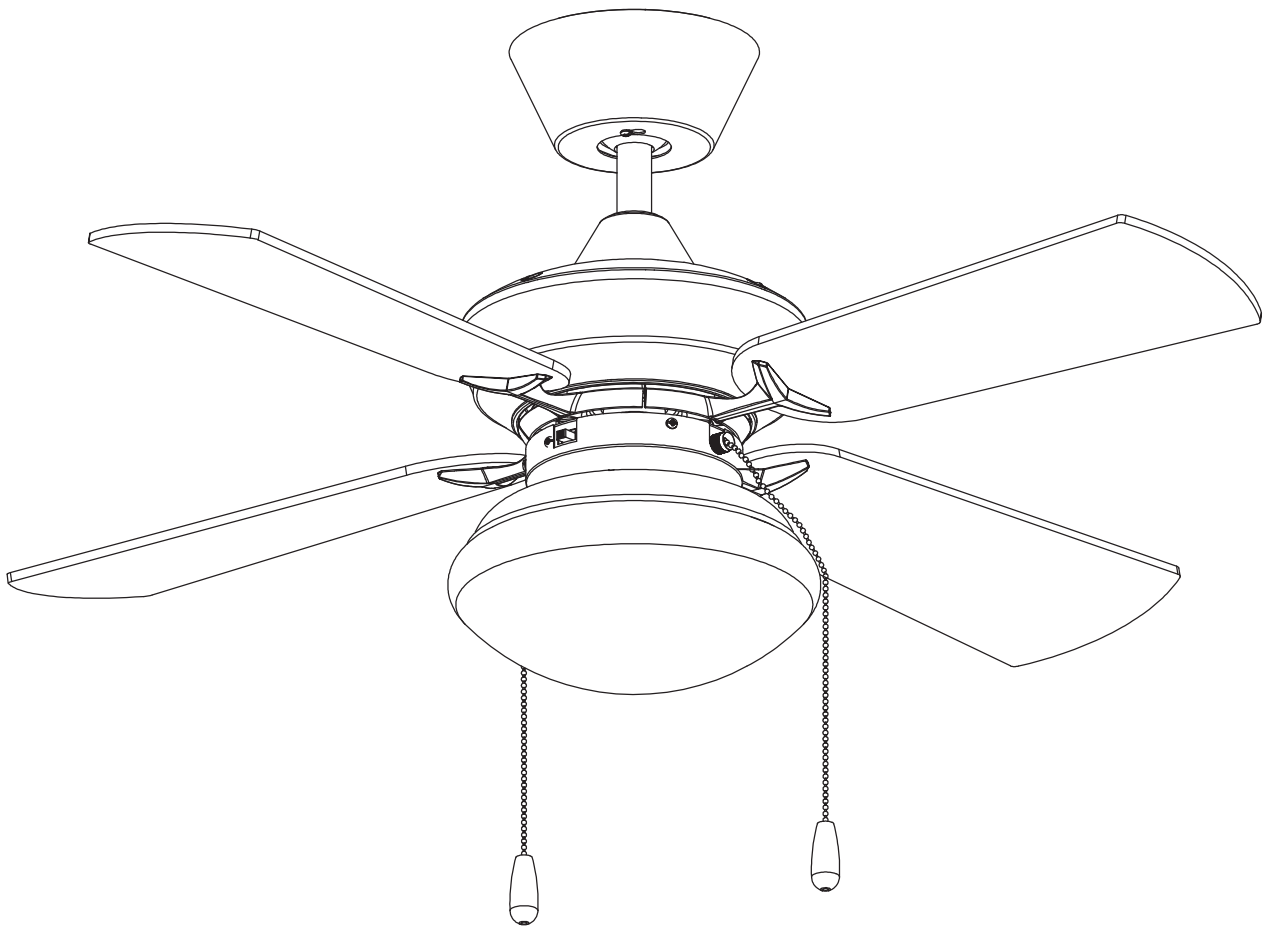
PLYWOOD/WHITE&BEECH

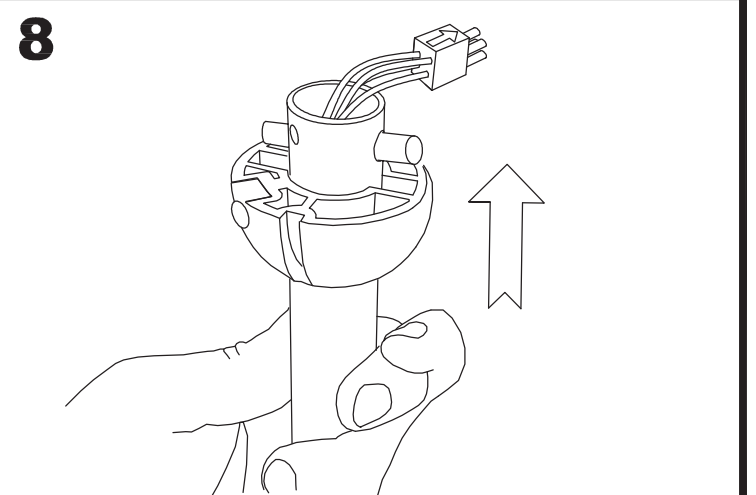
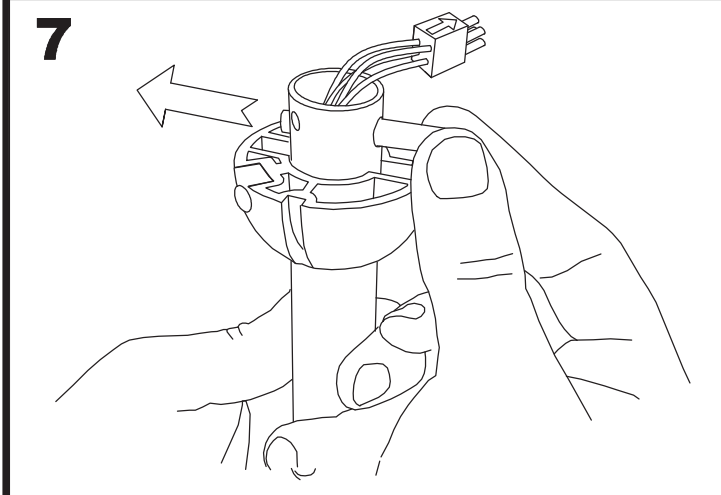
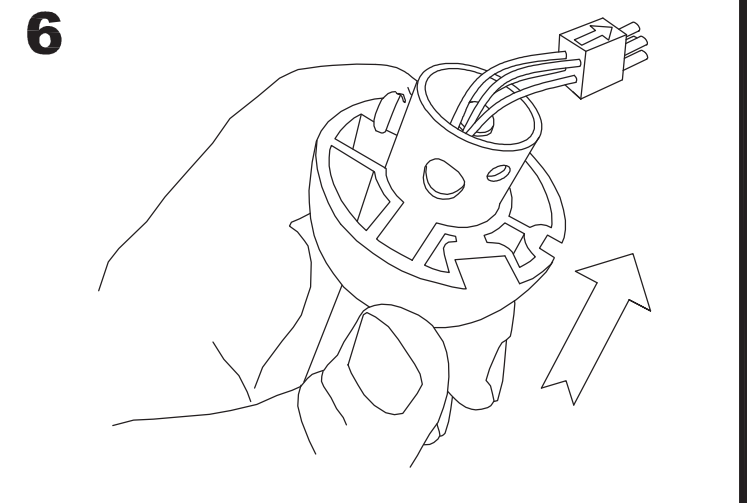
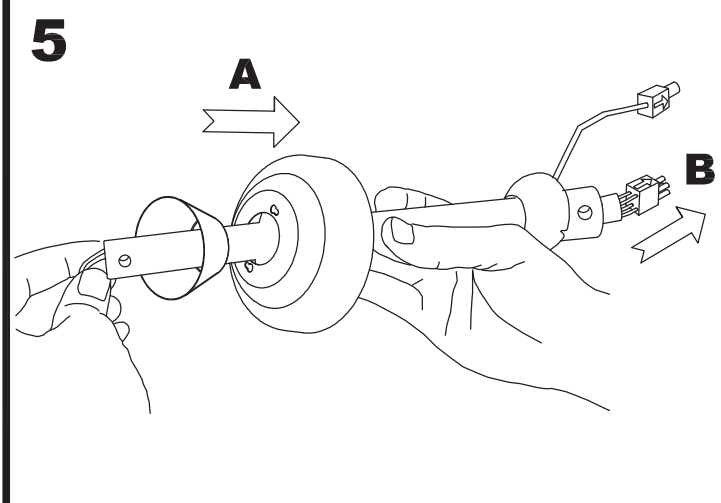
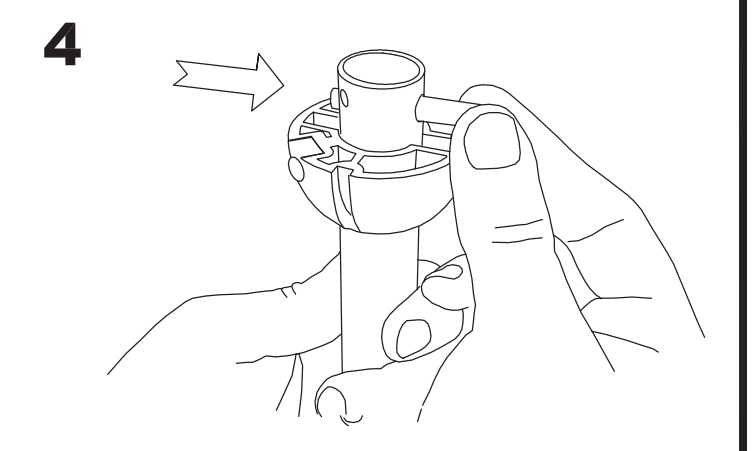
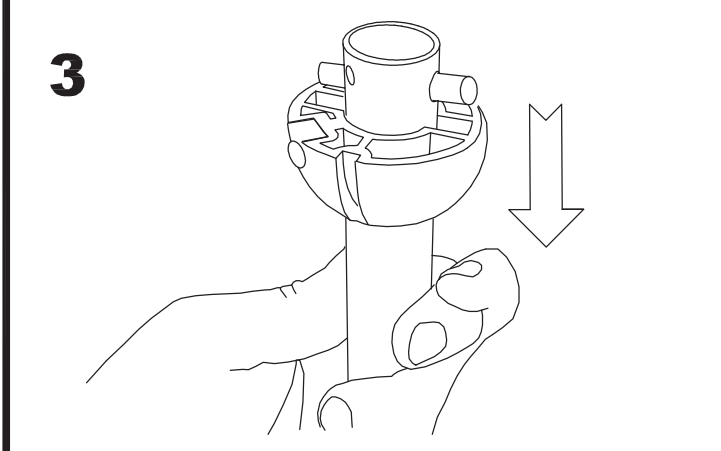
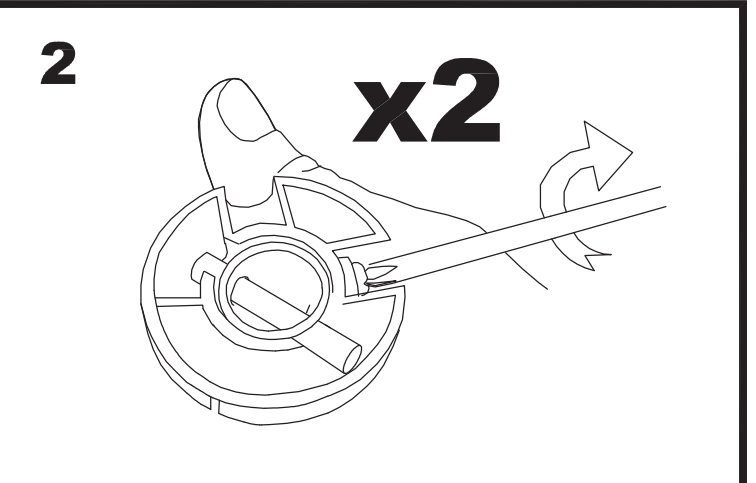
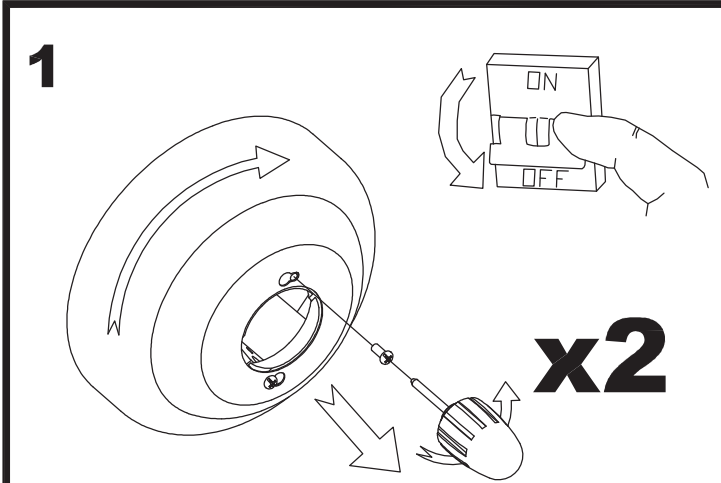


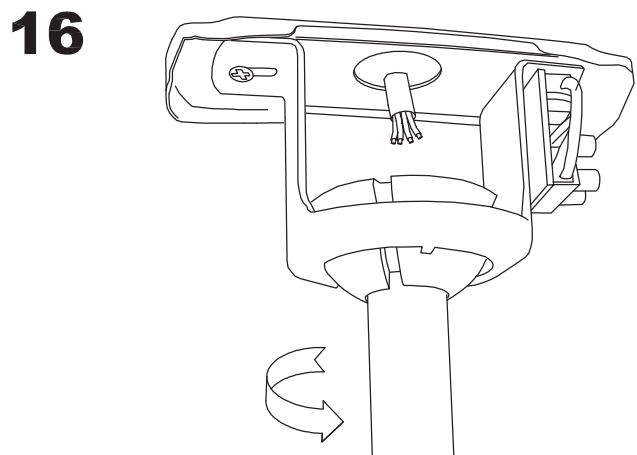
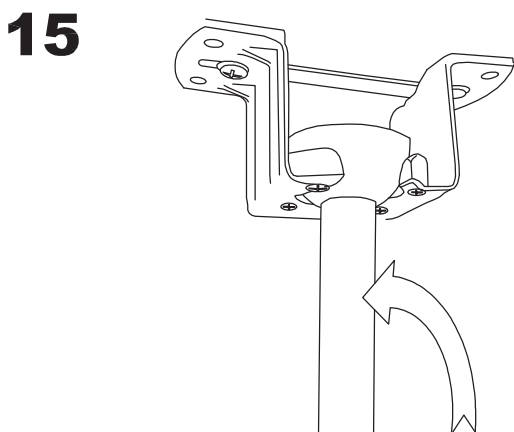
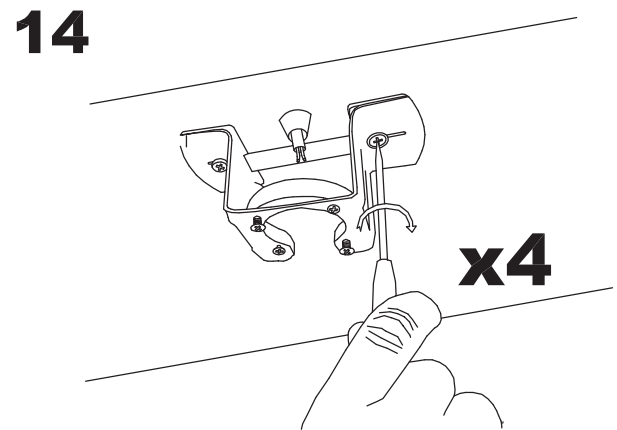
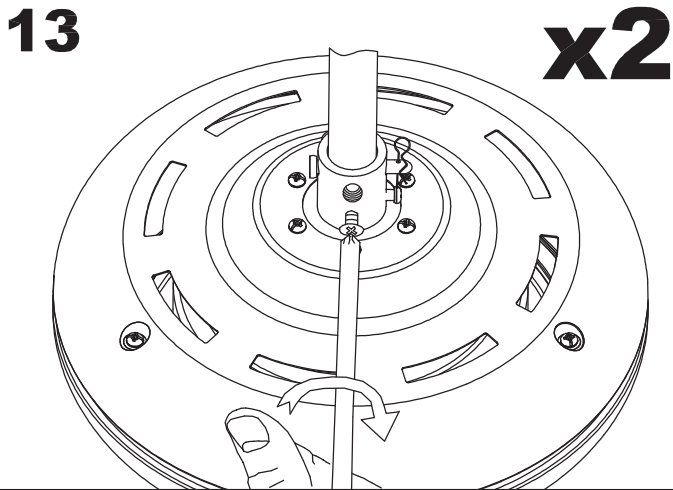
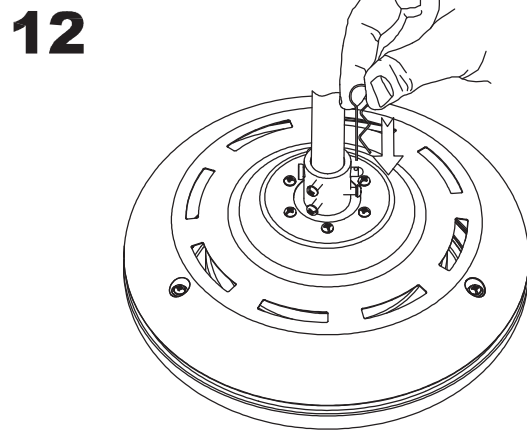
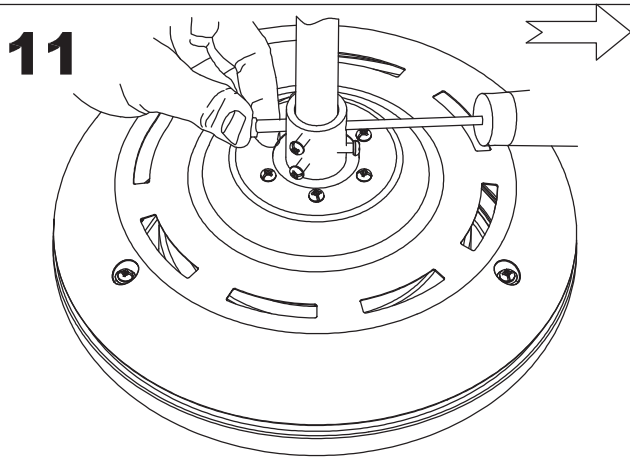
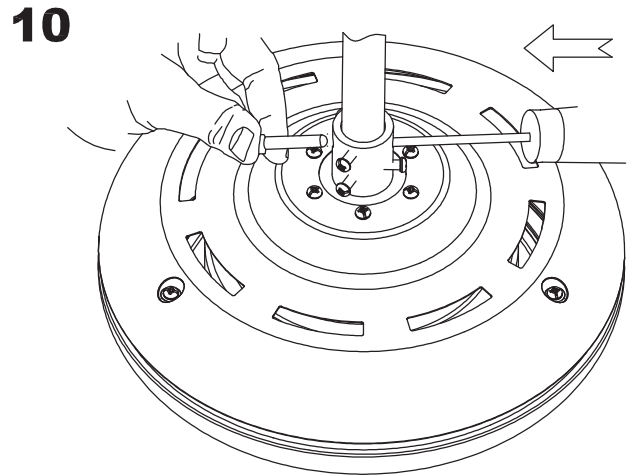
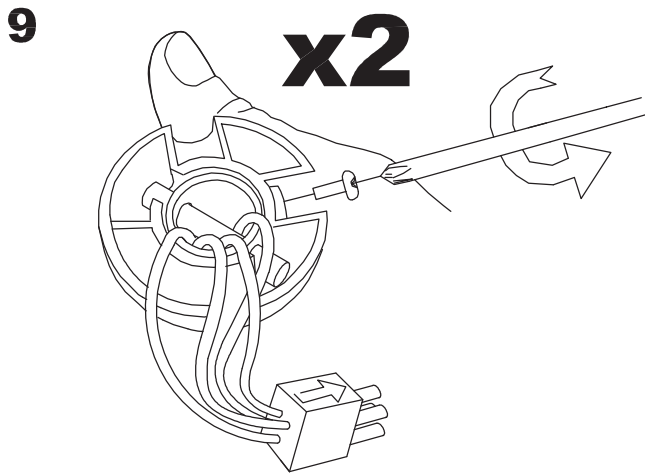


LEDS-C4

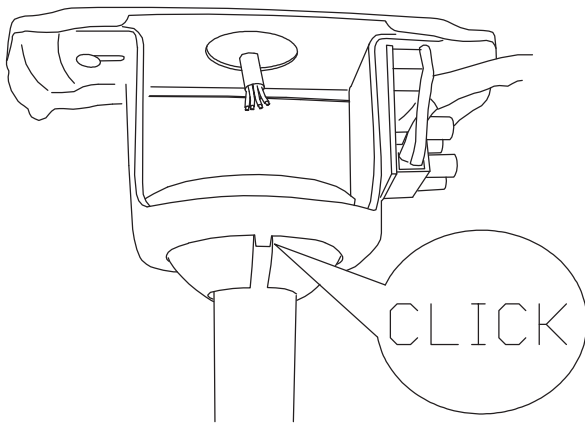
# 30-1854-CF-F9



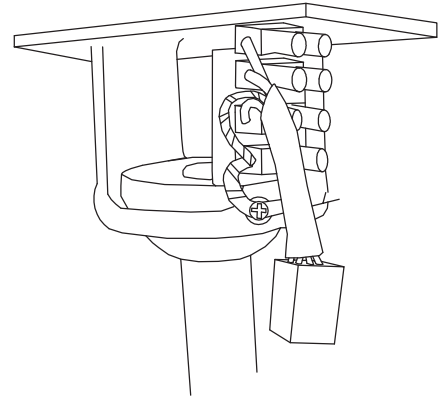




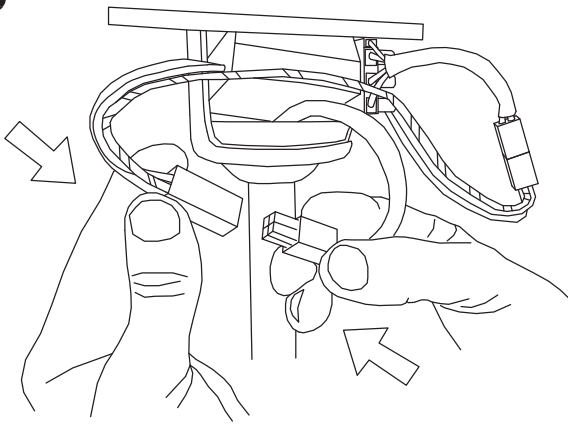
**17**



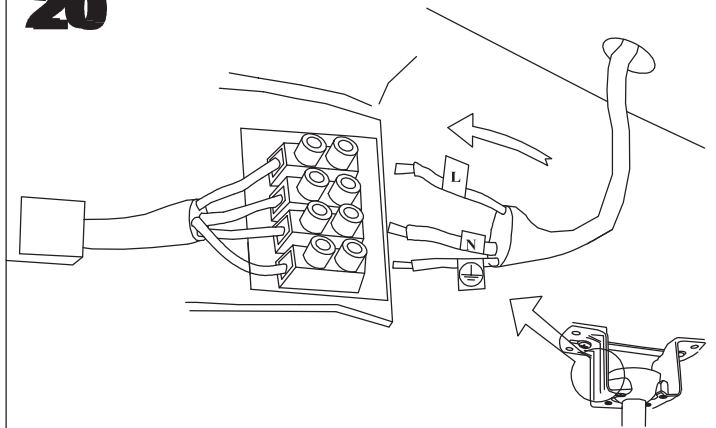
**18**



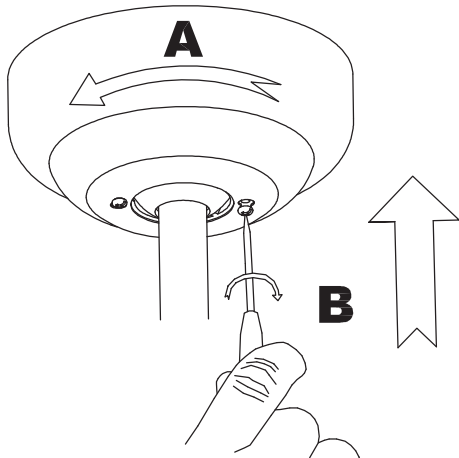
**19**



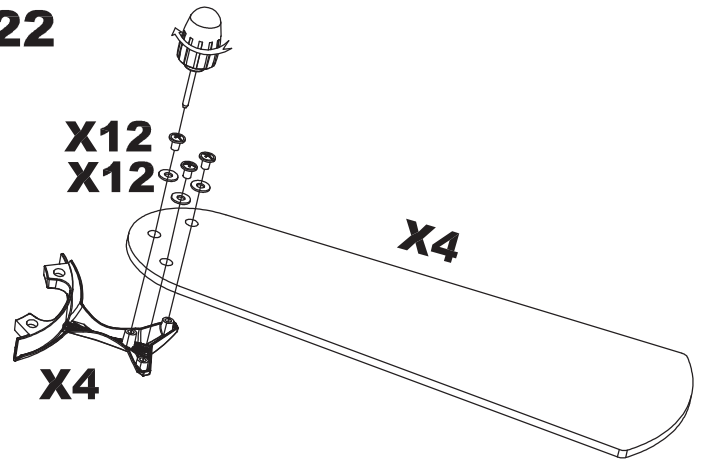
**20**



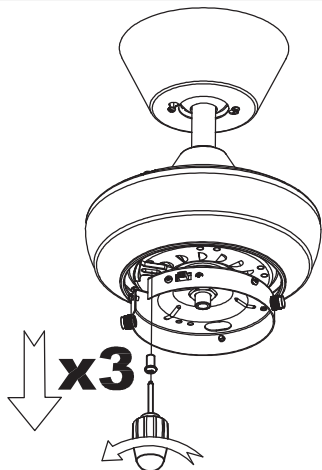
**21**



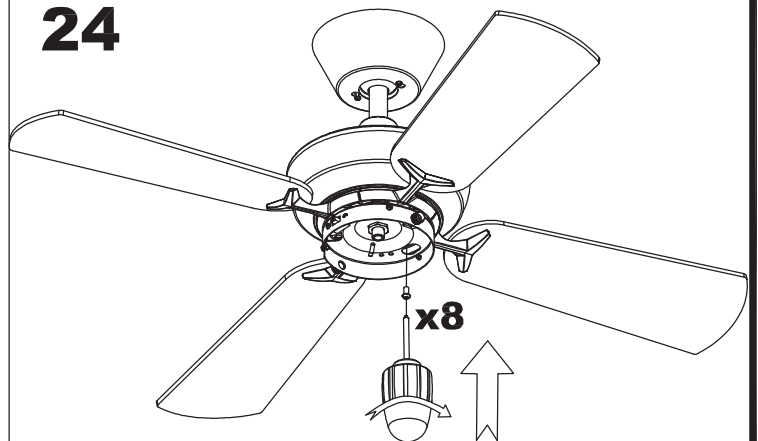
**22**



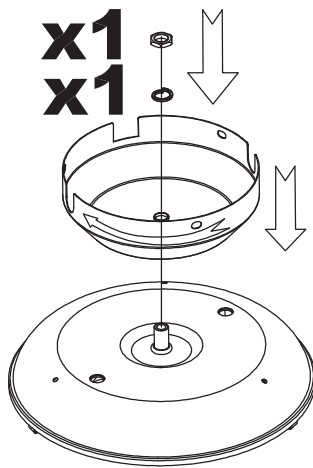
**23**



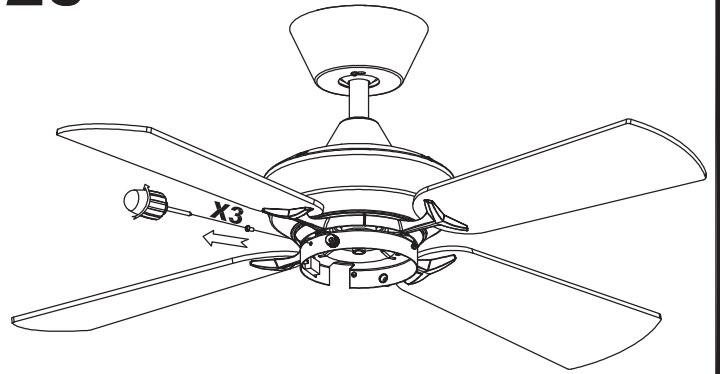
**24**



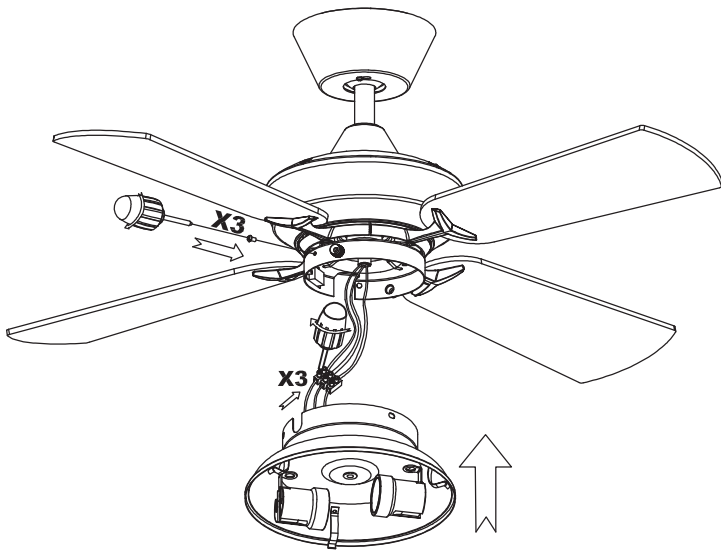
**25**



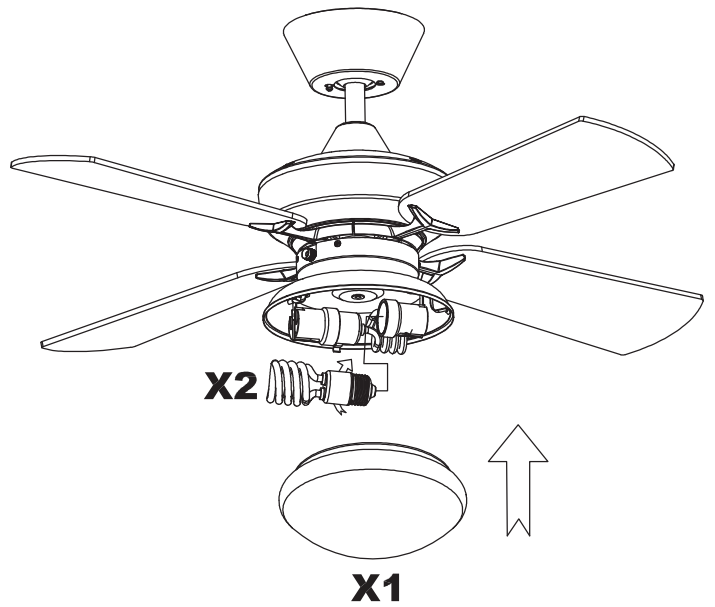
**26**



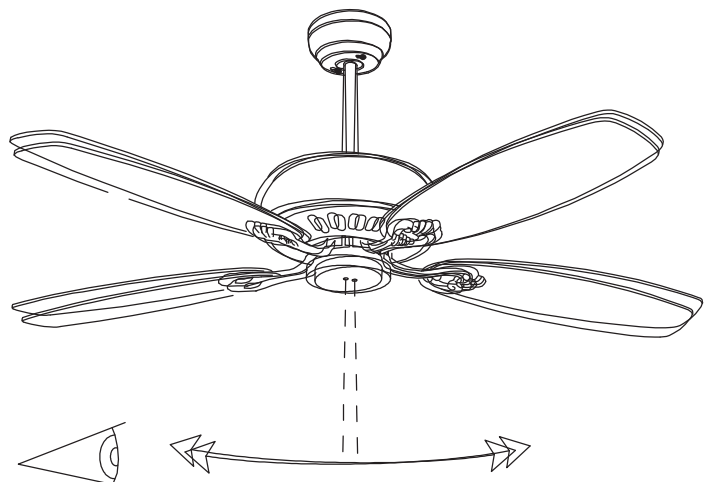
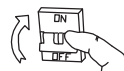
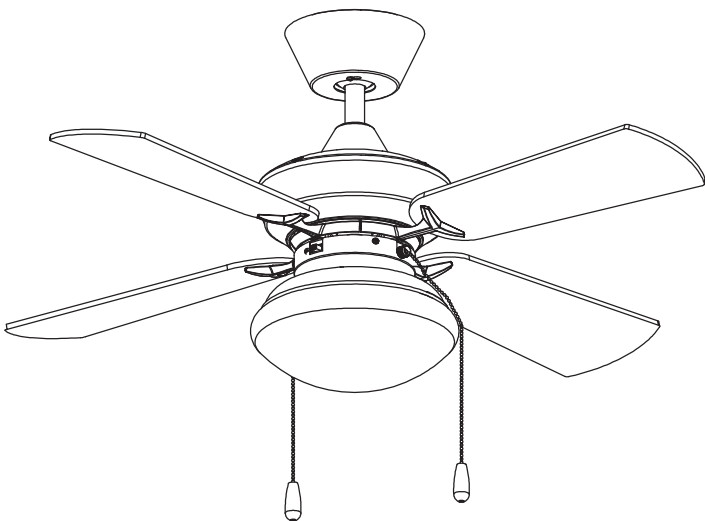
**27**



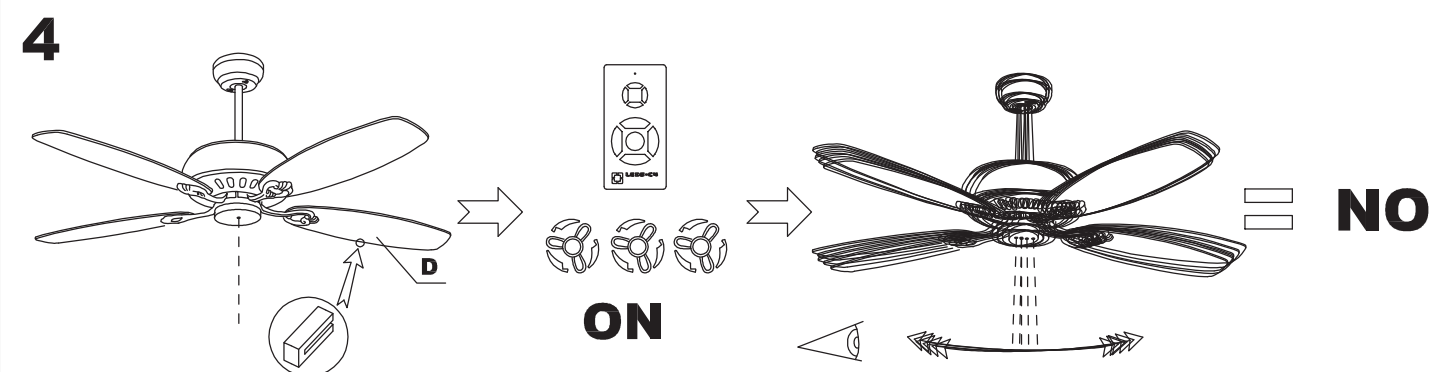
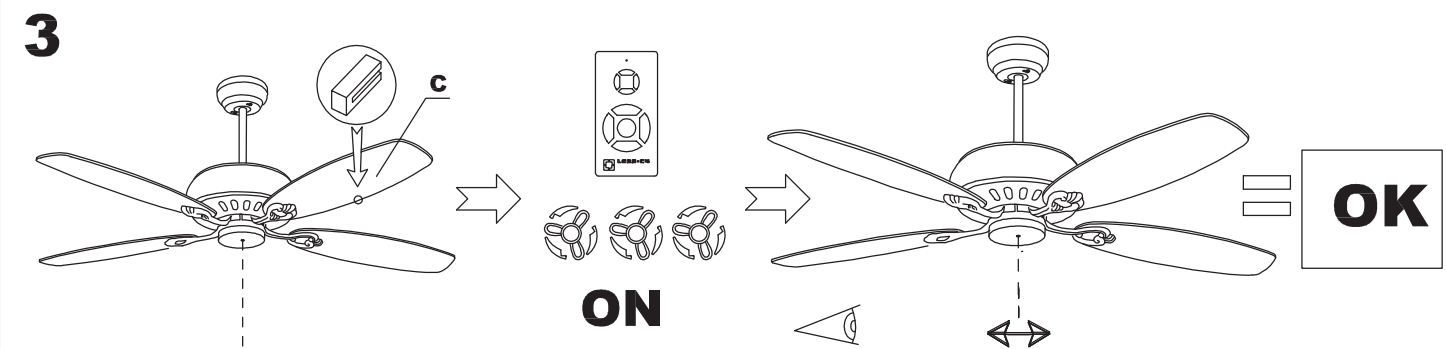
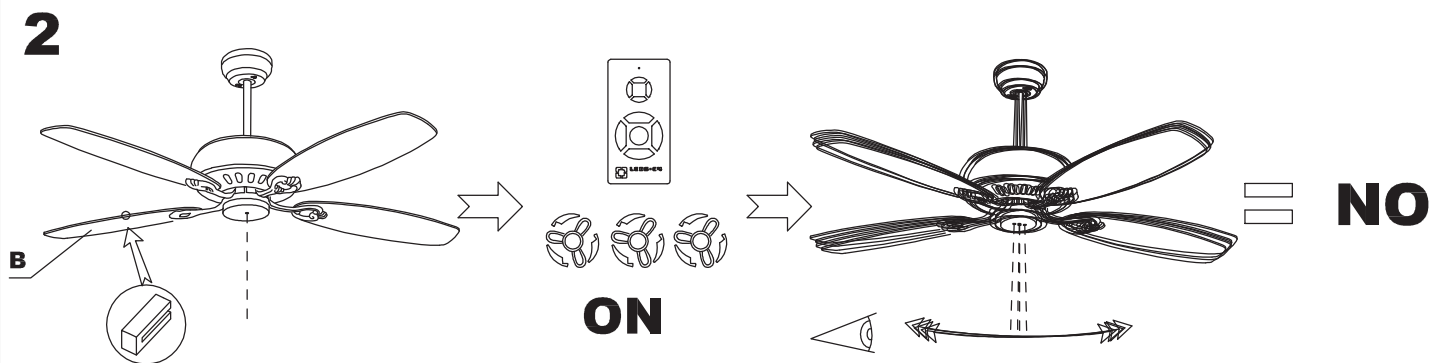
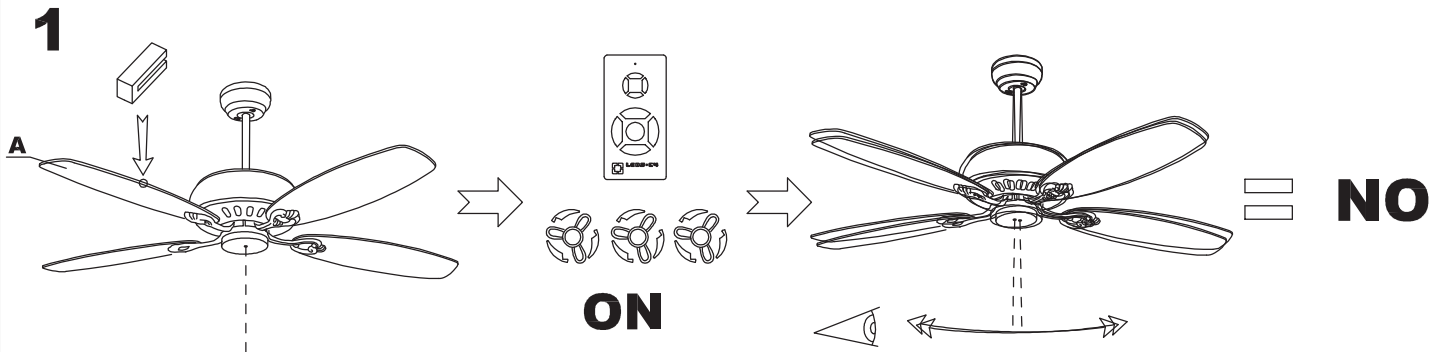
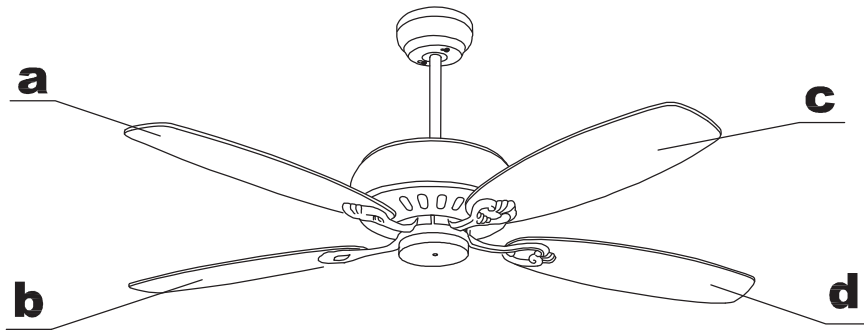
**28**



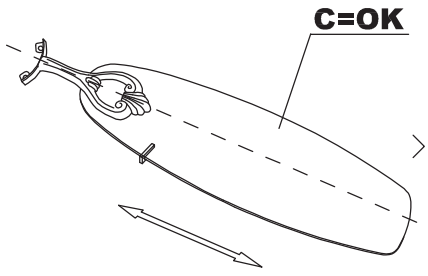
**28**



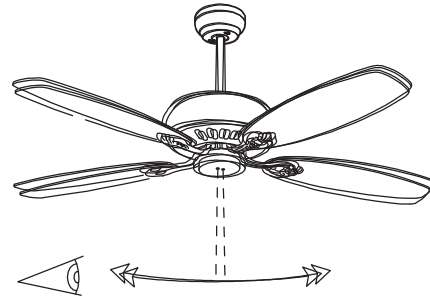




**5**

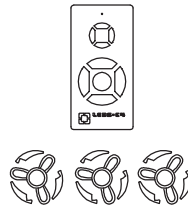
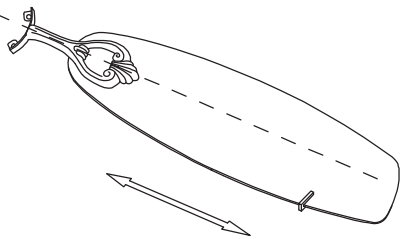


**ON**

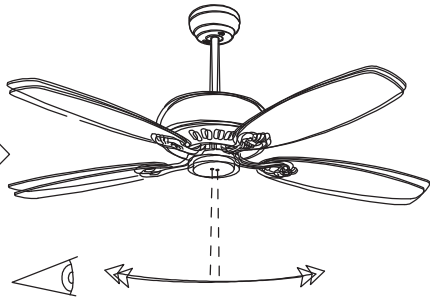


**NO**

**6**

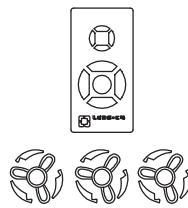
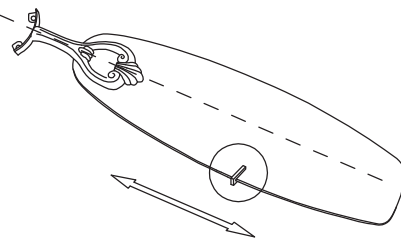


**ON**

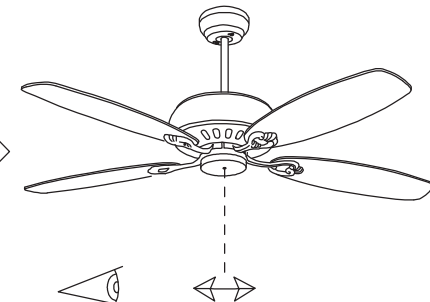


**NO**

**7**



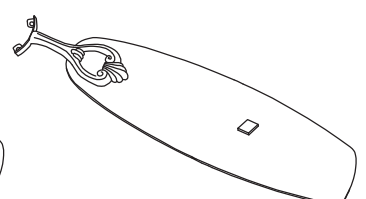
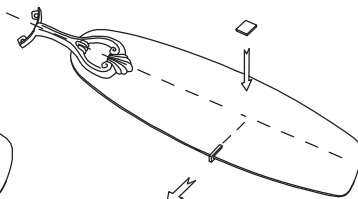
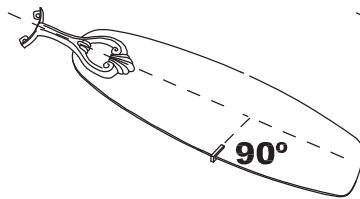
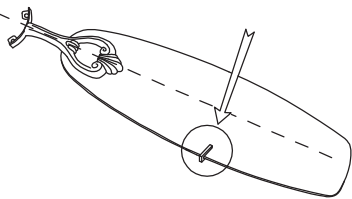
**ON**



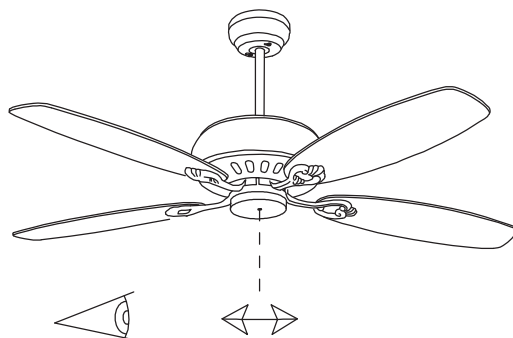
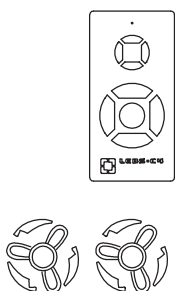
**OK**

**8**

**OK**



**ON**



**OK**