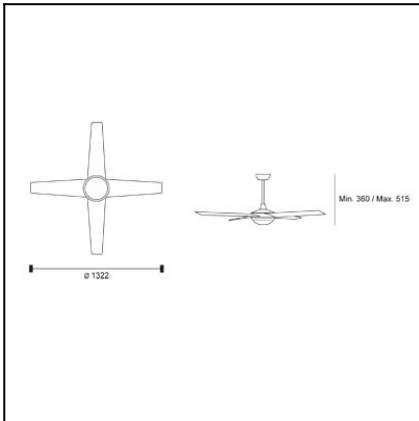




The photograph may not match the reference exactly. Please read the product description to identify the finish.



Download photometric file .ldt / .ies

### TECHNICAL CHARACTERISTICS

Type:	Fan
RPM:	130/180/220
IP Protection degrees:	IP20
Lampholder:	1 x R7s
Power (W):	R7s MAX 100W
Bulb included:	1 x R7s MAX 80W
Total power consumption (W):	166
Voltage / Frequency:	230V/50Hz
Warranty (Years):	2
Units per box:	1
Net Weight (Kg):	7.48
EAN:	8435111070659,00



### MATERIALS / FINISHES

**Structure material:** Injected aluminium  
**Structure finish:** Satin nickel  
**Blades material:** Plywood  
**Blades finishes:** Textured grey  
 Wenge-painted finish

**Diffuser material:** Glass  
**Diffuser finish:** Matt opal

71-1843-81-81



**Structure material:**  
**Structure finish:**

Steel  
Satin nickel



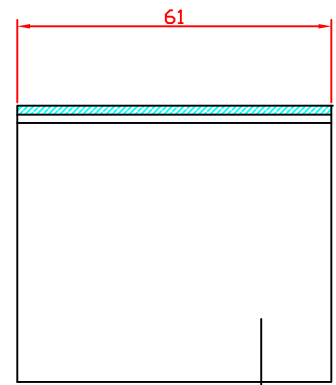
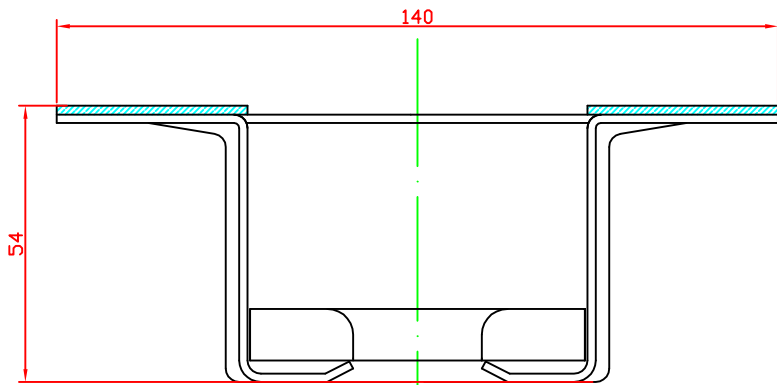
71-1844-81-81



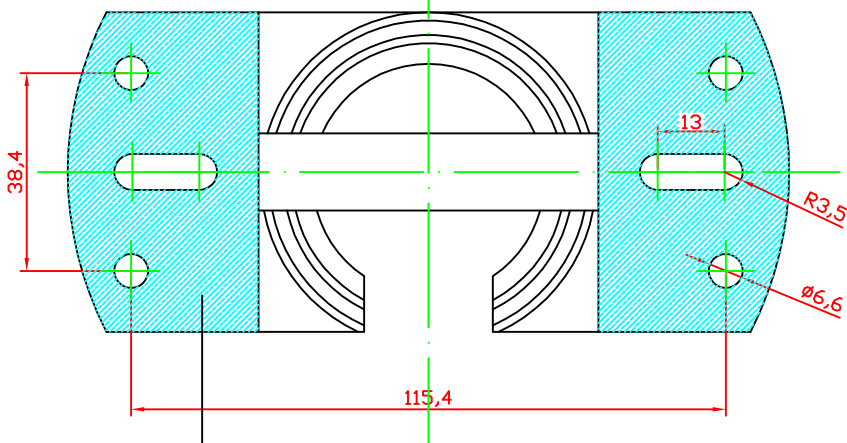
**Structure material:**  
**Structure finish:**

Steel  
Satin nickel





IRON



GUM PROTECTION



ERROR: syntaxerror  
OFFENDING COMMAND: --nostringval--

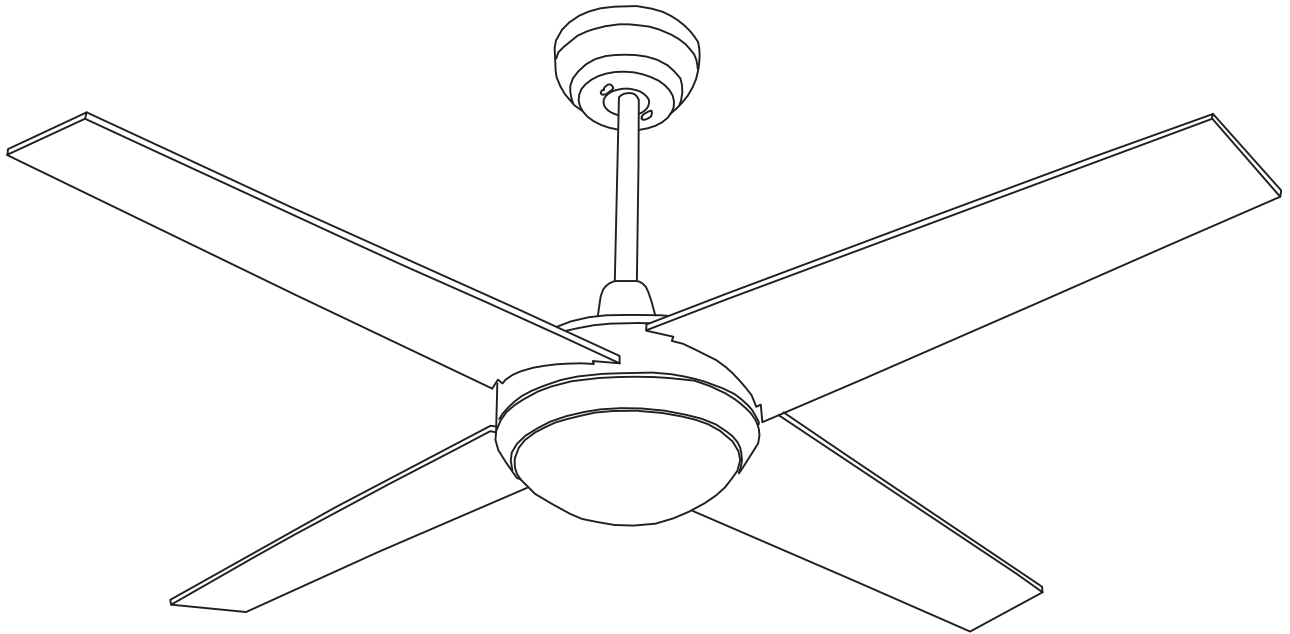
STACK:

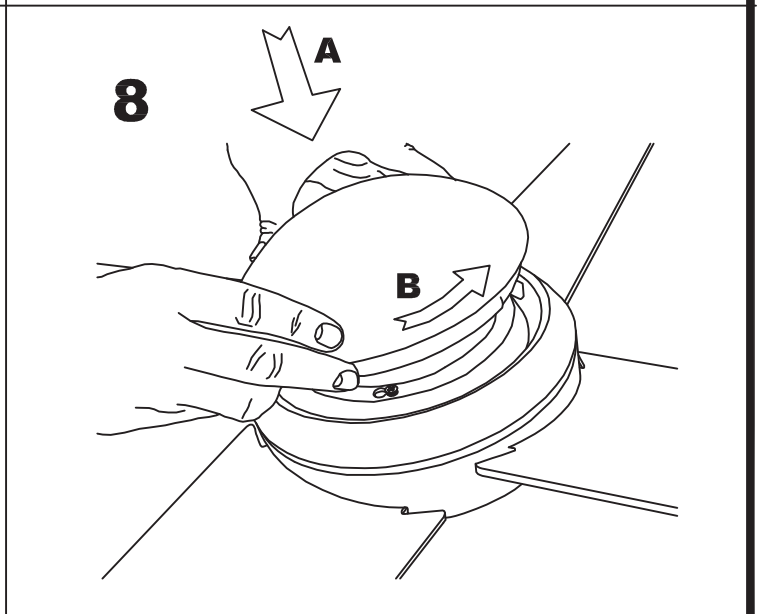
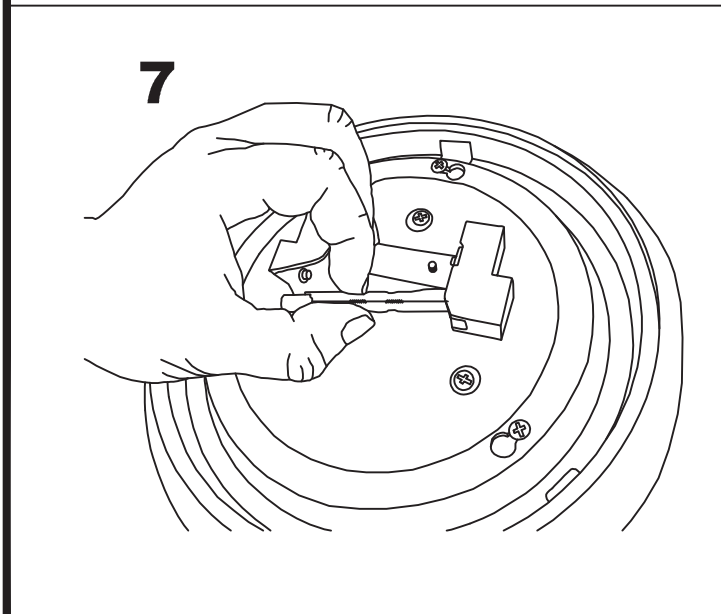
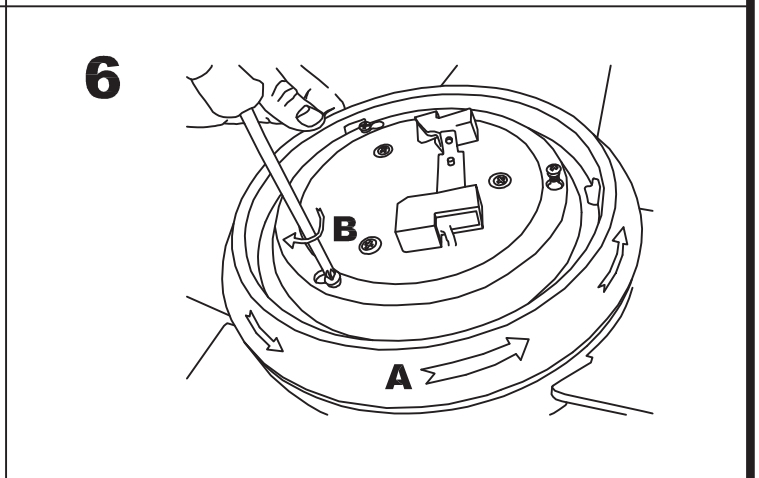
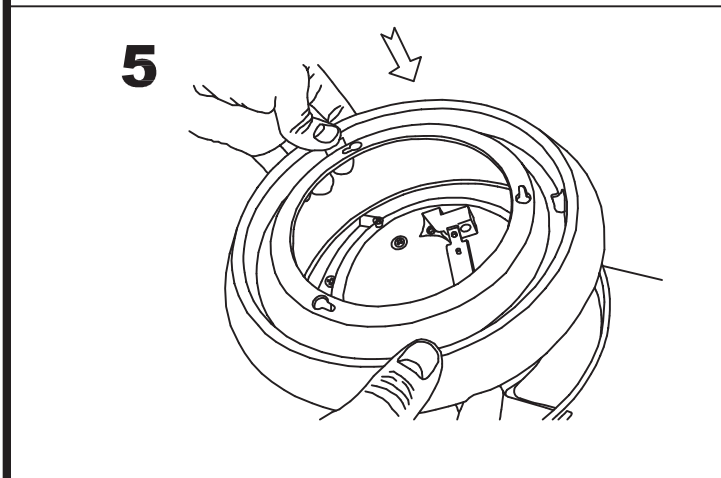
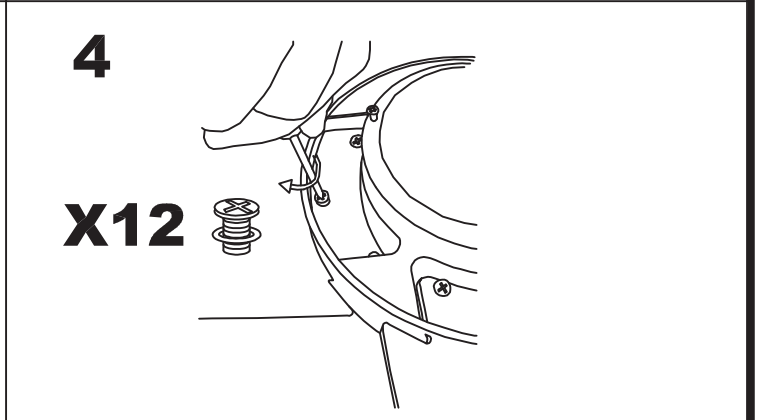
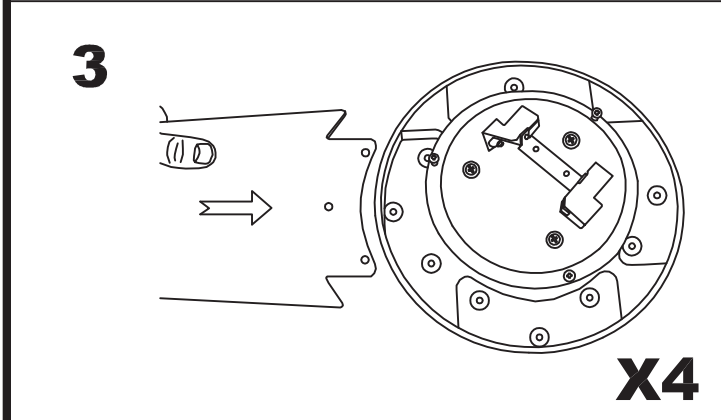
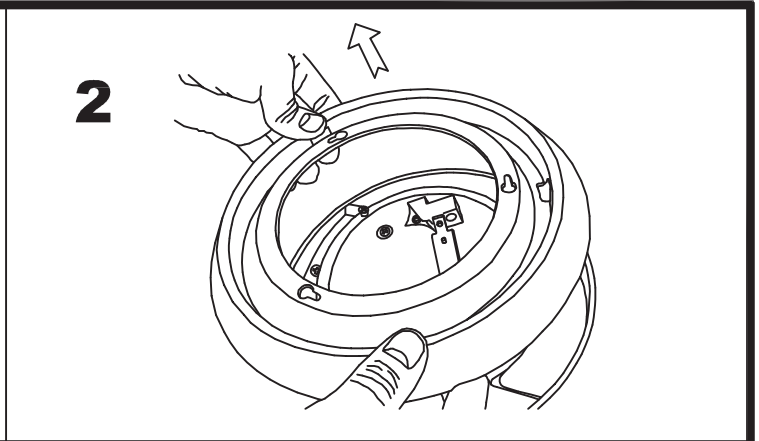
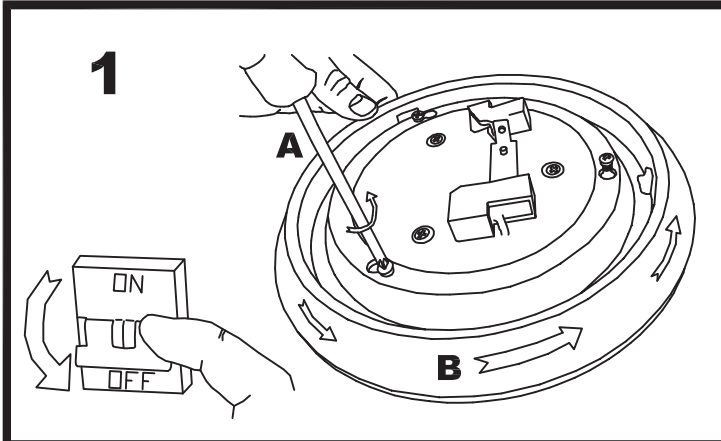
/Title  
( )  
/Subject  
(D:20090323103030+01'00')  
/ModDate  
( )  
/Keywords  
(PDFCreator Version 0.9.5)  
/Creator  
(D:20090323103030+01'00')  
/CreationDate  
(mribera)  
/Author  
-mark-

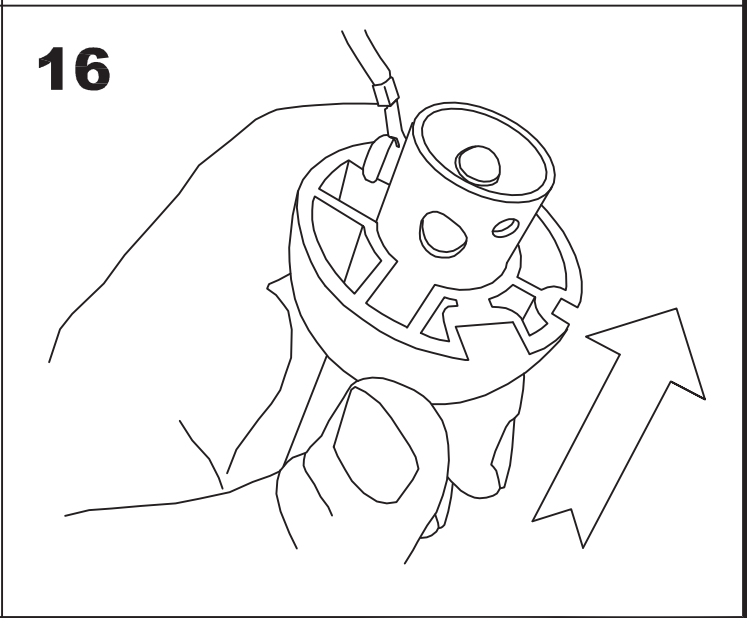
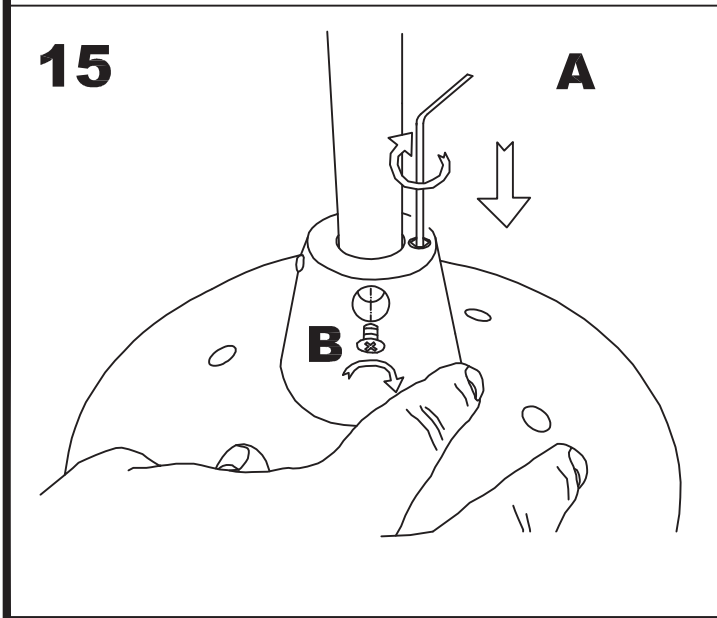
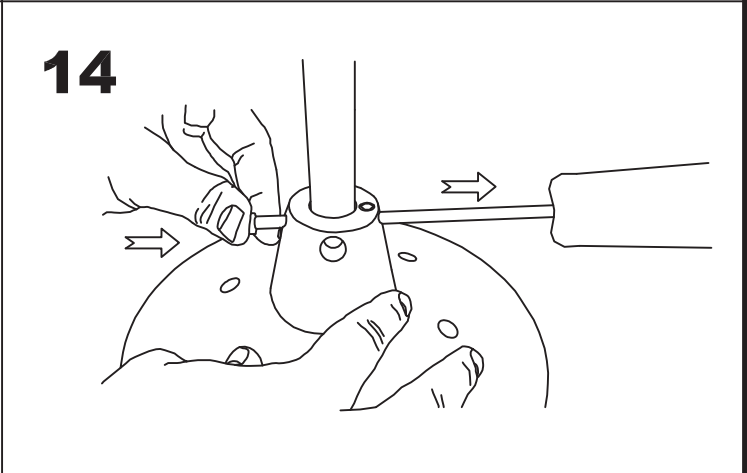
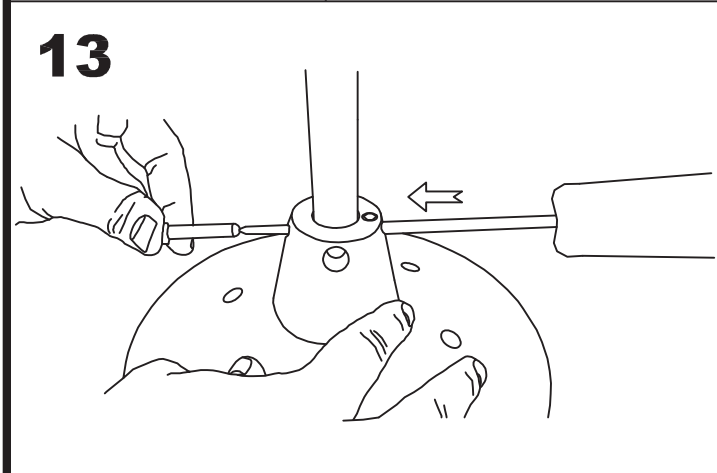
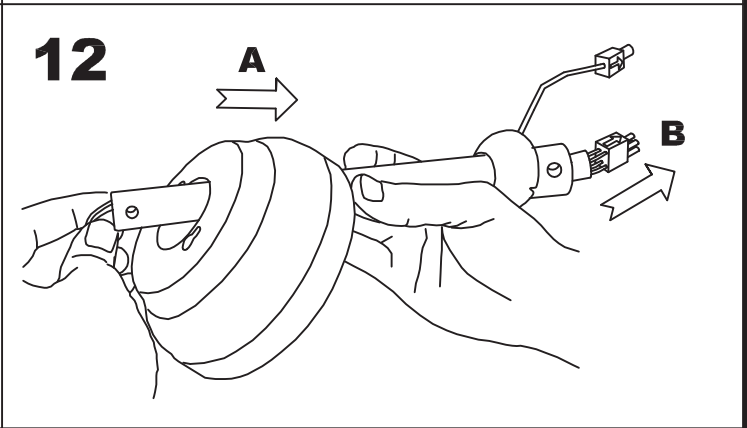
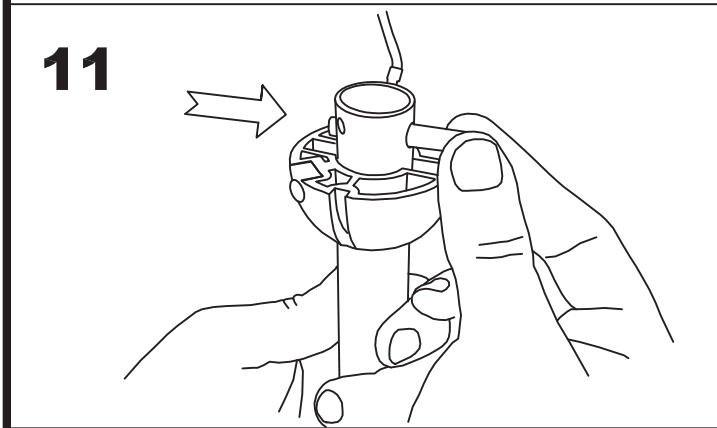
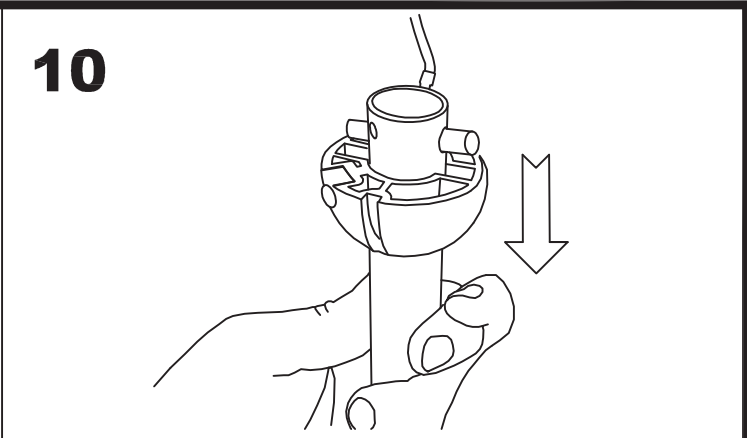
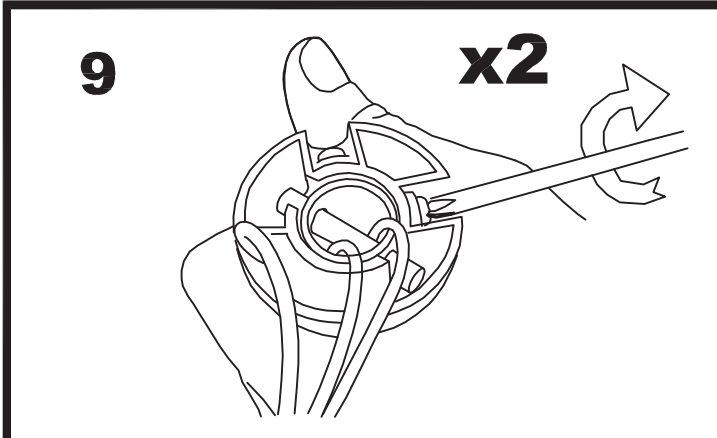


**LED S-C4**

# **30-2854-81-F9**

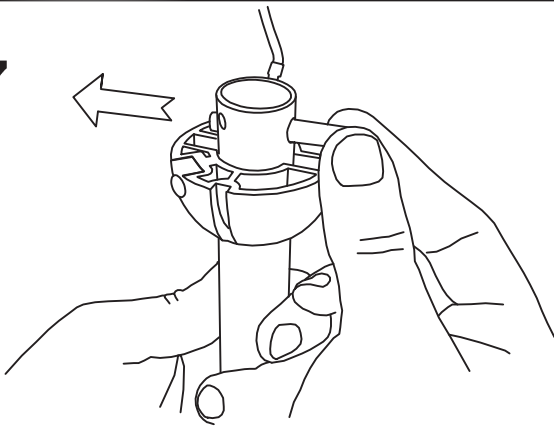




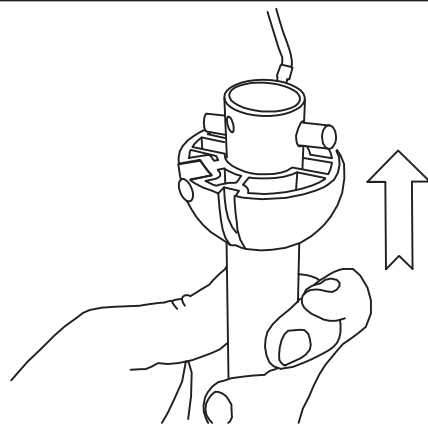




**17**

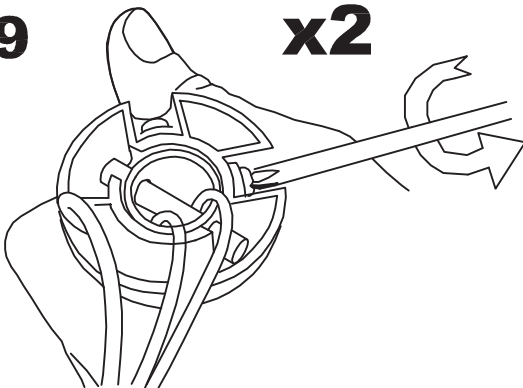


**18**



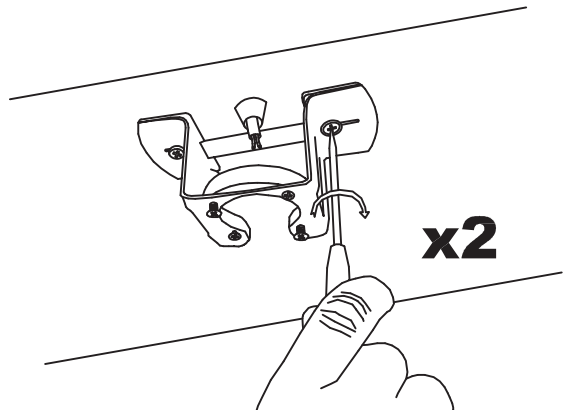
**19**

**x2**

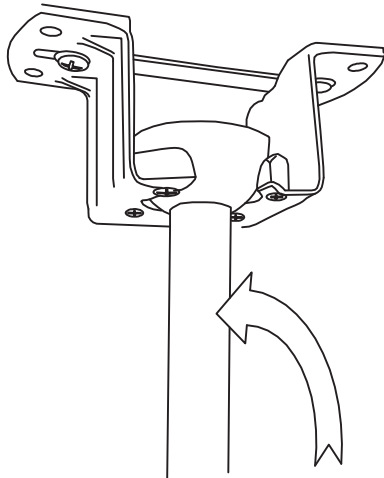


**20**

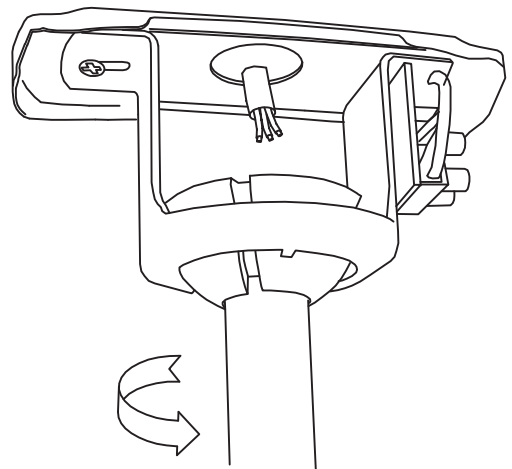
**x2**



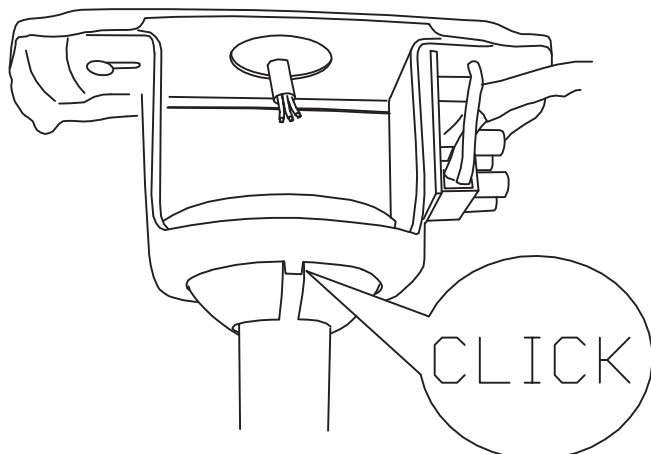
**21**



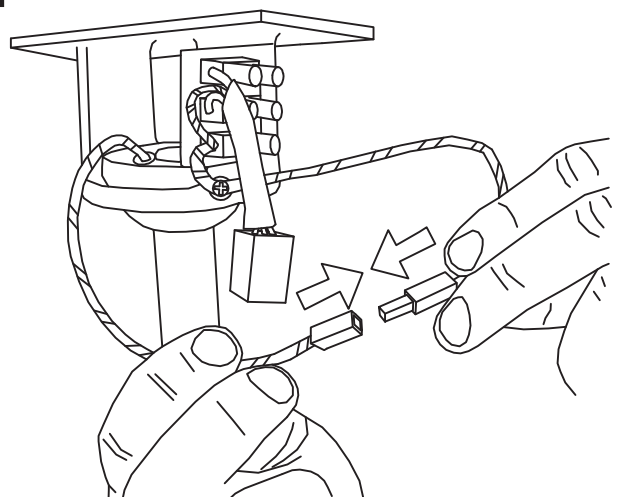
**22**



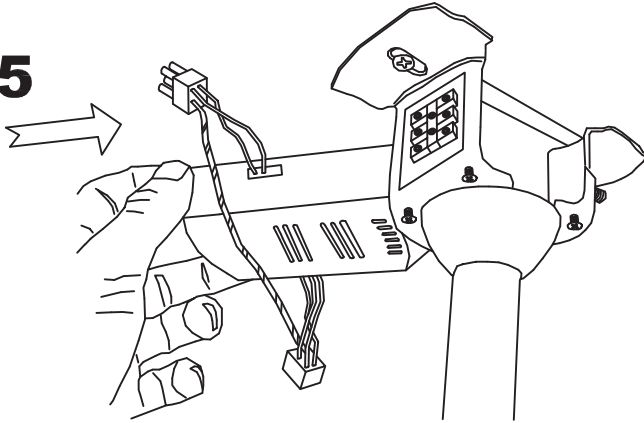
**23**



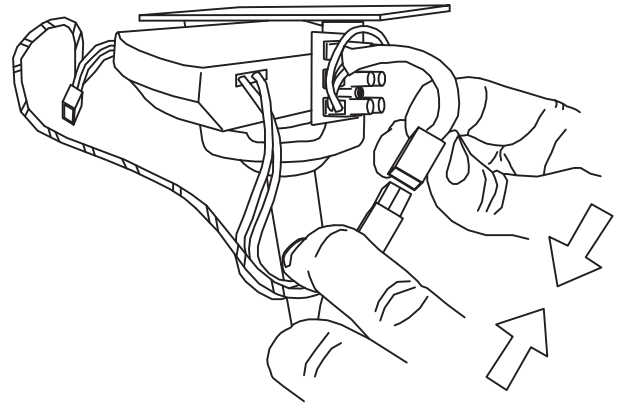
**24**



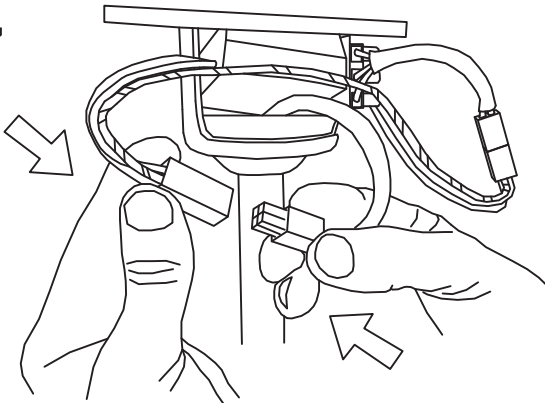
**25**



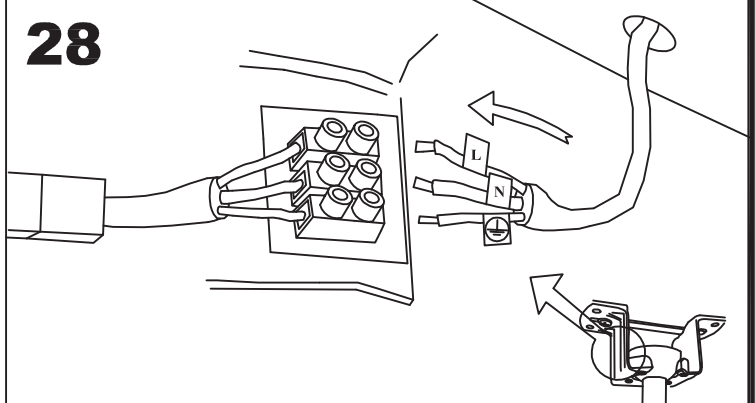
**26**



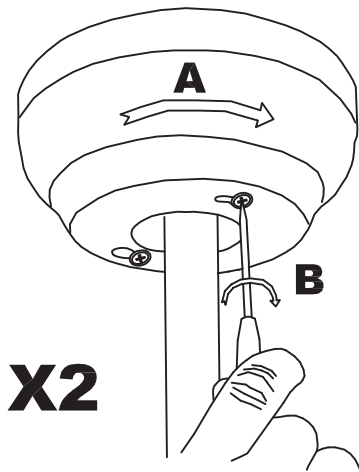
**27**



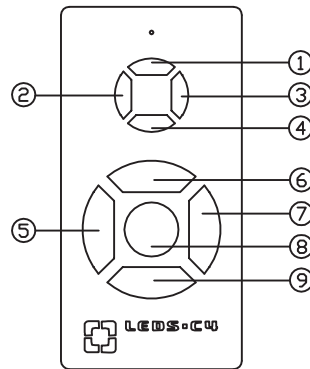
**28**



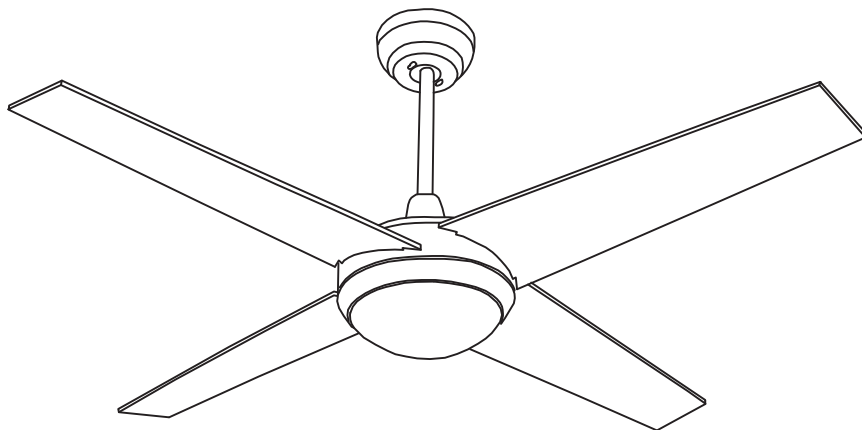
**29**

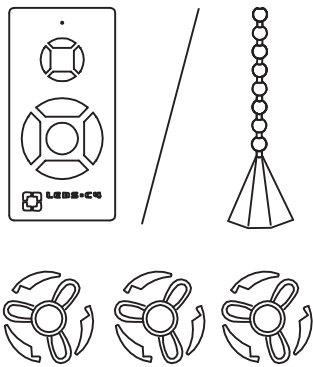
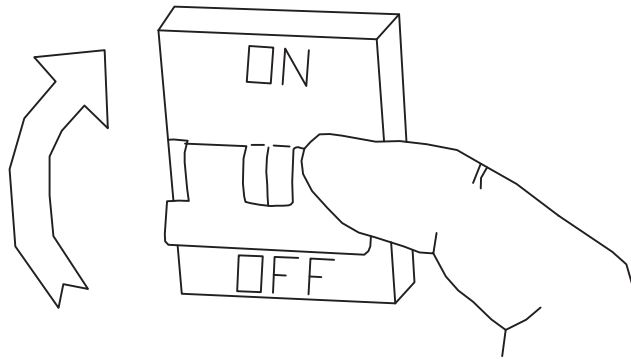


**30**

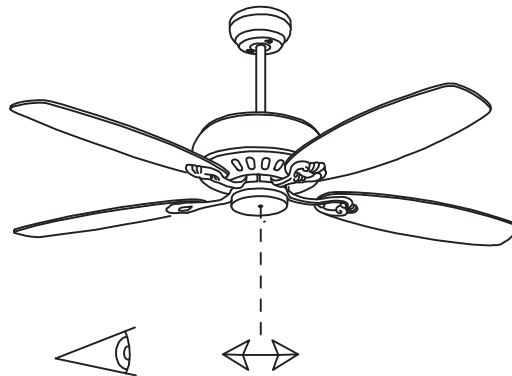


①	
②	
③	
④	
⑤	
⑥	
⑦	
⑧	STOP
⑨	

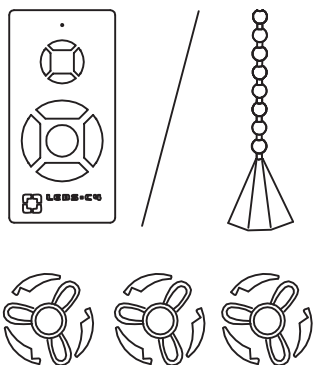




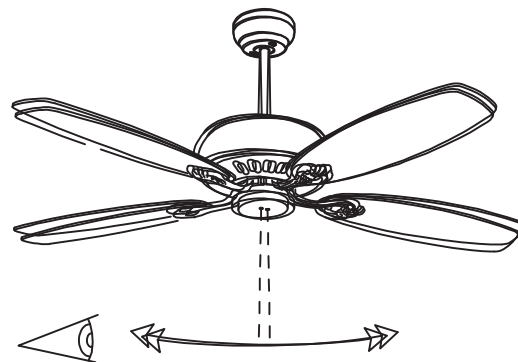
**ON**



**OK**



**ON**



**NO**

