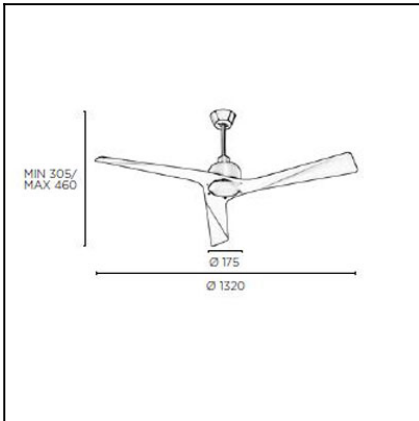




The photograph may not match the reference exactly. Please read the product description to identify the finish.



Download photometric file .ldt / .ies

TECHNICAL CHARACTERISTICS

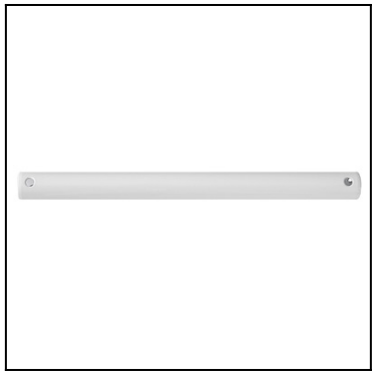
Type:	Fan
RPM:	140/200/230
IP Protection degrees:	IP20
Total power consumption (W):	50
Voltage / Frequency:	230V/50Hz
Warranty (Years):	2
Units per box:	1
Net Weight (Kg):	7.41
EAN:	8435111076927,00



MATERIALS / FINISHES

Structure material:	Steel Aluminium
Structure finish:	Matt white Matt white
Blades material:	Steel
Blades finishes:	Matt white

71-1843-CF-CF

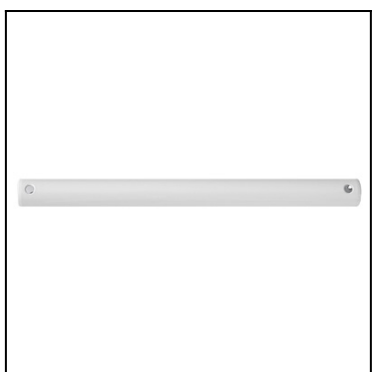


Structure material:
Structure finish:

Steel
Shiny white



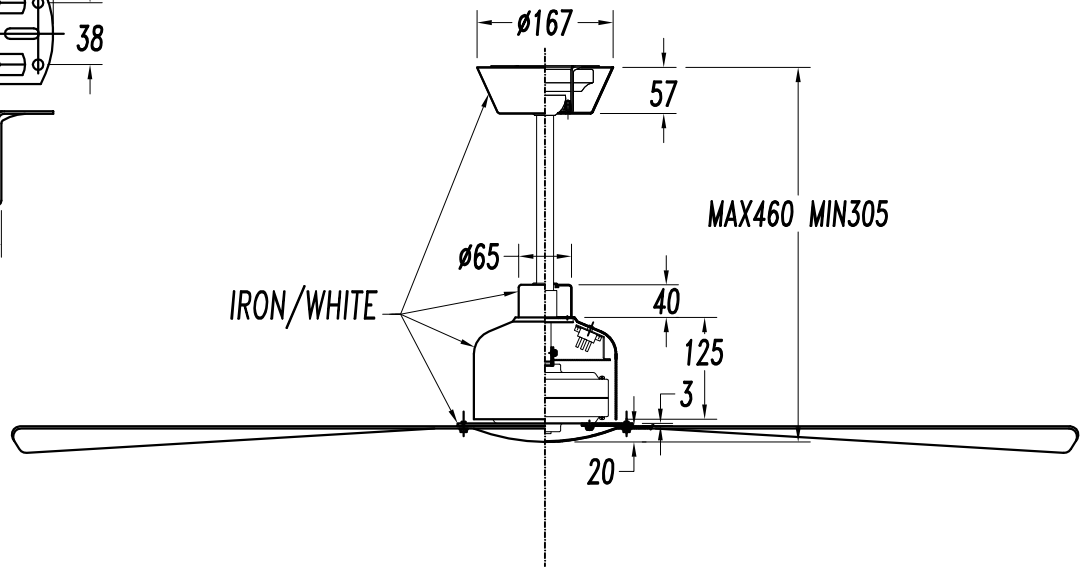
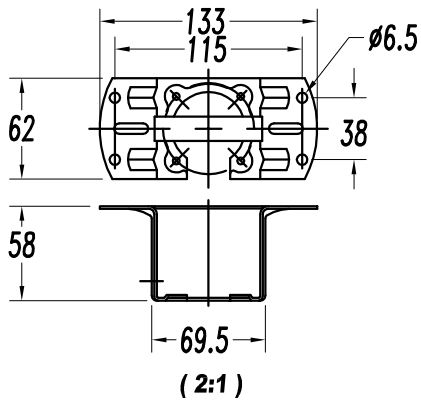
71-1844-CF-CF



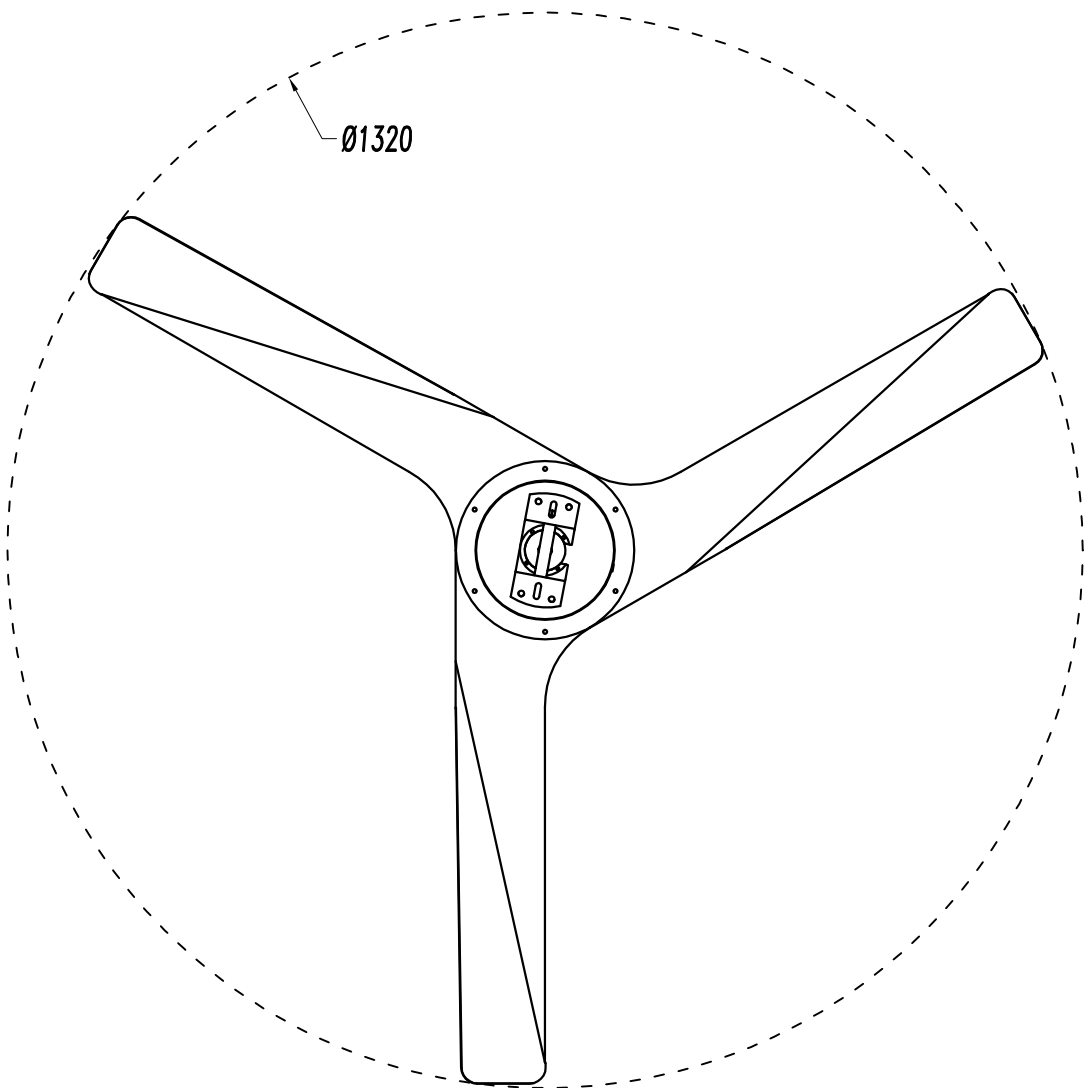
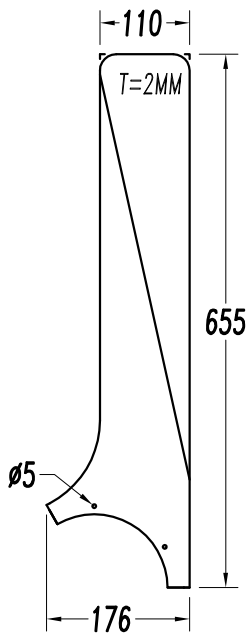
Structure material:
Structure finish:

Steel
Shiny white





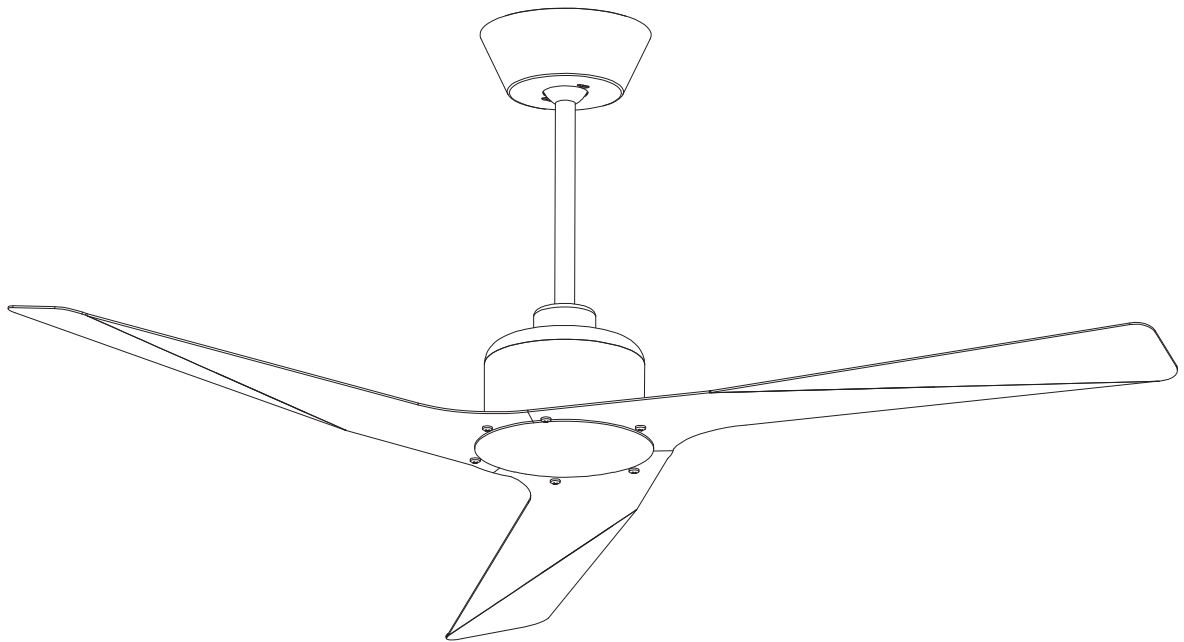
ALUMINIUM /WHITE

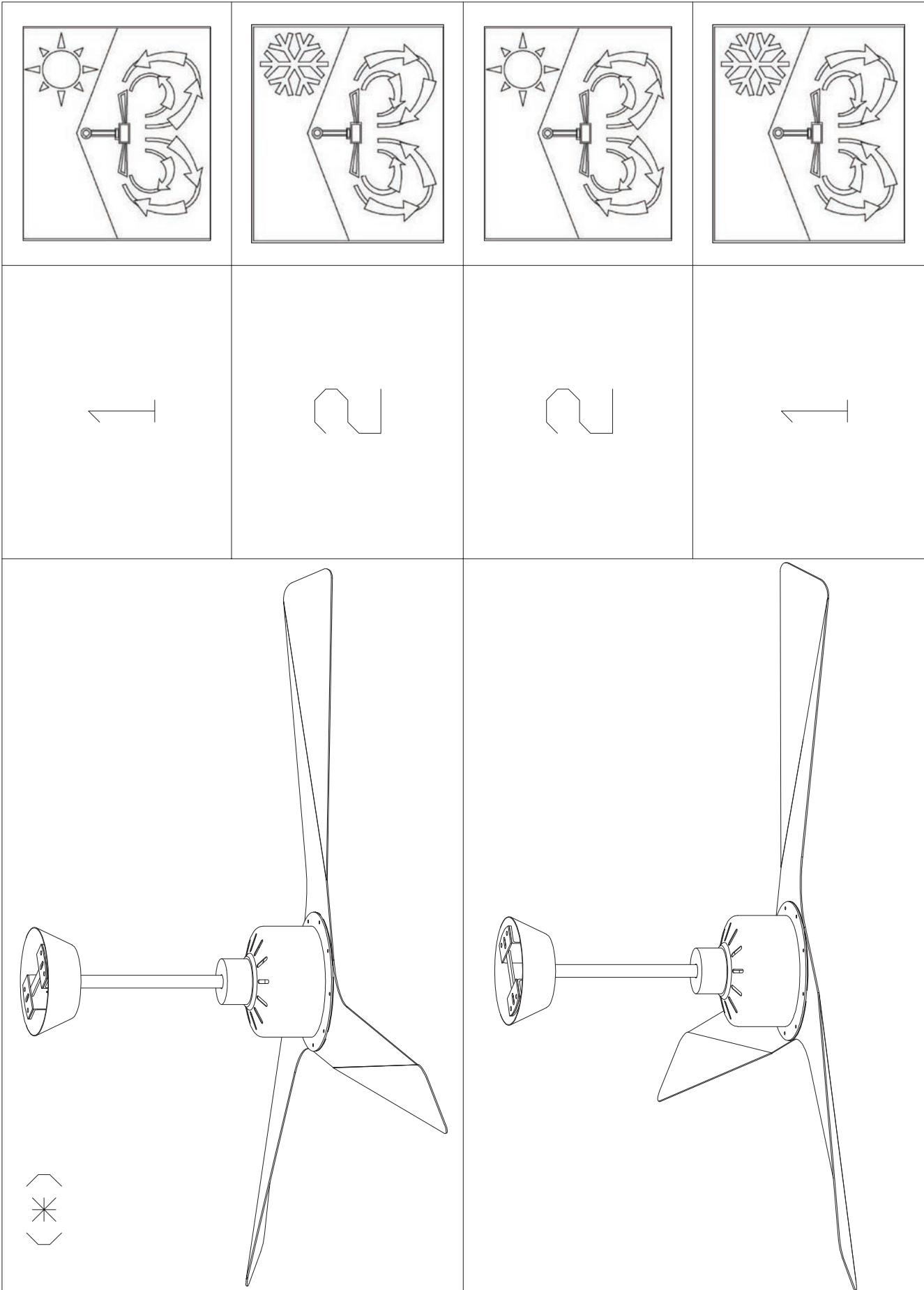


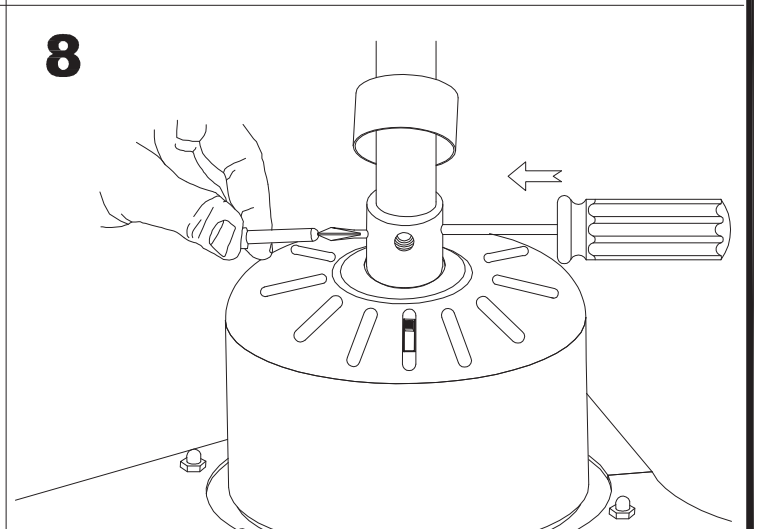
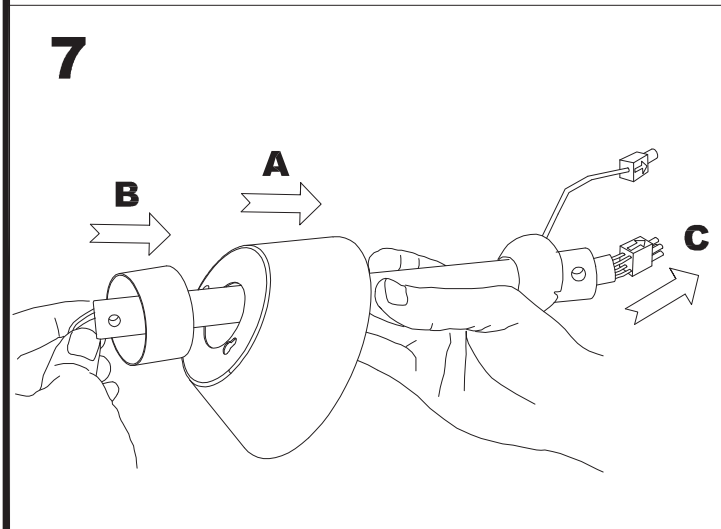
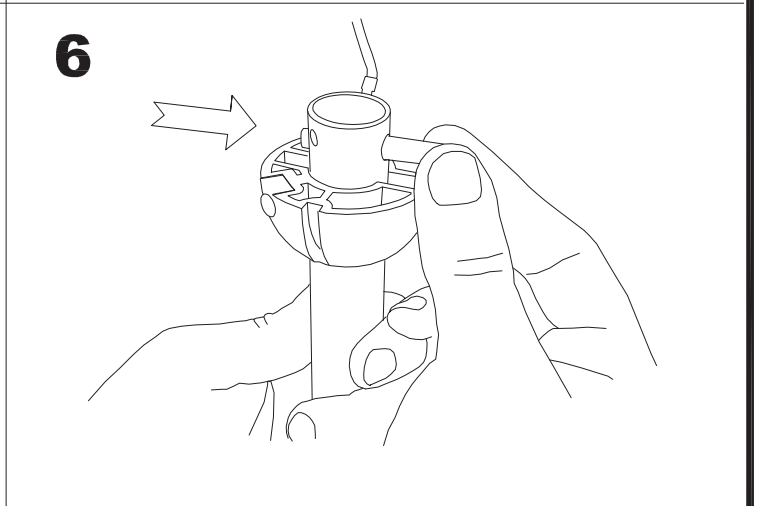
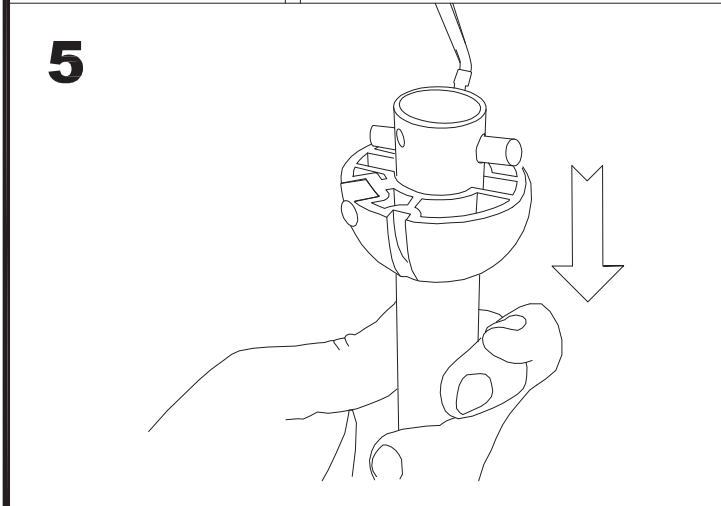
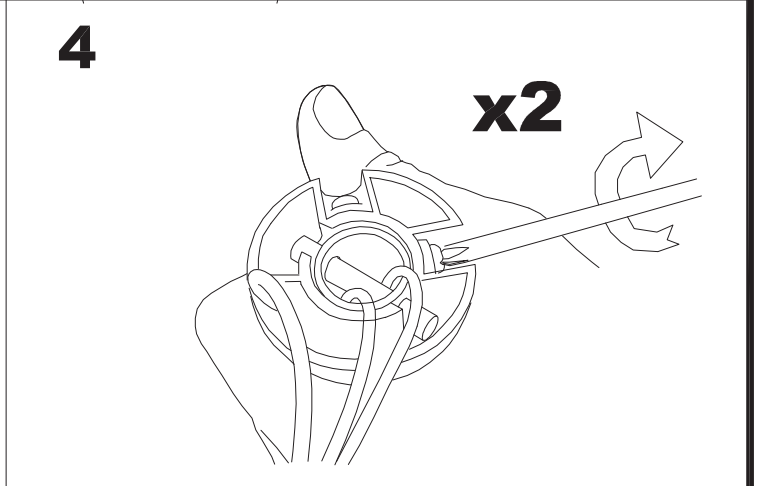
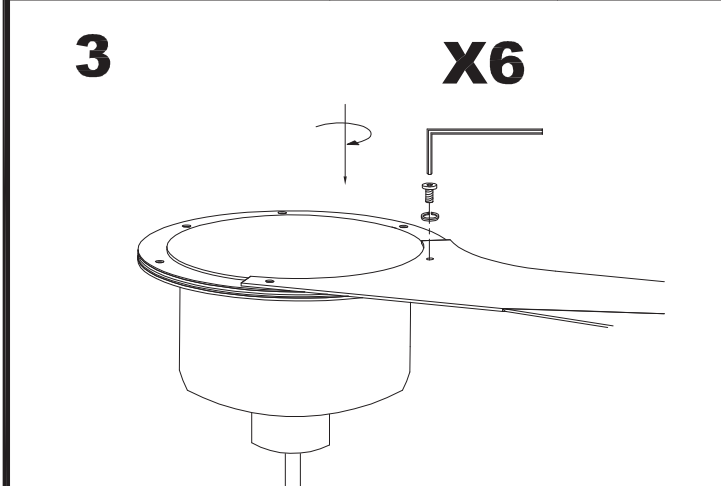
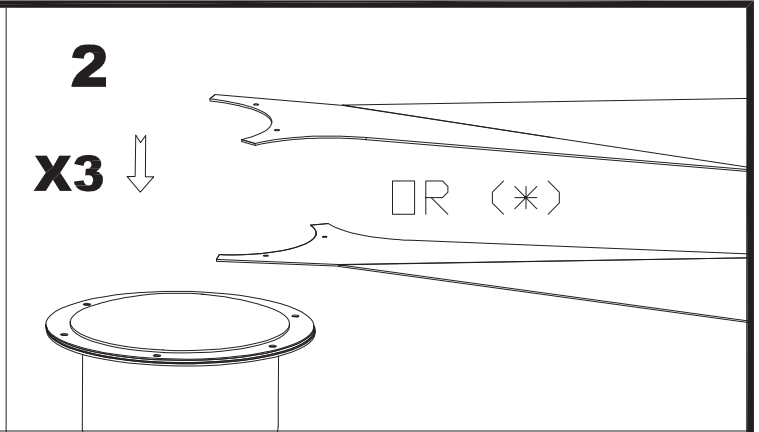
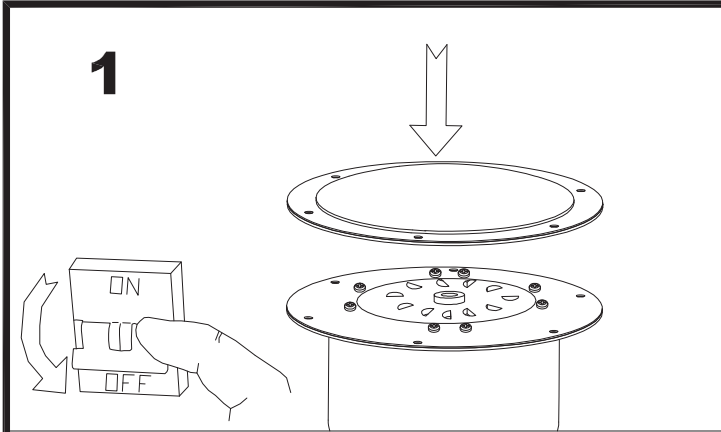


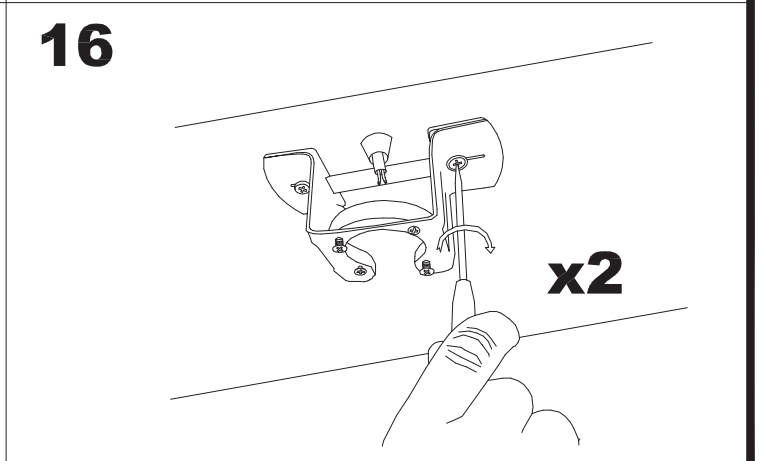
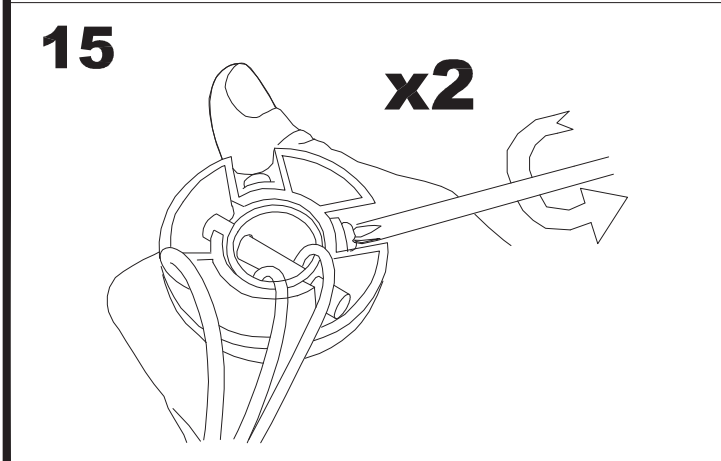
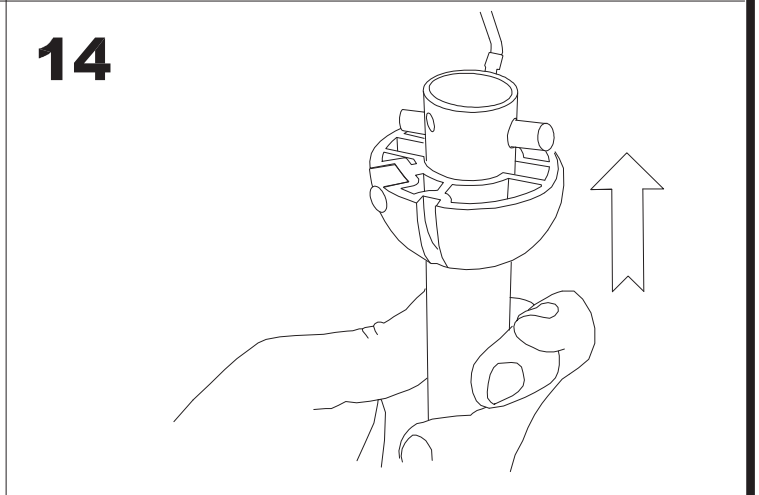
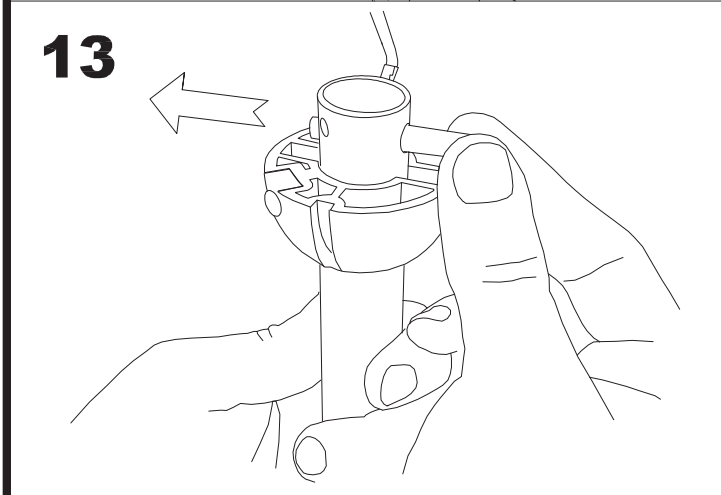
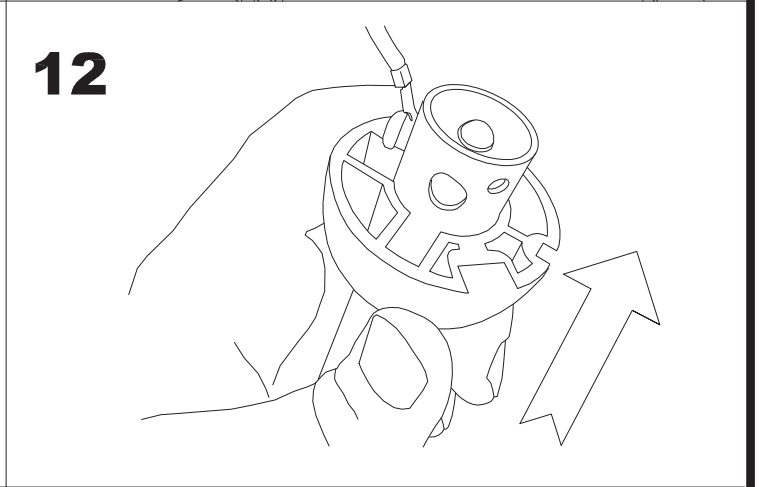
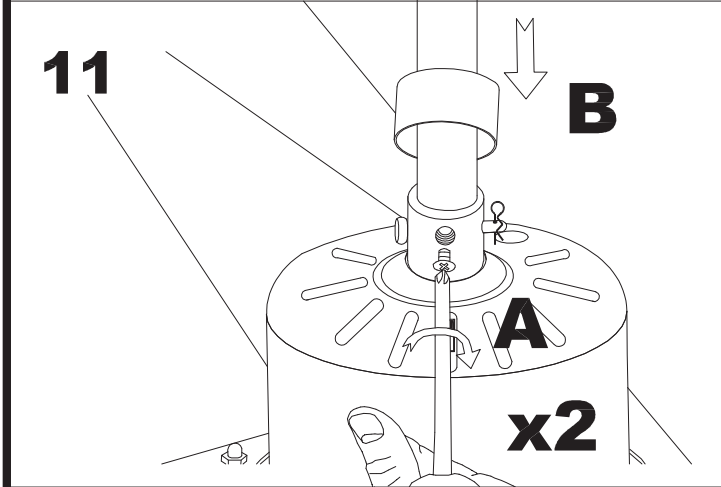
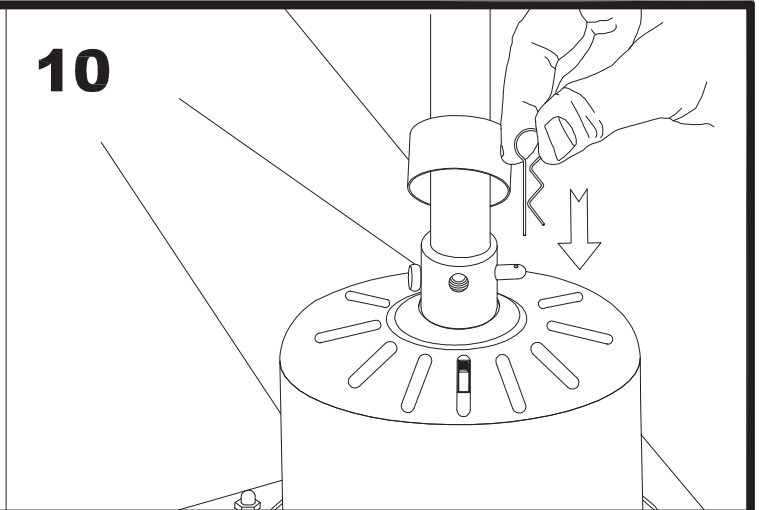
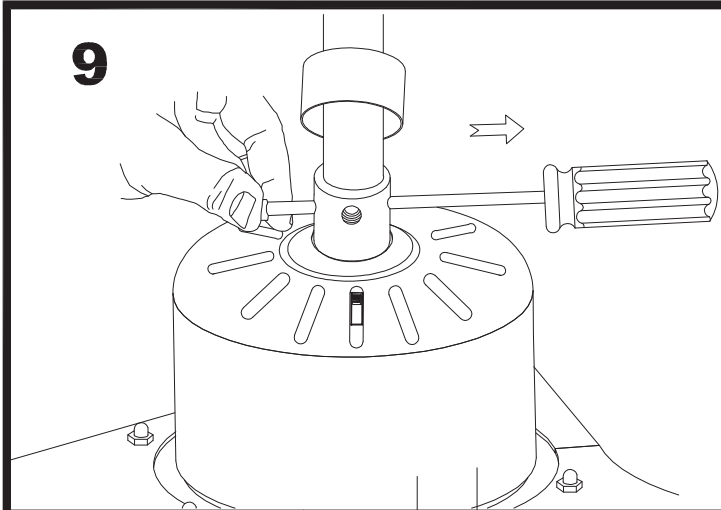
LED S-C4

30-4356-14-14



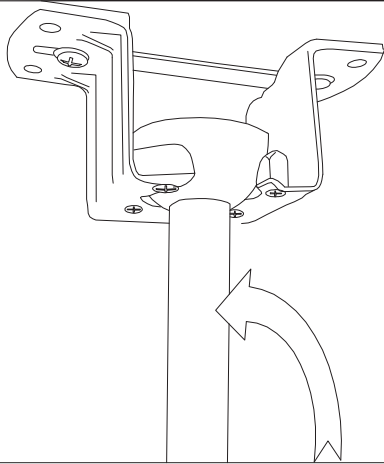




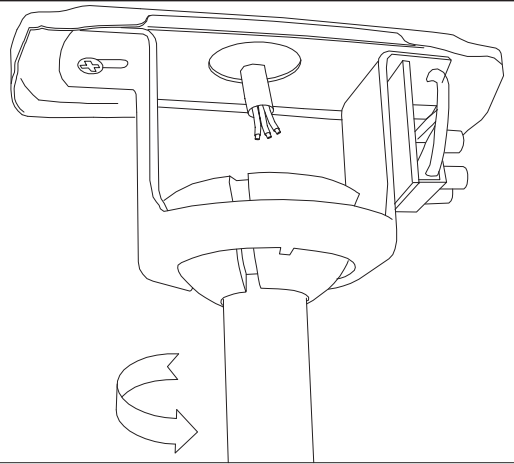




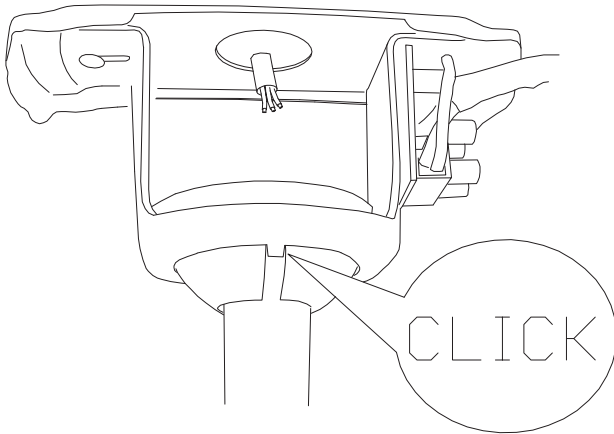
17



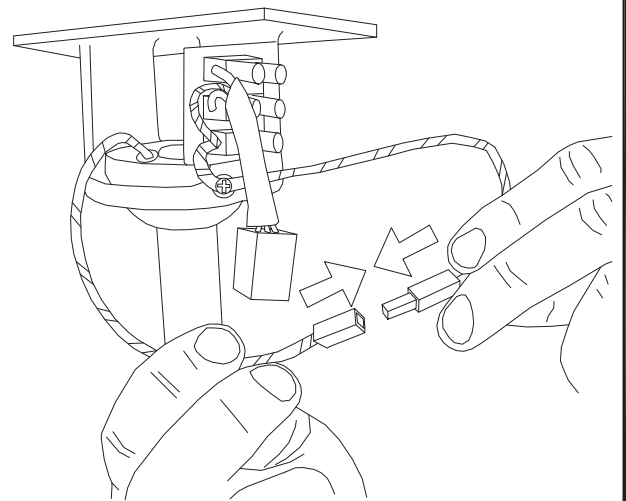
18



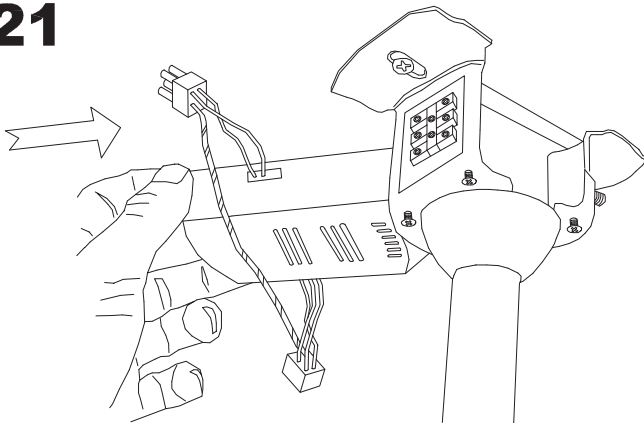
19



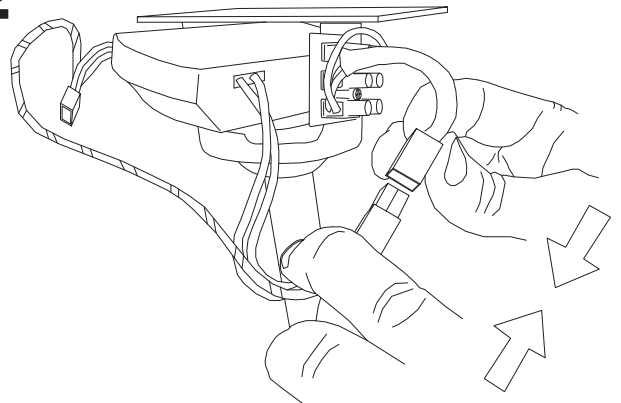
20



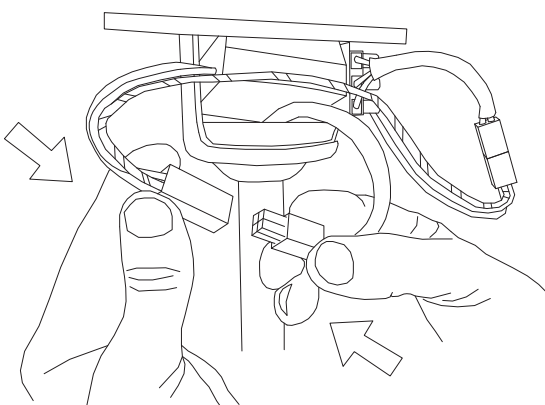
21



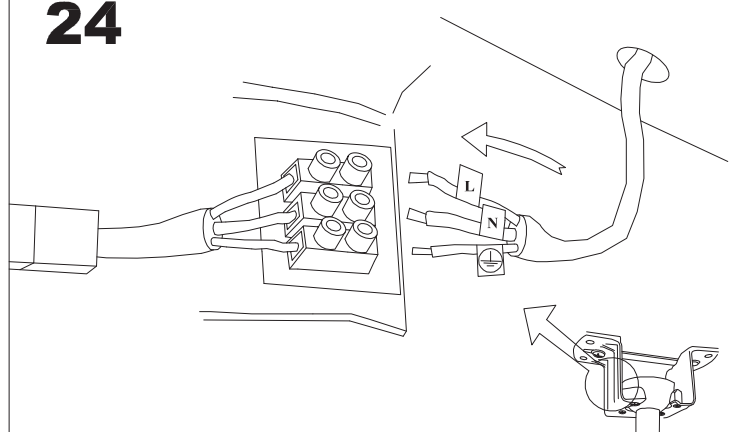
22



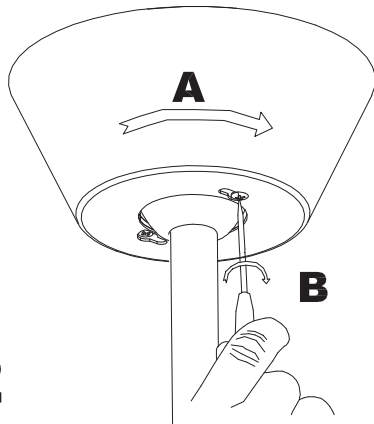
23



24

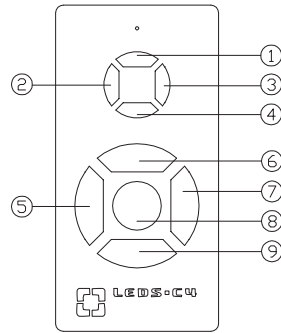


25

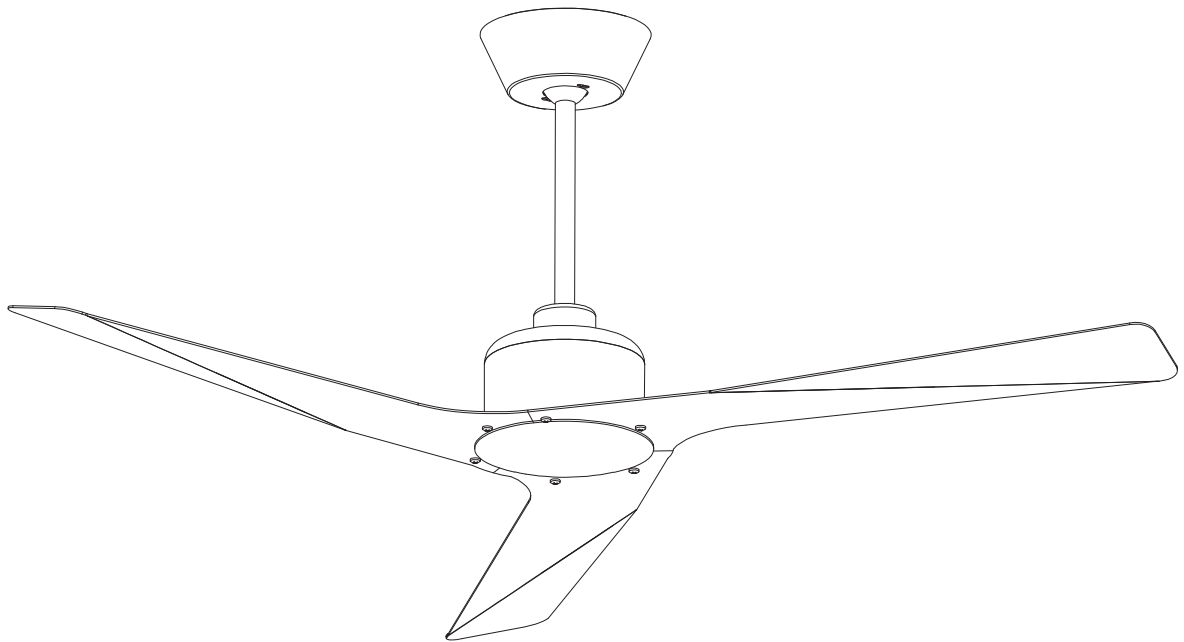


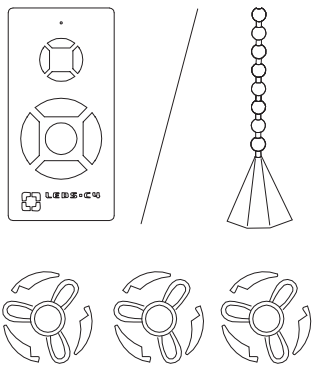
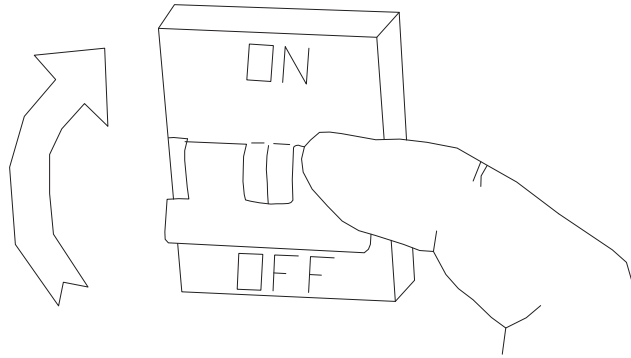
X2

26

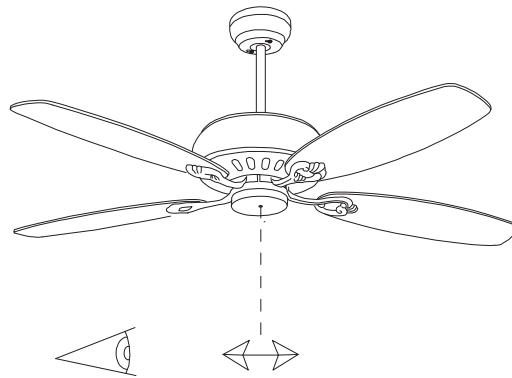


①	
②	
③	
④	
⑤	
⑥	
⑦	
⑧	STOP
⑨	

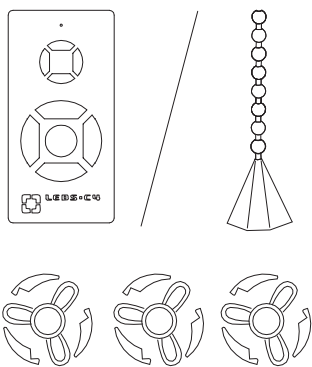




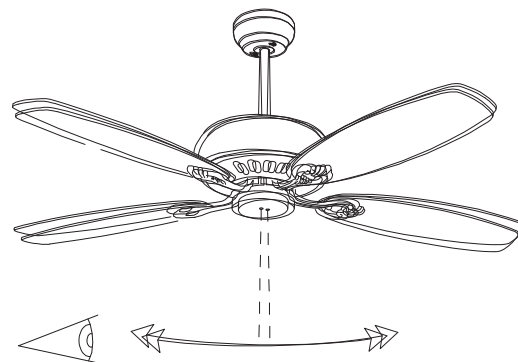
ON



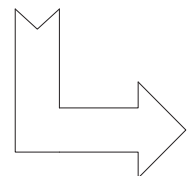
OK

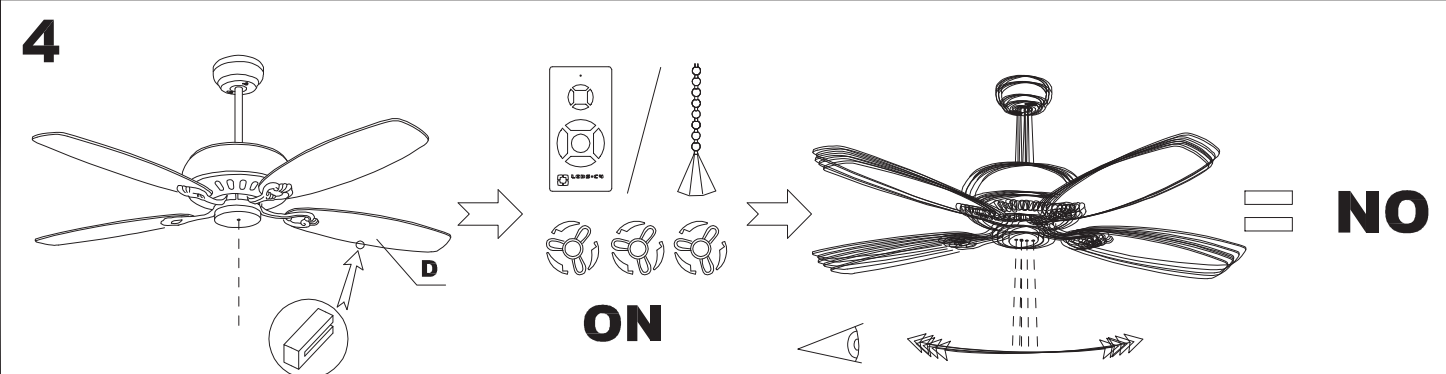
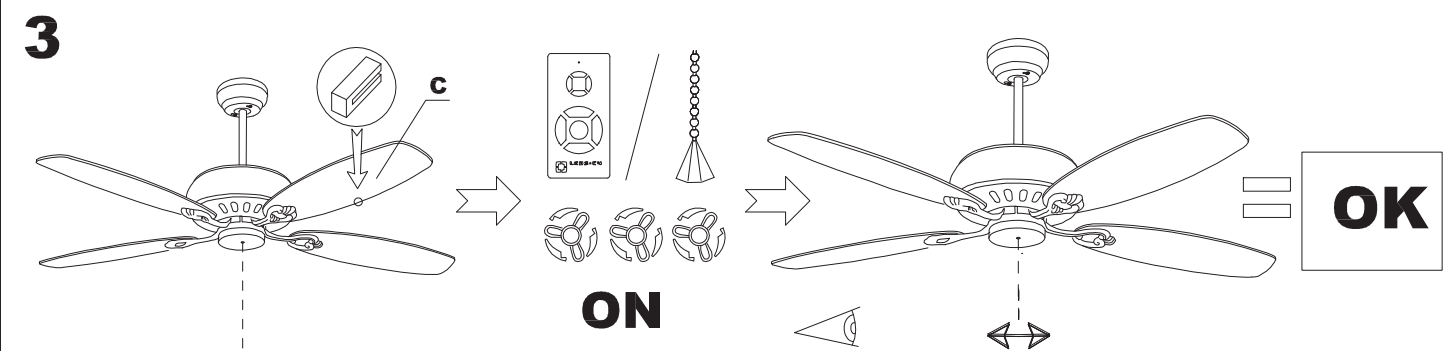
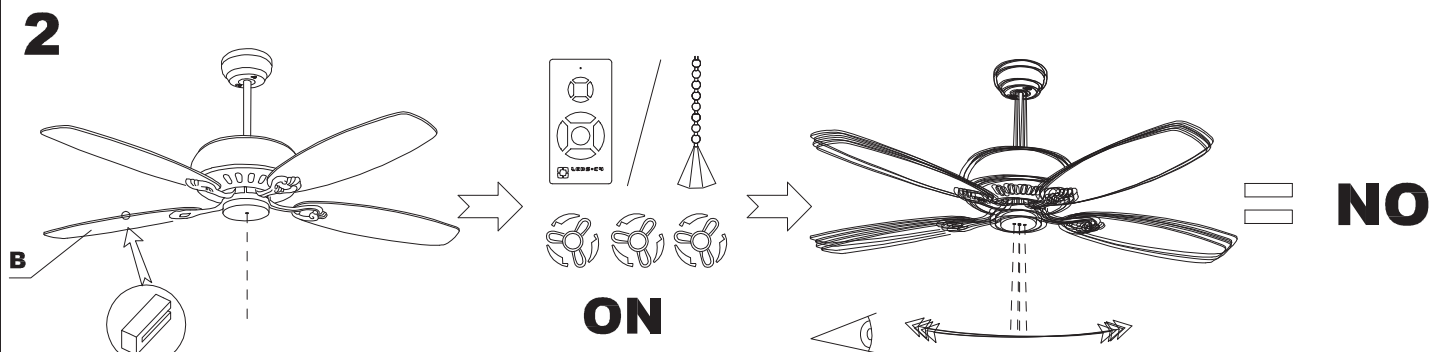
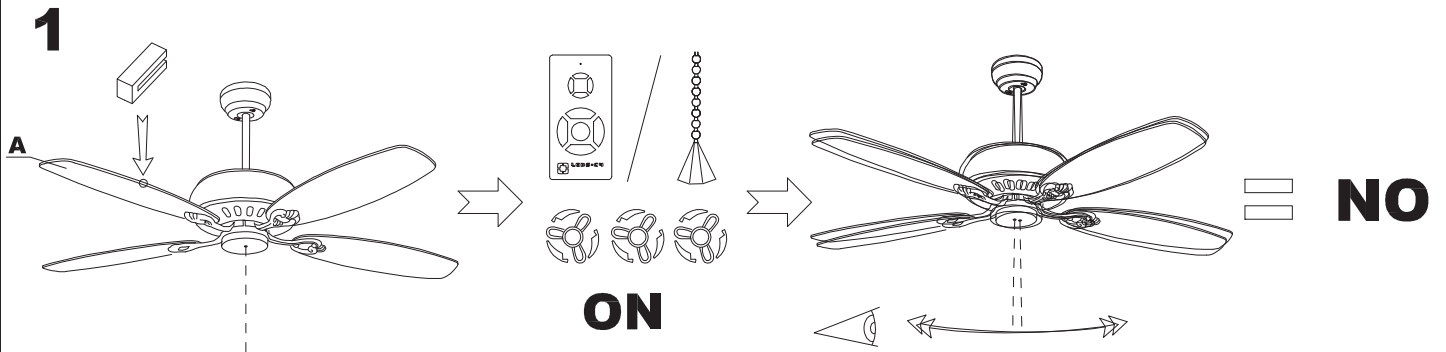
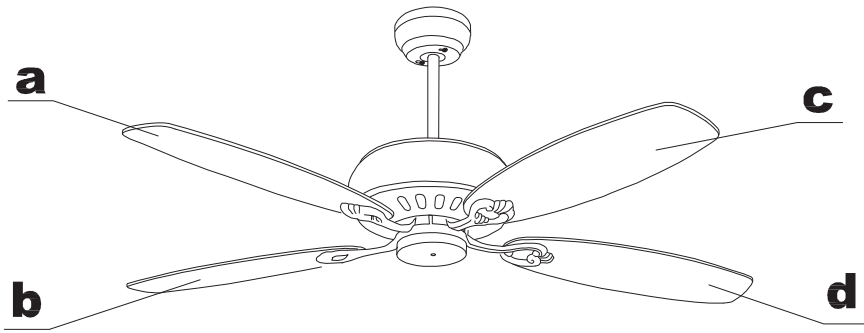


ON

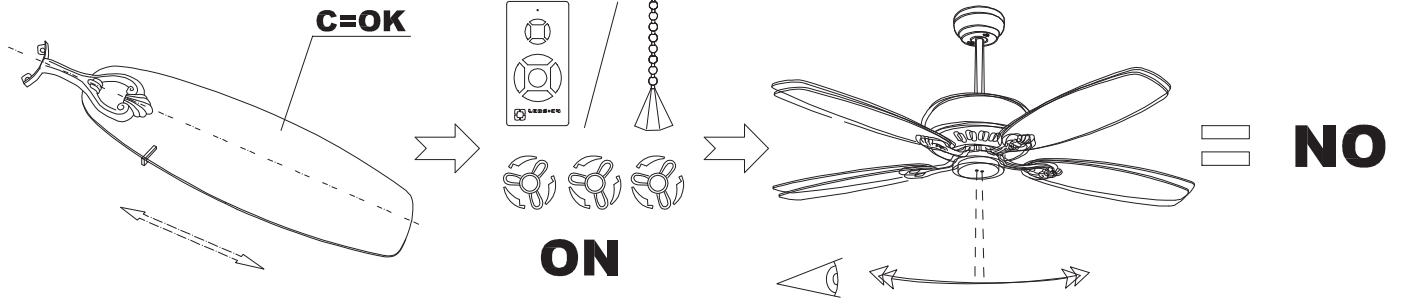


NO

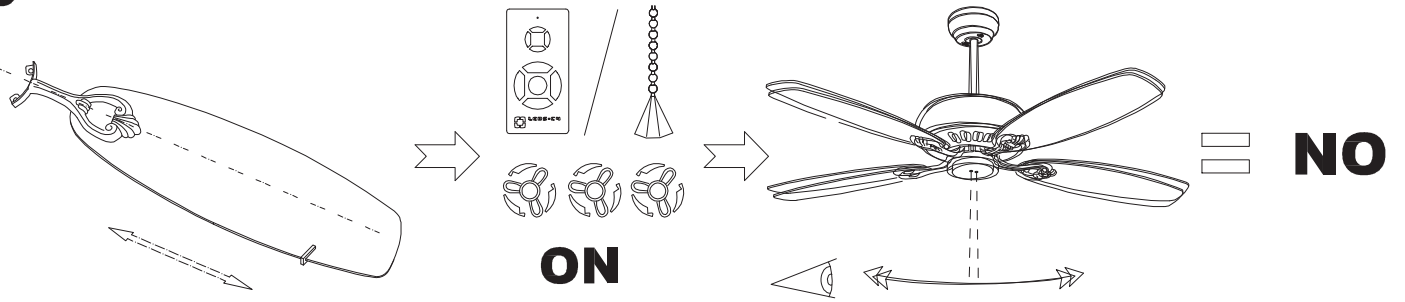




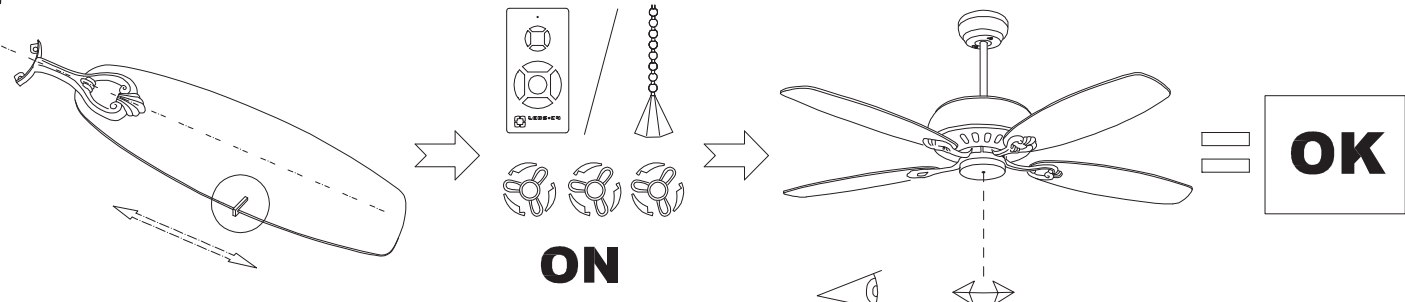
5



6



7



8

