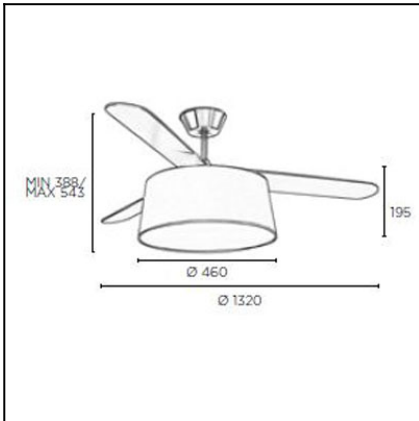




The photograph may not match the reference exactly. Please read the product description to identify the finish.



### TECHNICAL CHARACTERISTICS

Type:	Fan
RPM:	80/140/190
IP Protection degrees:	IP20
Lampholder:	3 x E27
Power (W):	E27 60 W
Total power consumption (W):	230
Voltage / Frequency:	230V/50Hz
Warranty (Years):	2
Units per box:	2
Net Weight (Kg):	6.37
EAN:	8435111076934,00



### MATERIALS / FINISHES

- Structure material:** Steel
- Structure finish:** Satin nickel
- Blades material:** Plywood
- Blades finishes:** Textured grey  
Wenge-painted finish

Download photometric file .ldt /.ies

71-1843-81-81



**Structure material:**  
**Structure finish:**

Steel  
Satin nickel

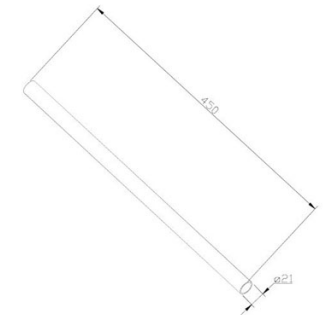


71-1844-81-81



**Structure material:**  
**Structure finish:**

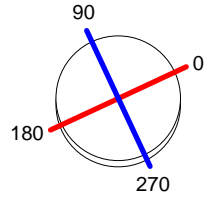
Steel  
Satin nickel



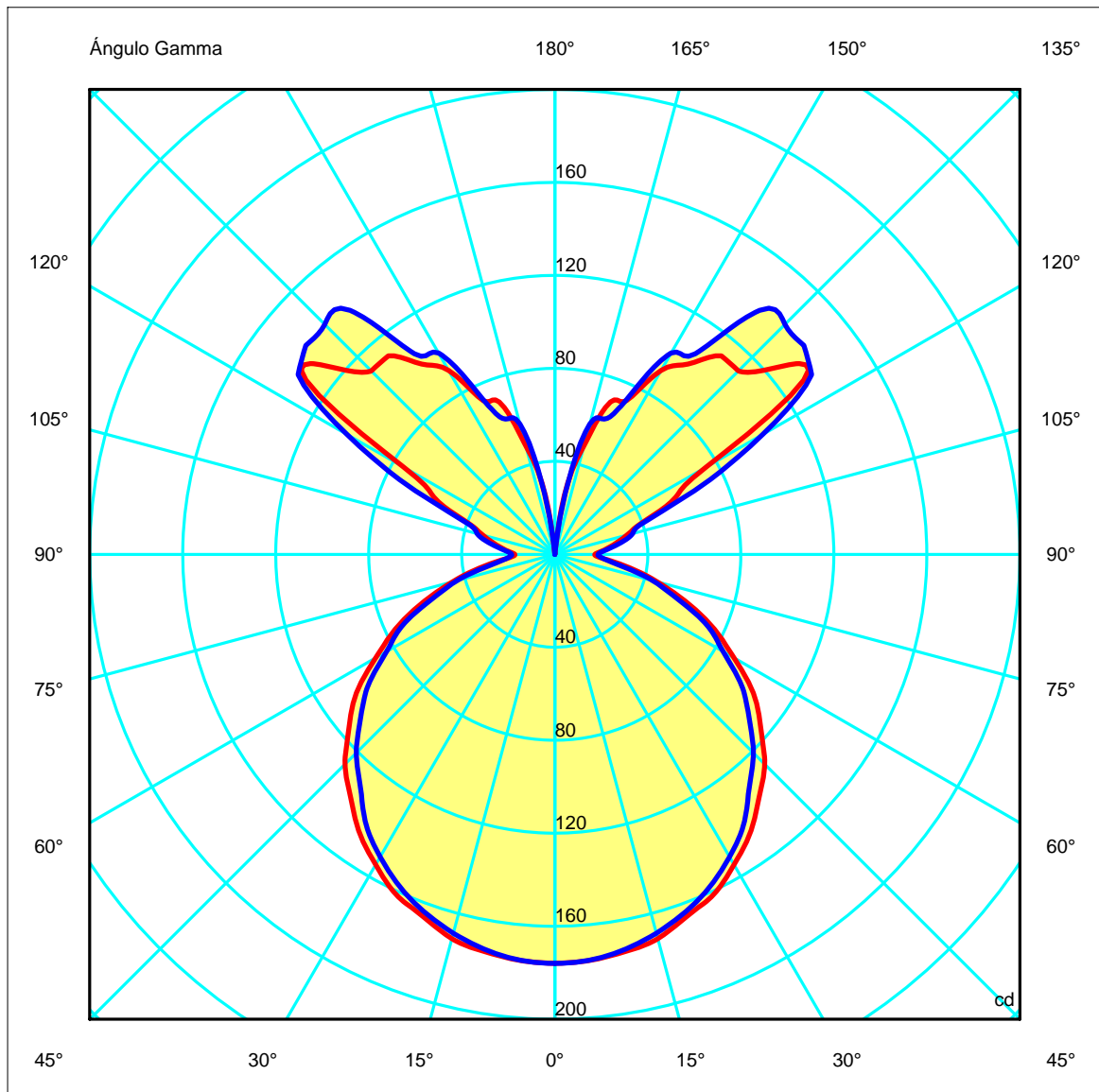
<b>Luminaria</b>		<b>Ensayo</b>		<b>Lámpara</b>	
Código	30-4357-81-82	Código	30-4357-81-82	Código	CLAS A CL 60
Nombre	Colgante 3x60W incan. E27 opal	Nombre	Colgante 3x60W incand E27 opal	Número	3
Familia	- LEDS-C4	Fecha	05-10-2010	Posición	Universal
Eficiencia	45.69%	Sist. de Coorden.	C-G	Flujo Total	2130.00 lm
Valor Máximo	175.92 cd	Posición	C=0.00 G=0.00	Bisimétrico	

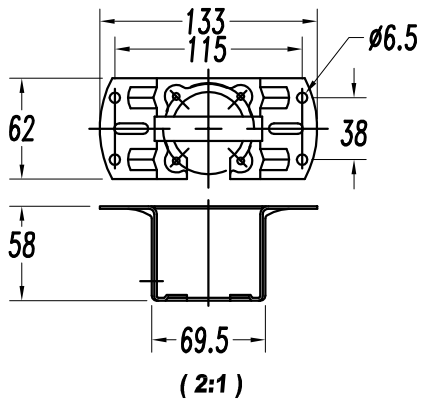
Diam=460mm

Semiplanos C

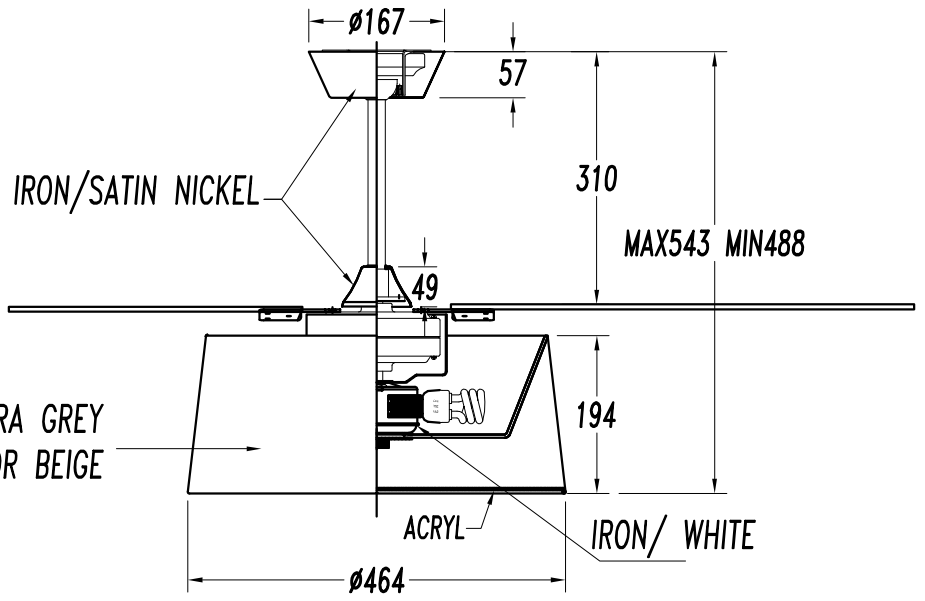


180.0 ——— 0.0  
270.0 ——— 90.0

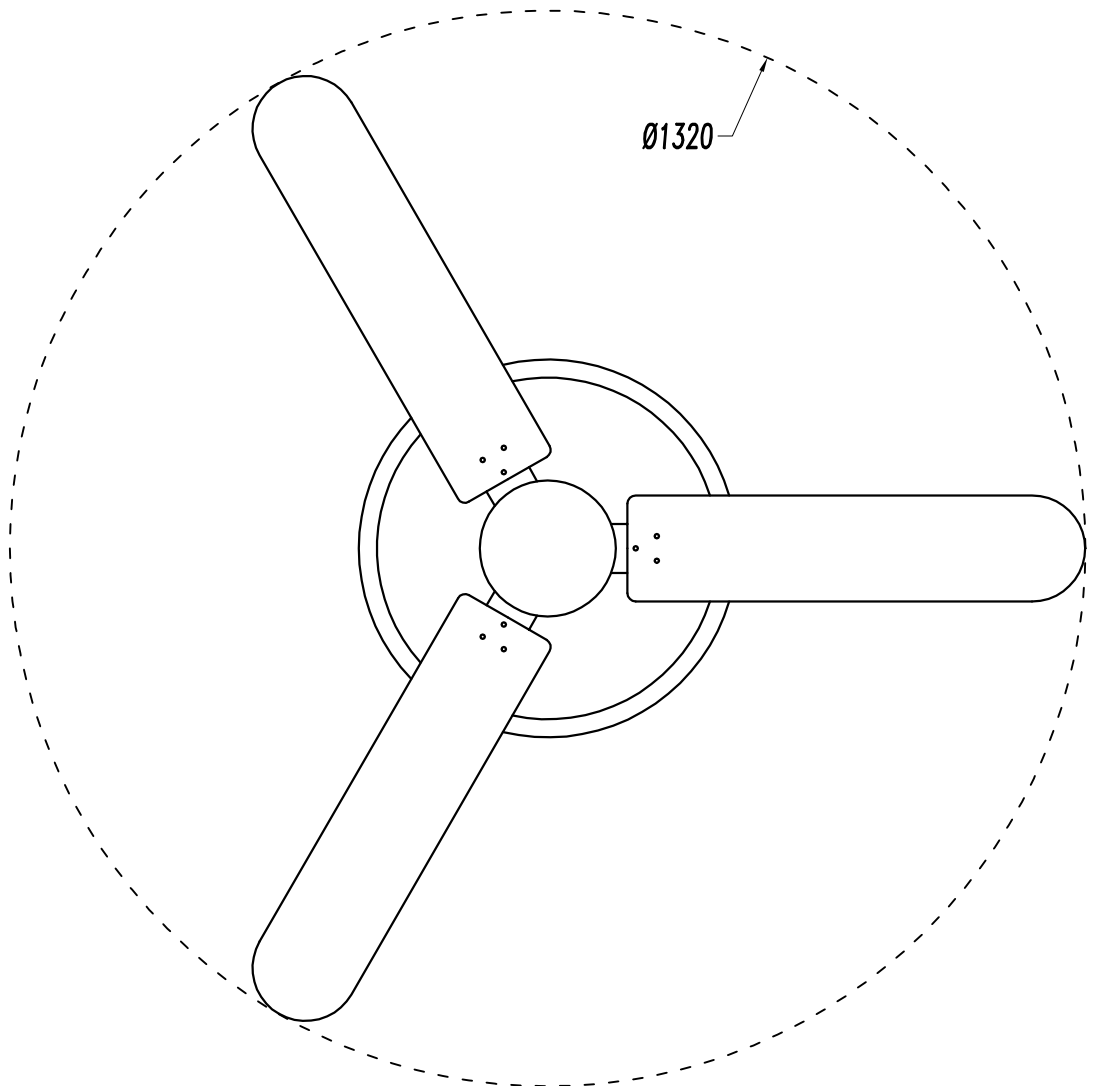
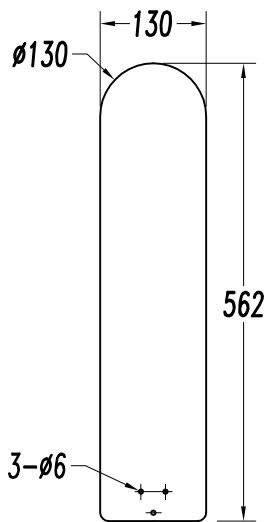




FABRIC SHADE / OPERA GREY  
OR BEIGE



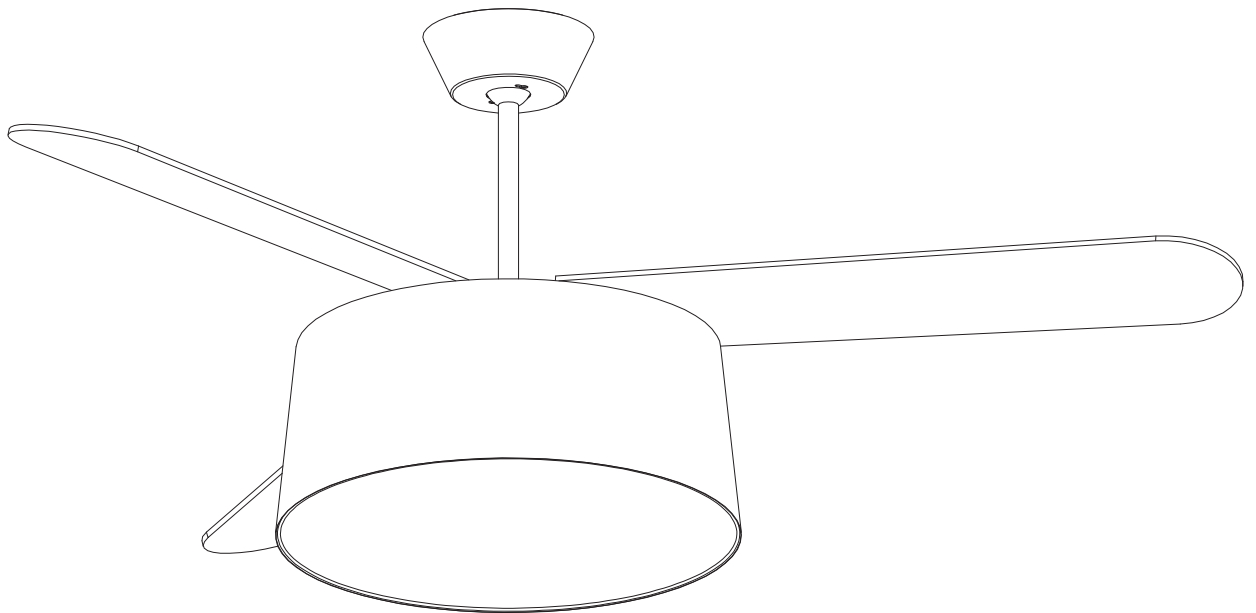
WOOD / GREY&WEBGE

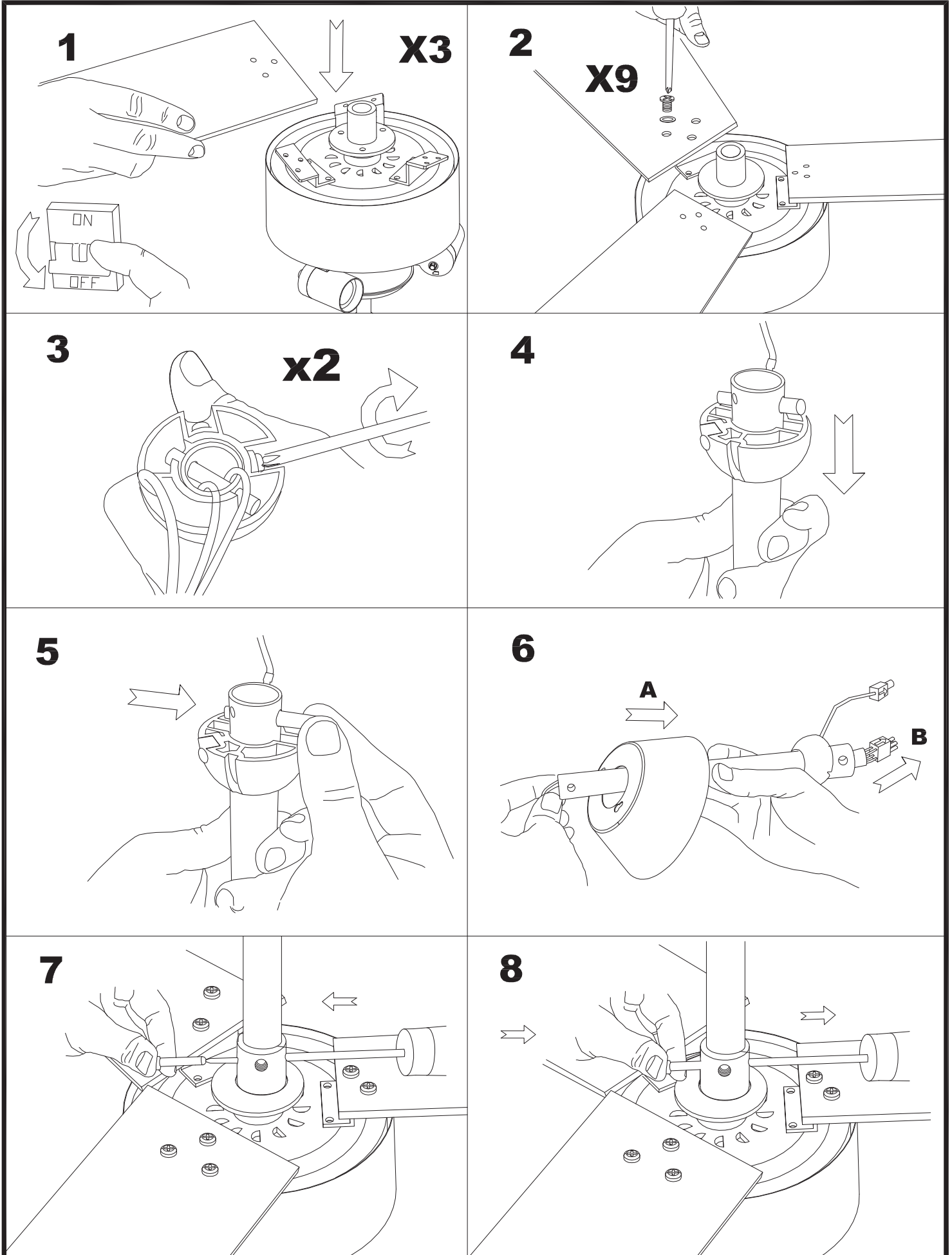


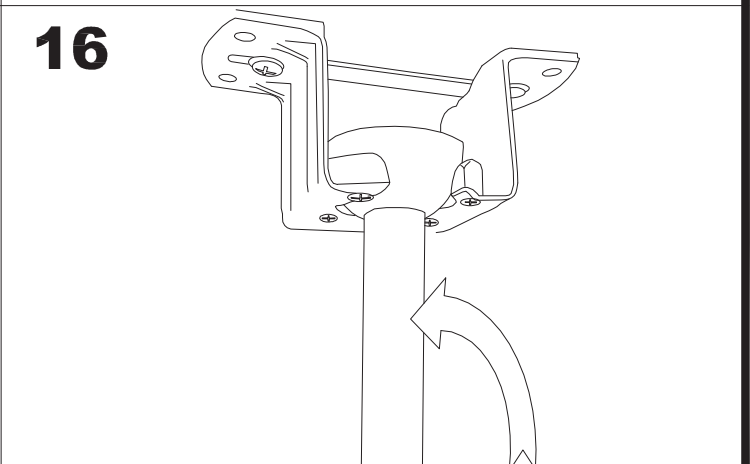
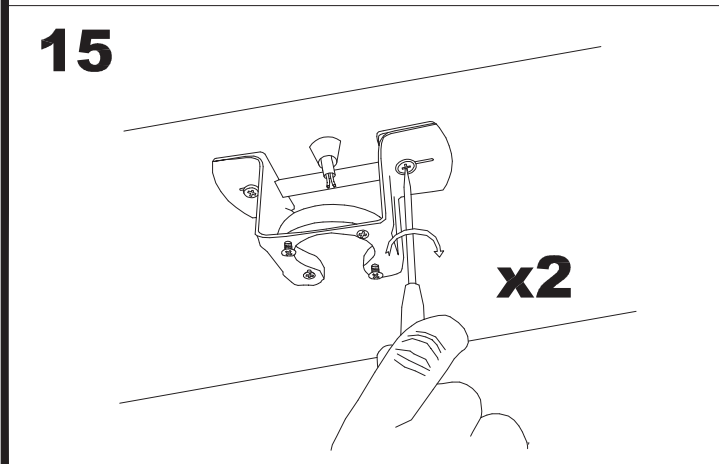
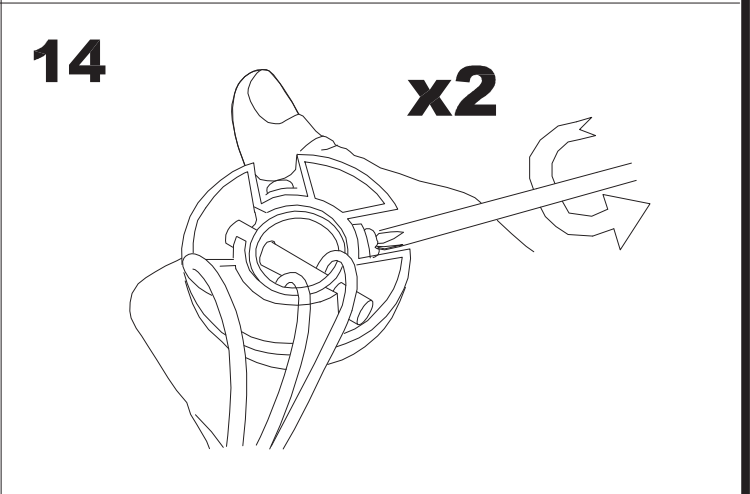
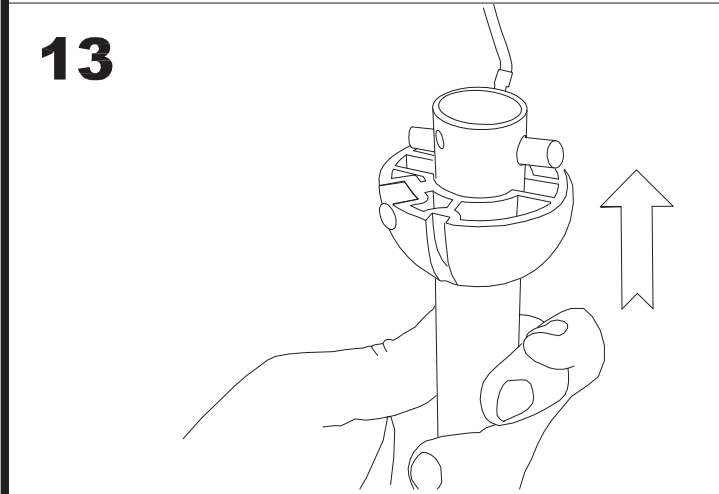
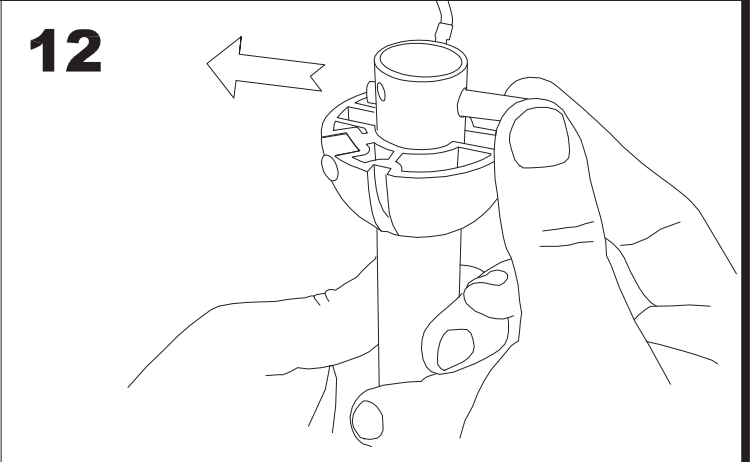
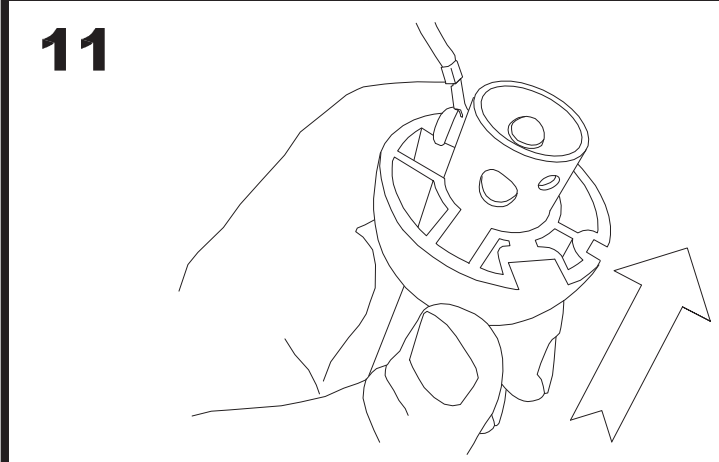
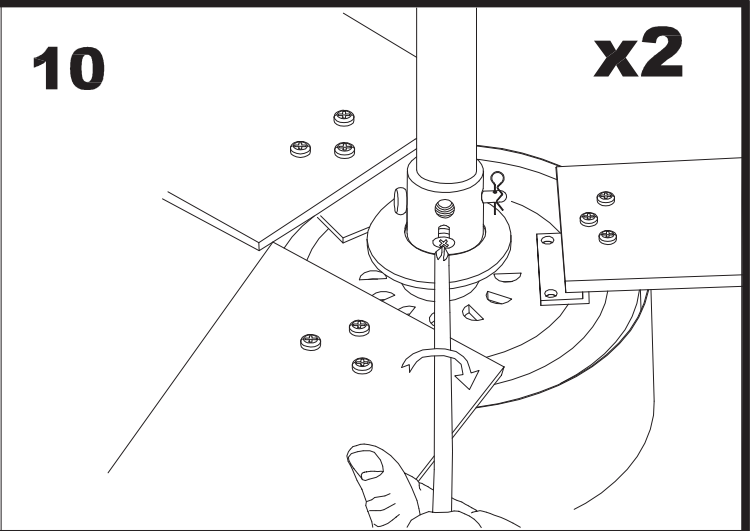
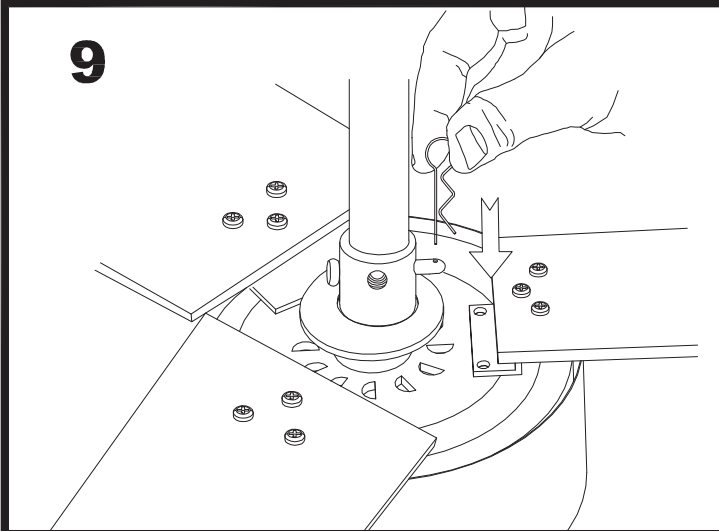


**LED S-C4**

**30-4357-81-82**

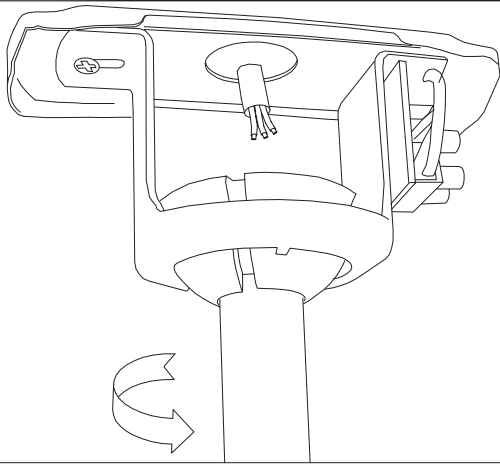




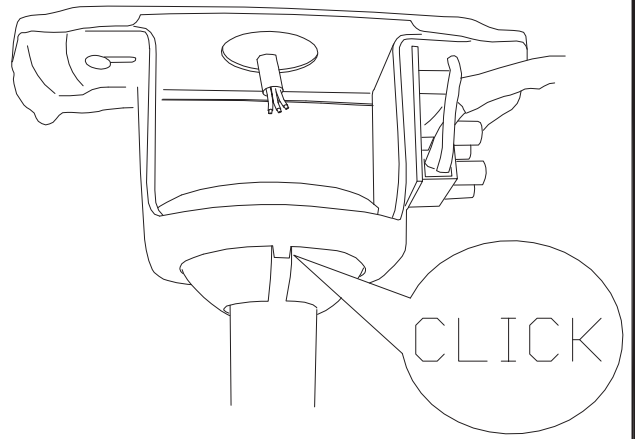




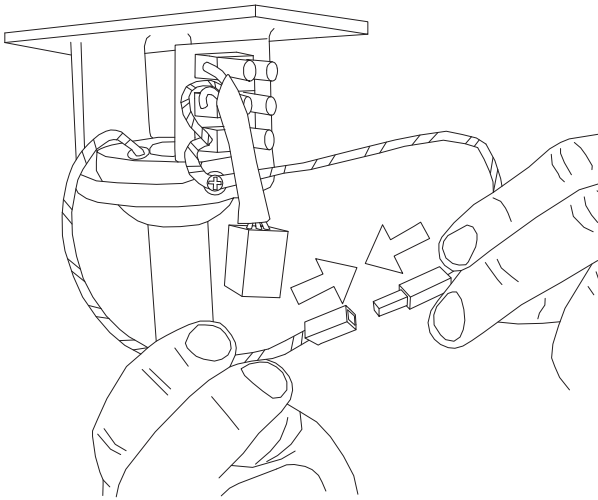
17



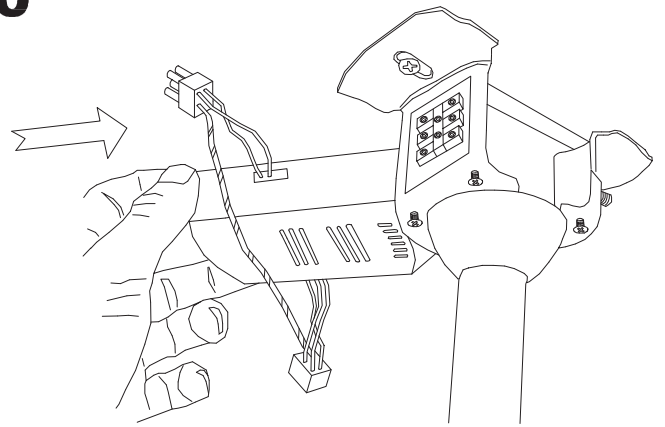
18



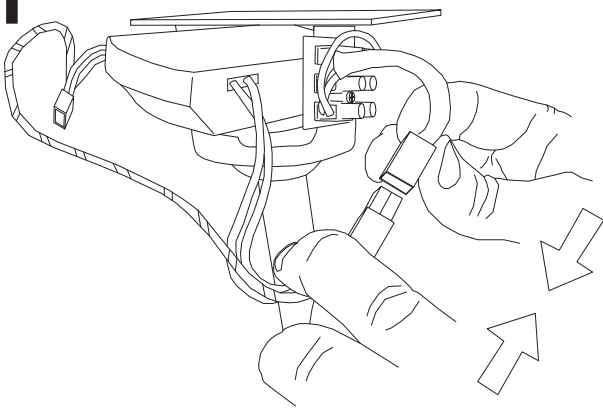
19



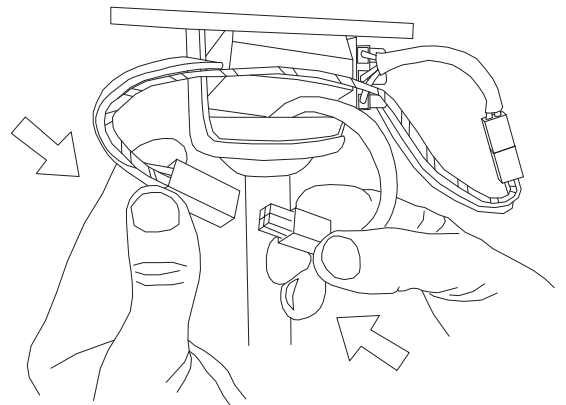
20



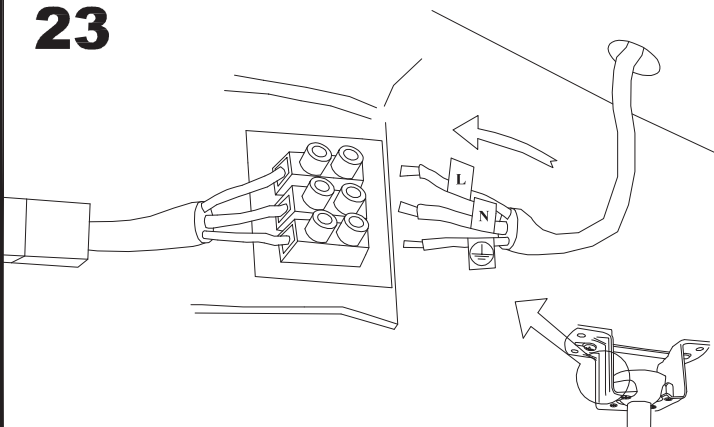
21



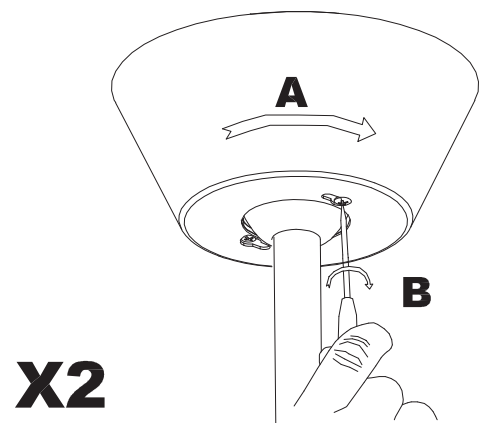
22



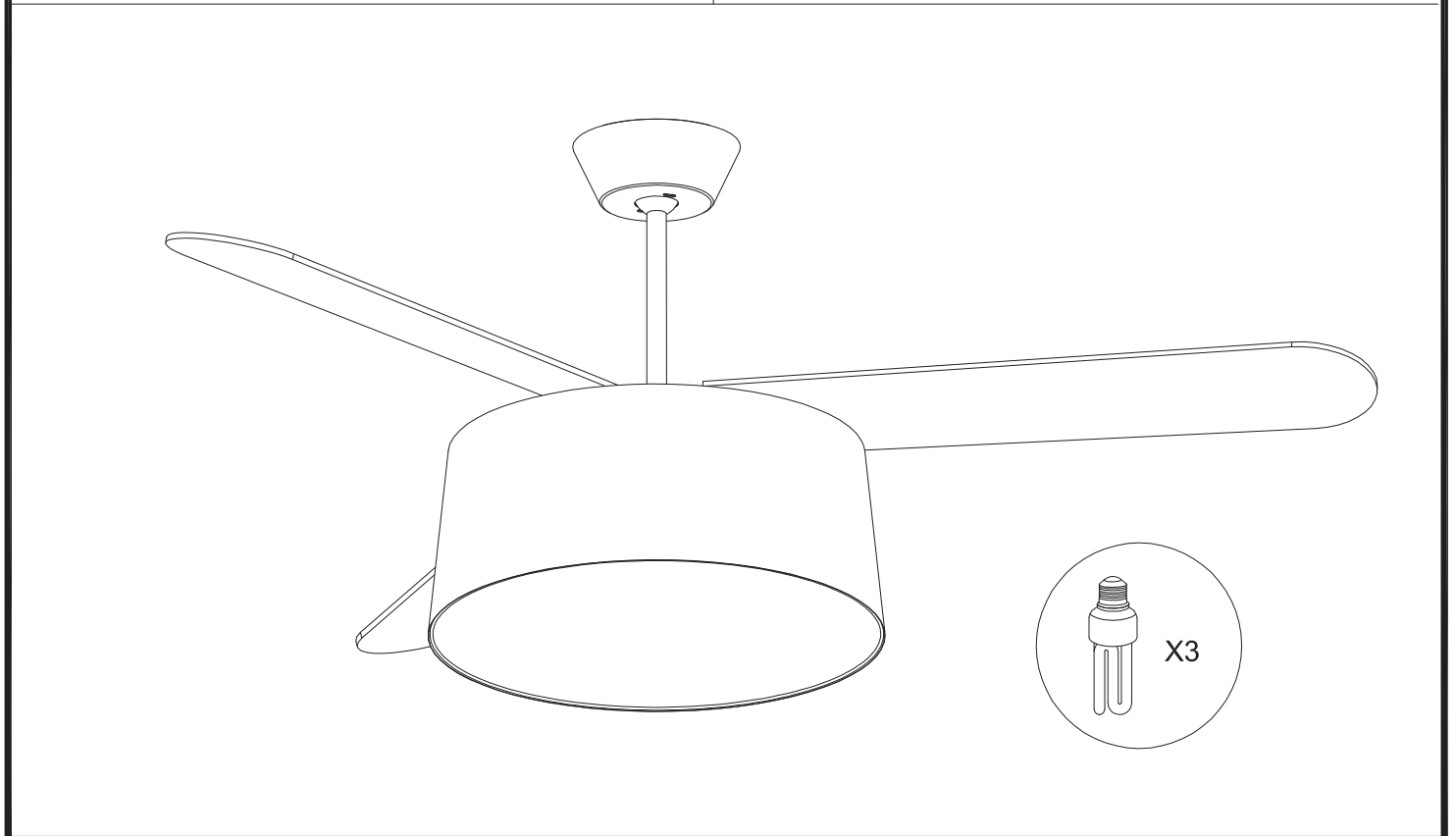
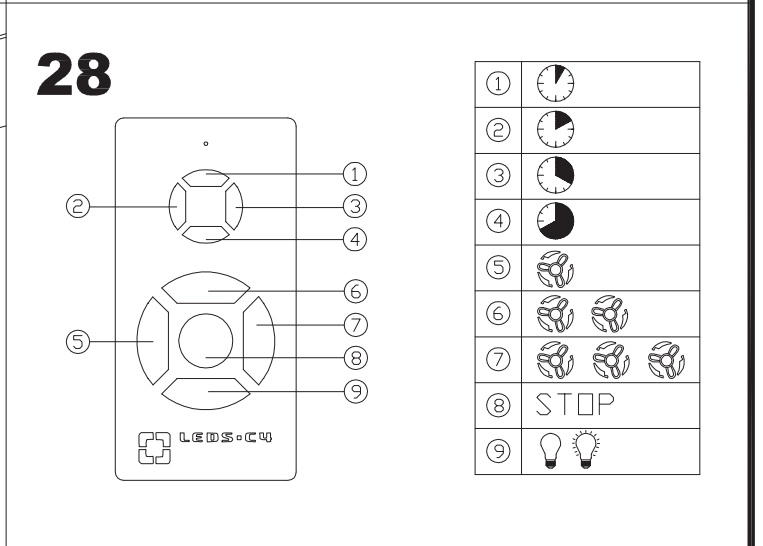
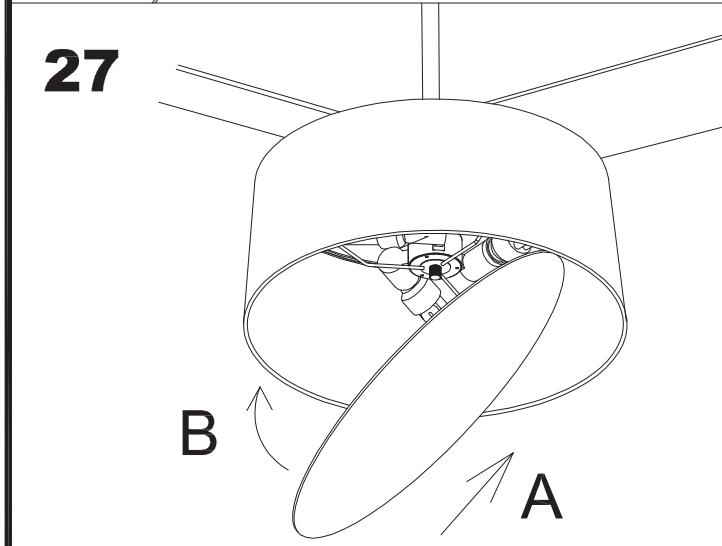
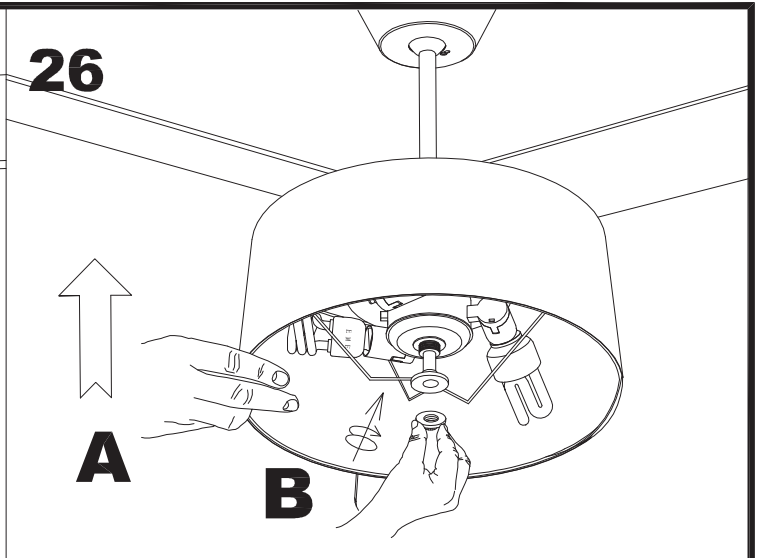
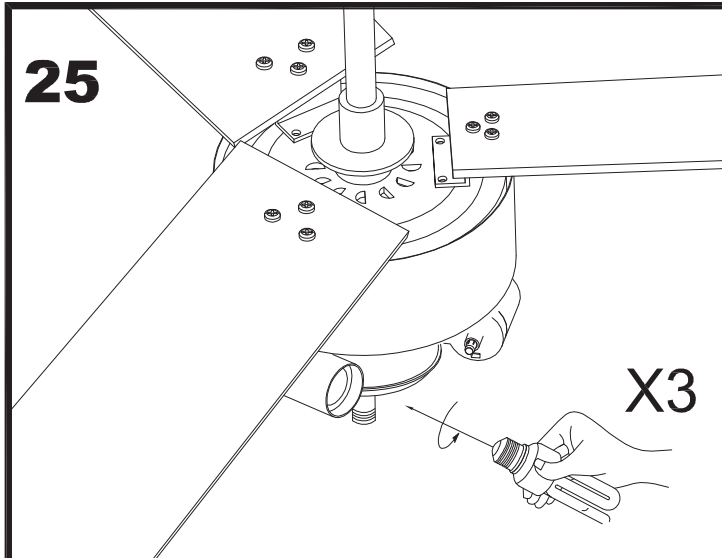
23

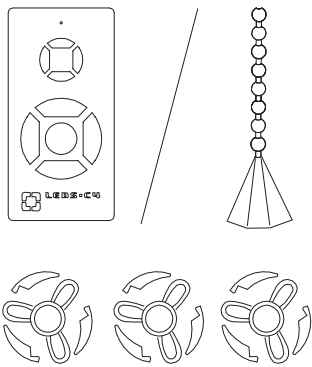
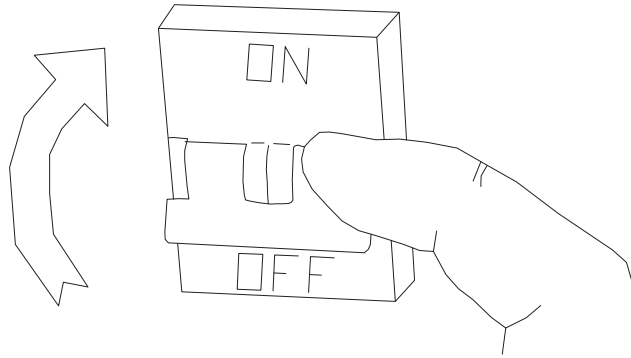


24

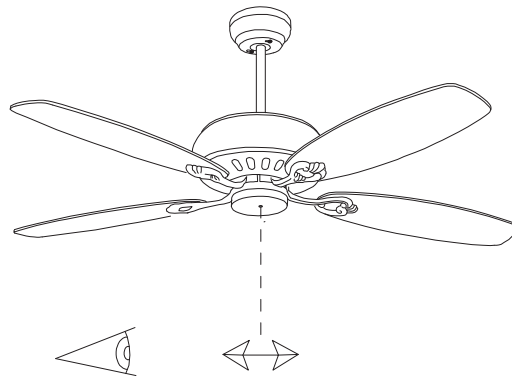




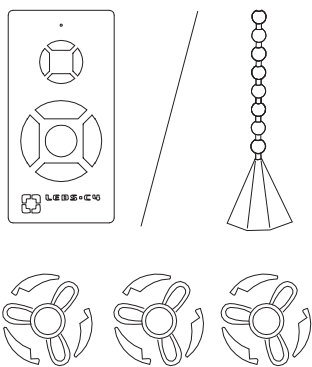




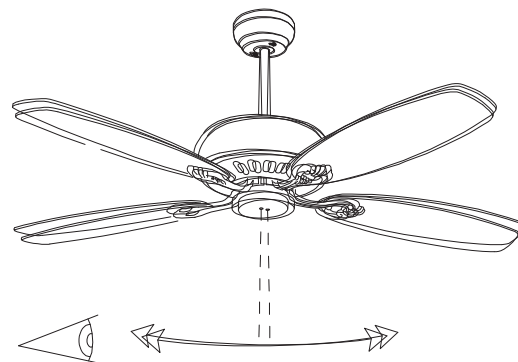
**ON**



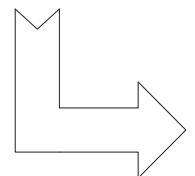
**OK**

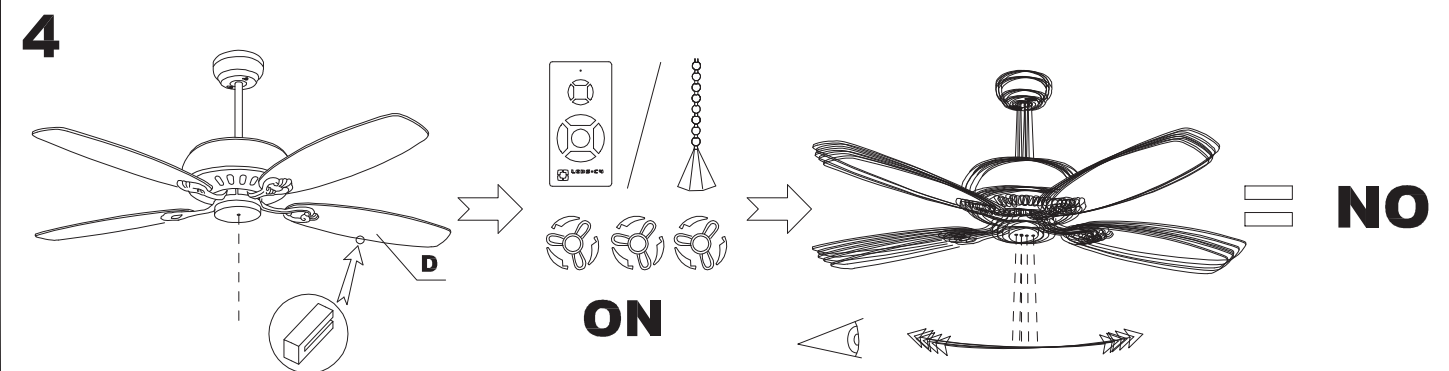
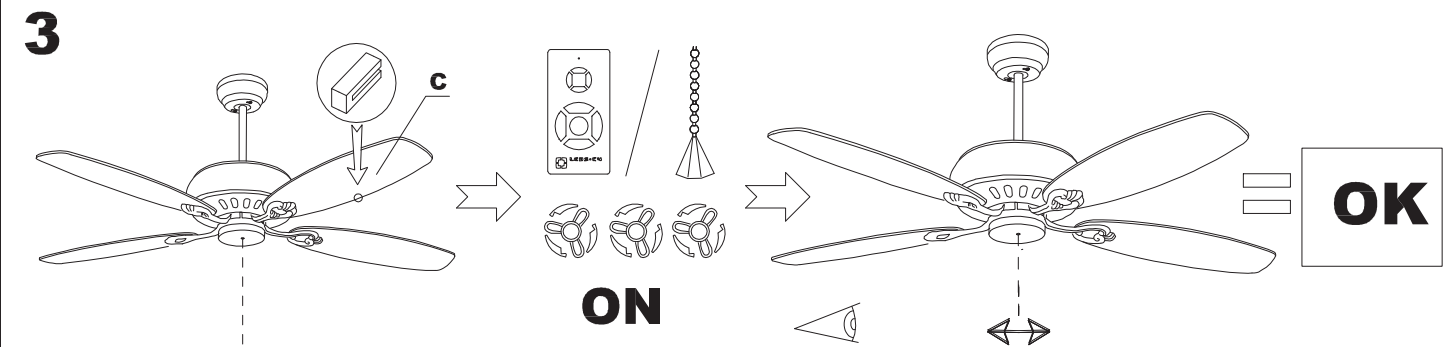
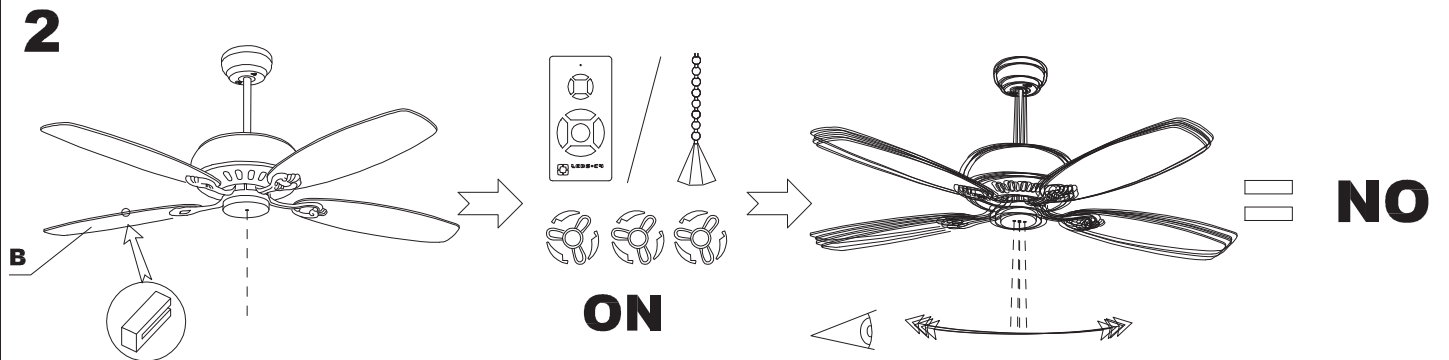
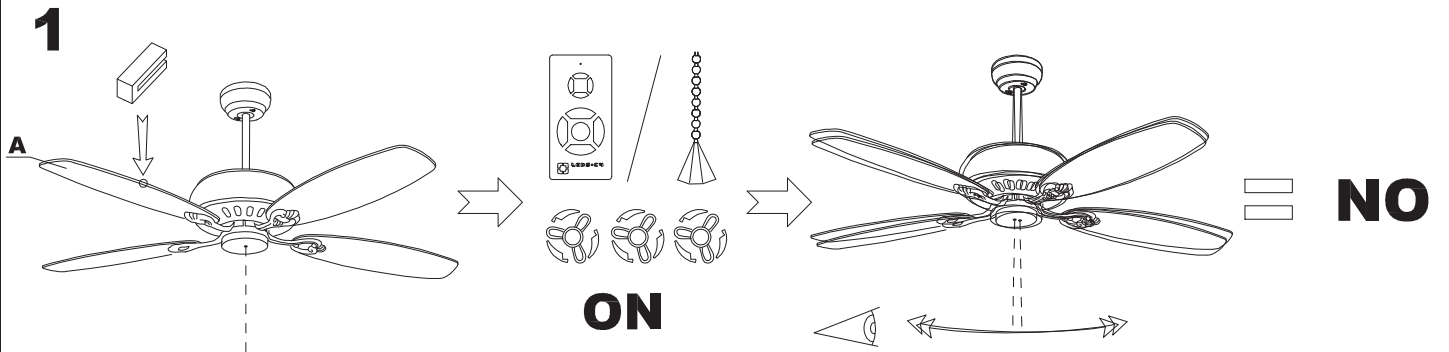
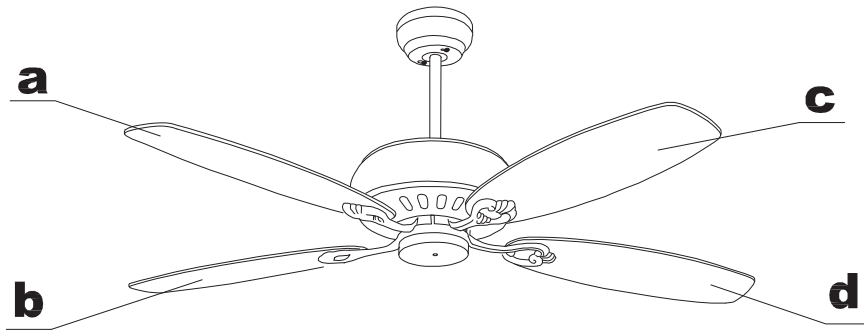


**ON**

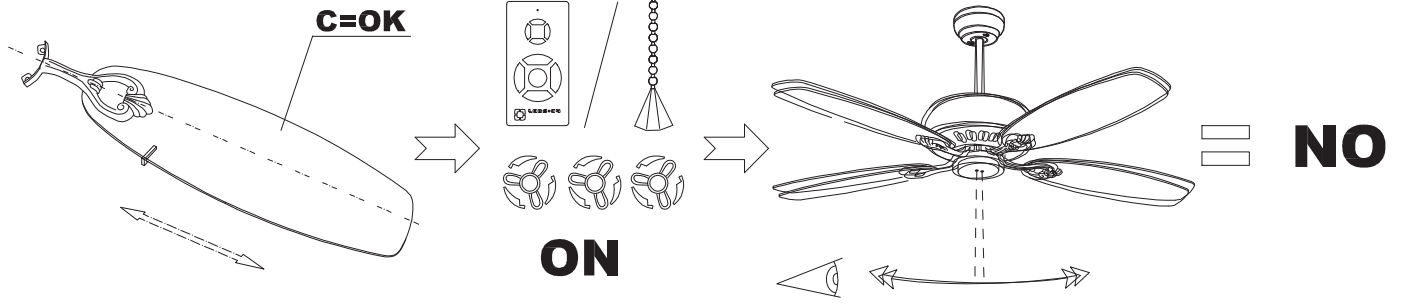


**NO**

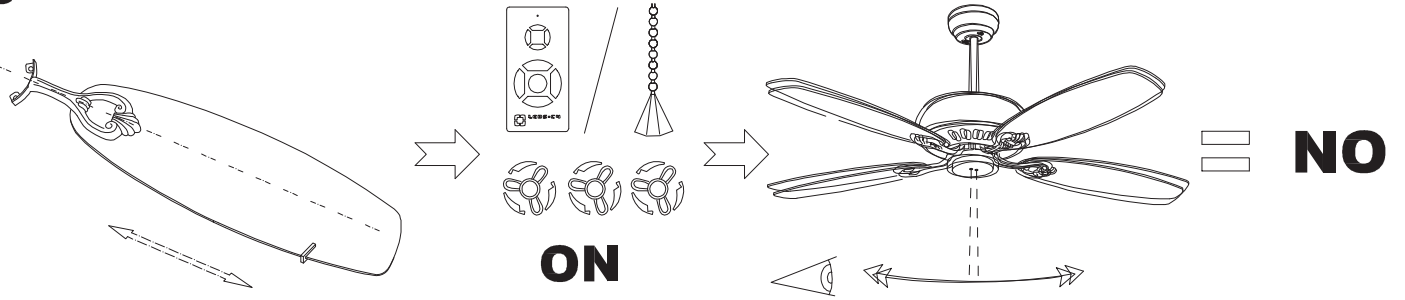




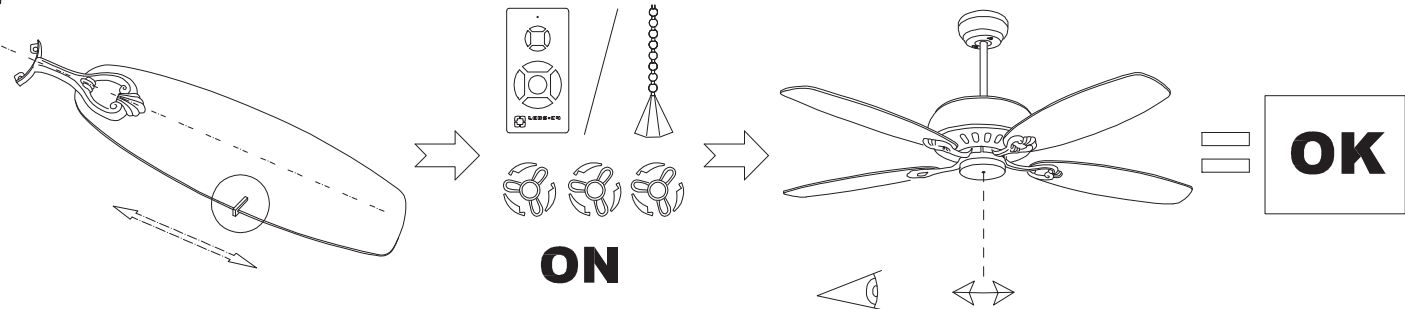
**5**



**6**



**7**



**8**

