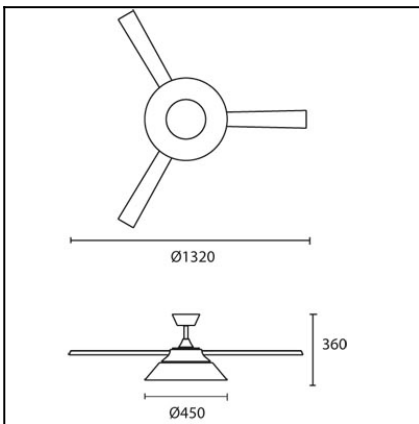




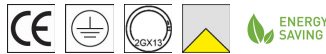
The photograph may not match the reference exactly. Please read the product description to identify the finish.



Download photometric file .ldt /.ies

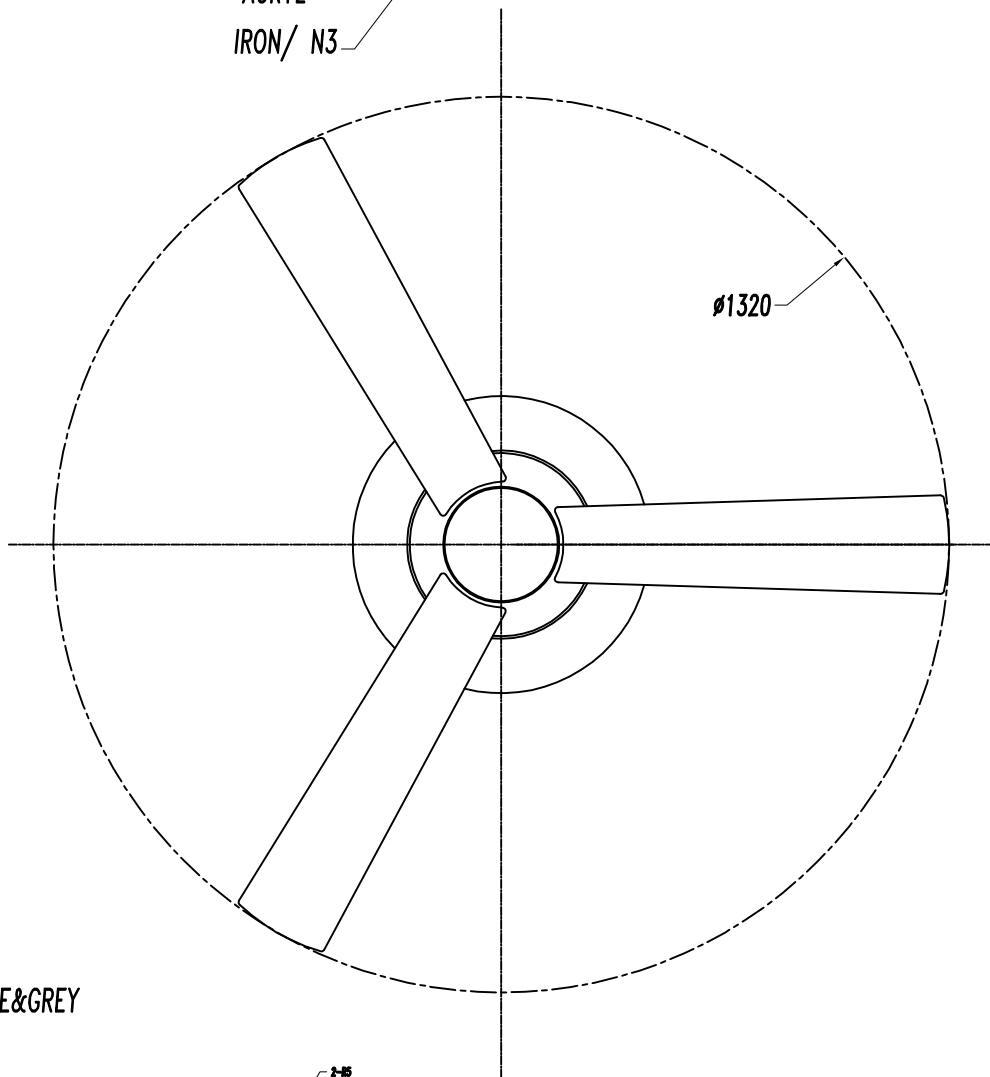
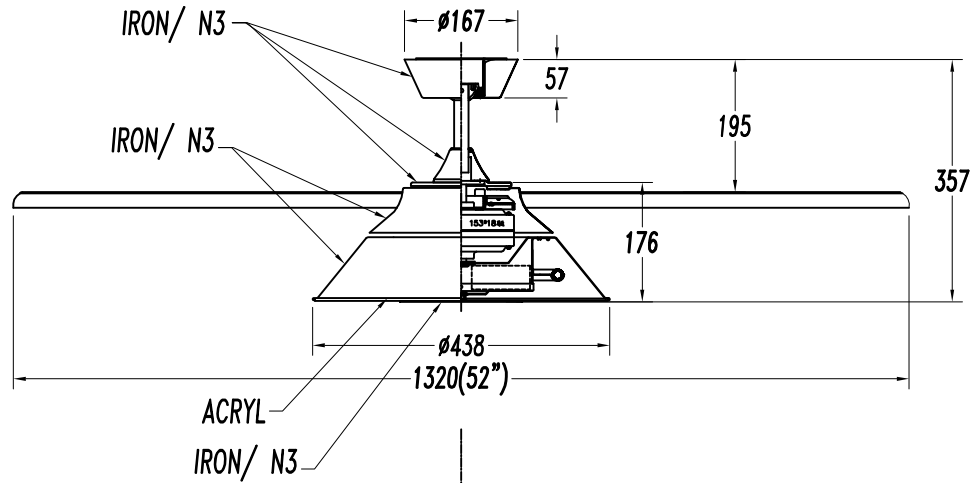
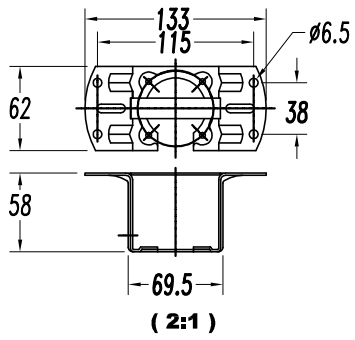
TECHNICAL CHARACTERISTICS

Type:	Fan
RPM:	100/150/200
IP Protection degrees:	IP20
Lampholder:	1 x 2GX13
Power (W):	2GX13 55W
Total power consumption (W):	111
Voltage / Frequency:	230V/50Hz
Warranty (Years):	2
Units per box:	1
Net Weight (Kg):	7.3
EAN:	8435111082799,00

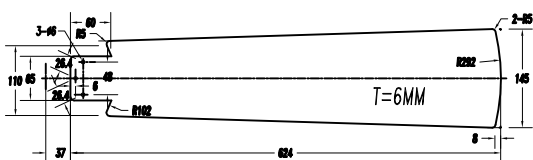


MATERIALS / FINISHES

Structure material:	Steel	Diffuser material:	Acrylic
Structure finish:	Textured grey	Diffuser finish:	White Opal
Blades material:	Plywood		
Blades finishes:	White Textured grey		



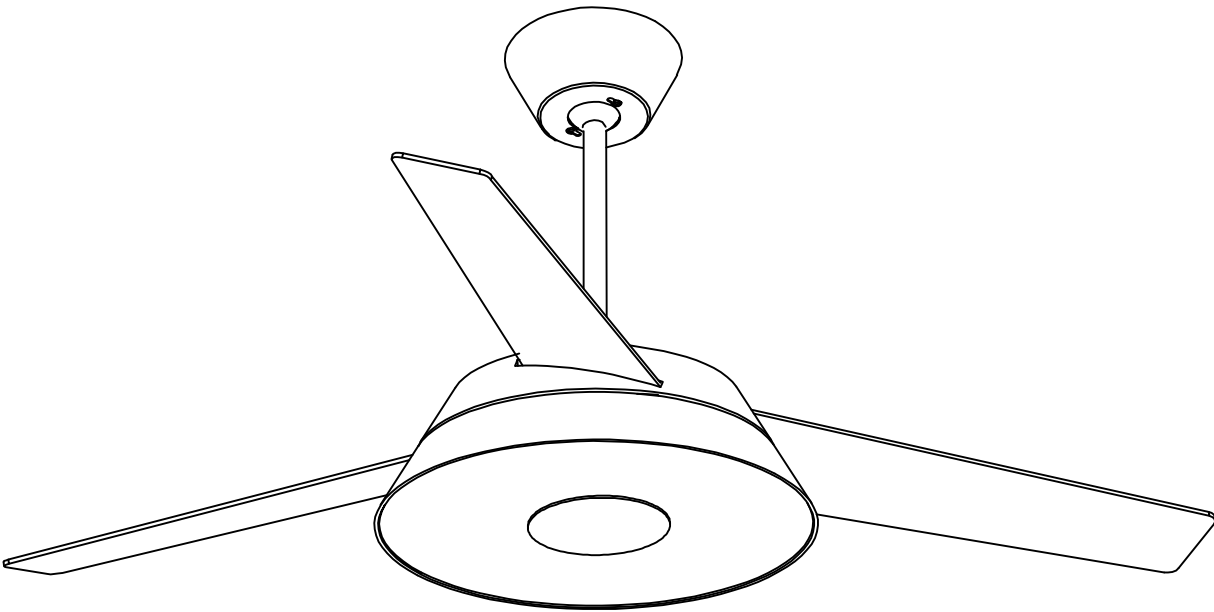
WOOD /WHITE&GREY





LEDS-C4

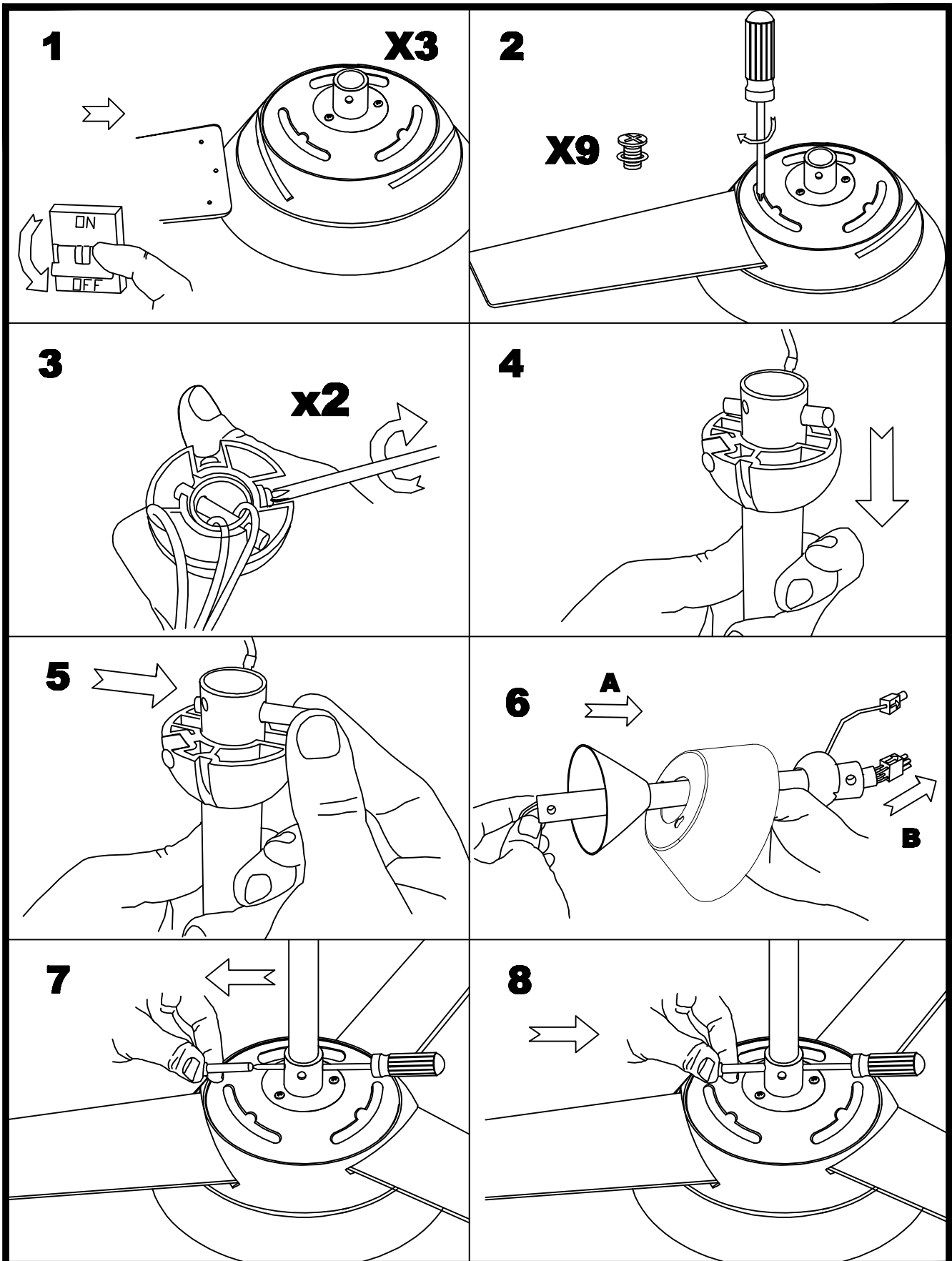
30-4392





LEDS-C4

1/7



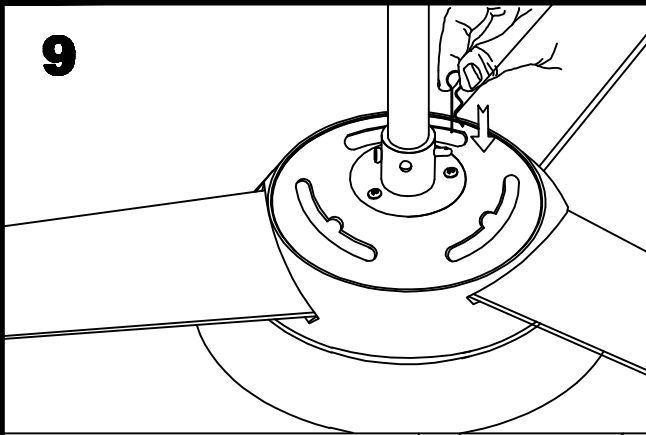
EDICIÓ: 00



LED S-C4

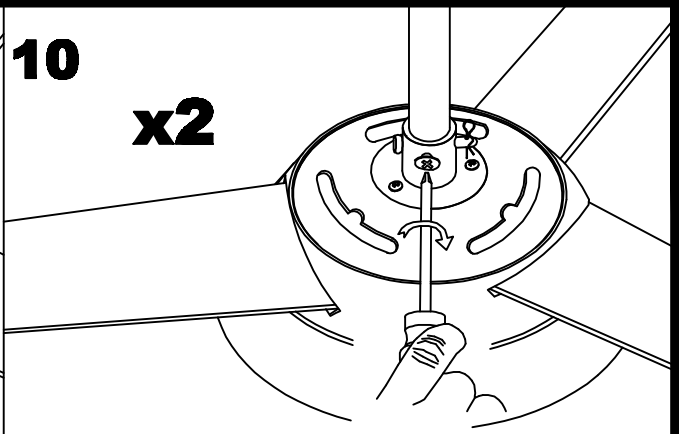
2 / 7

9

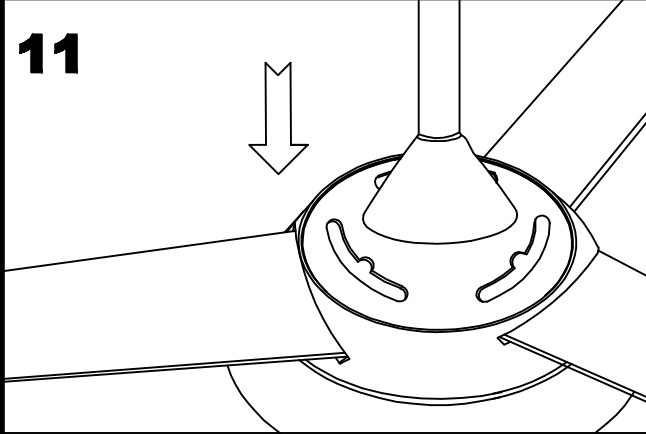


10

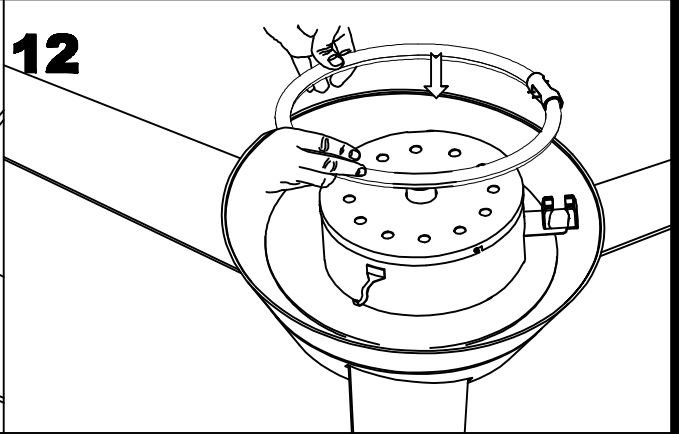
x2



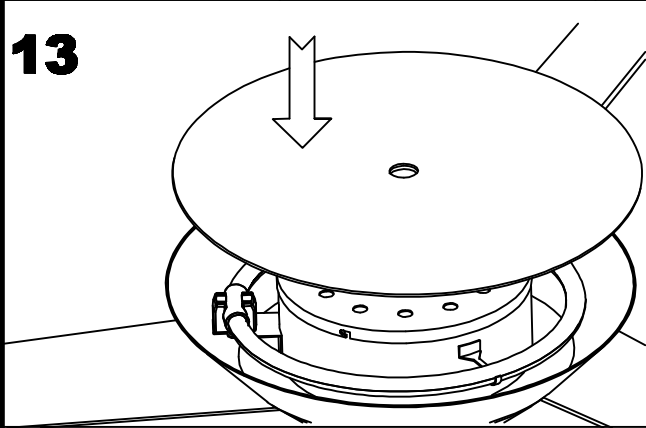
11



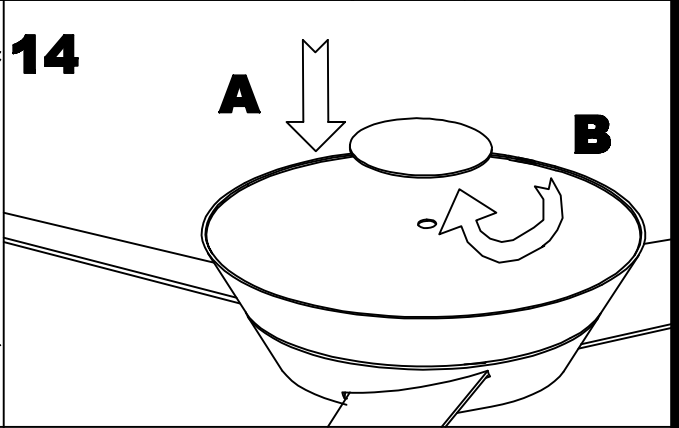
12



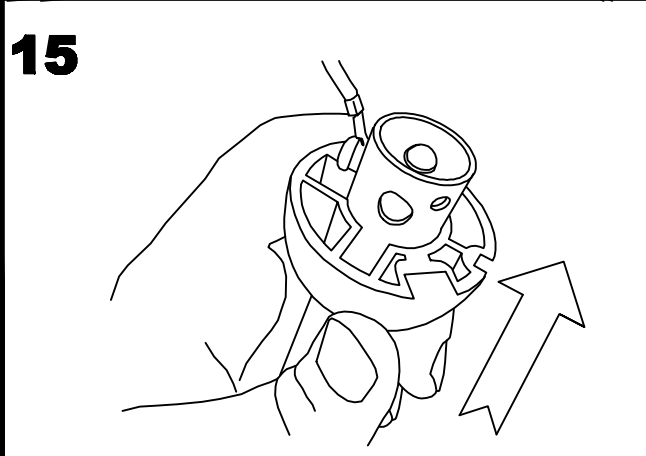
13



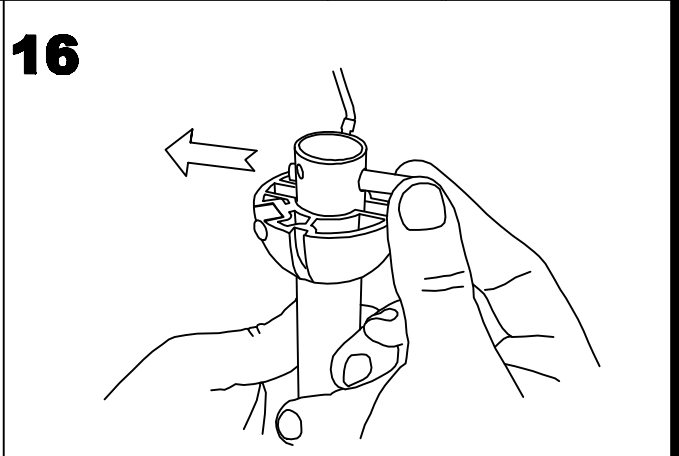
14



15



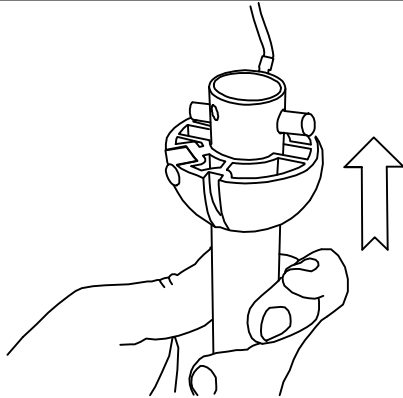
16



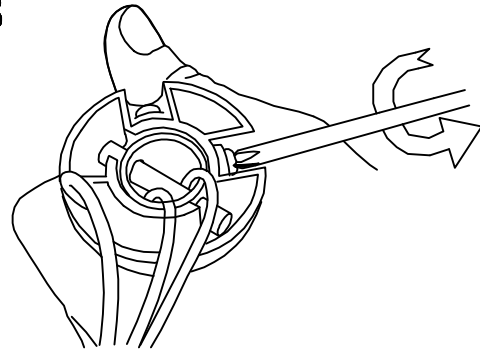
EDICIÓ: 00



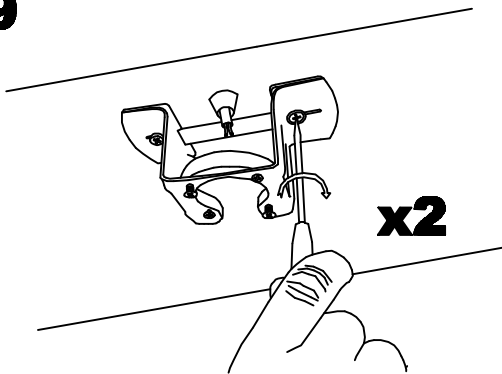
17



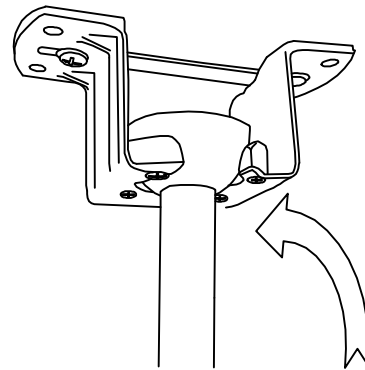
18



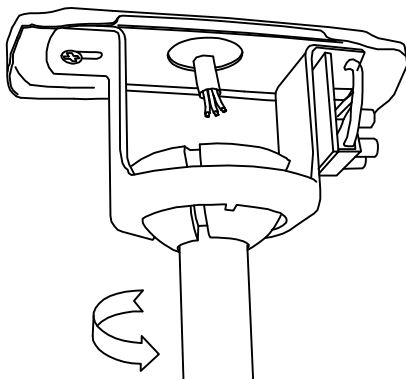
19



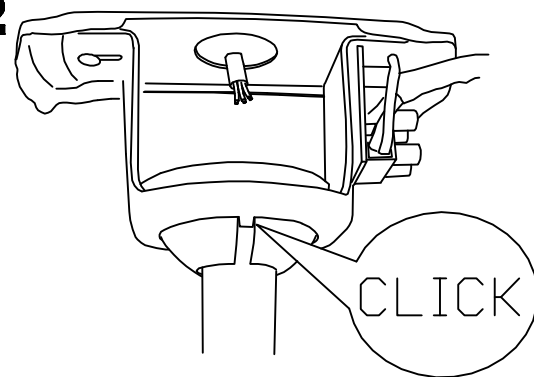
20



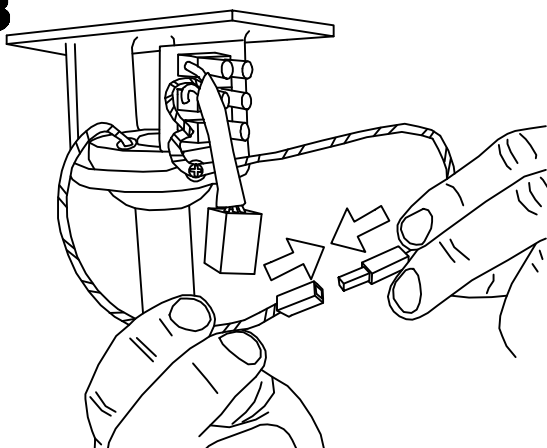
21



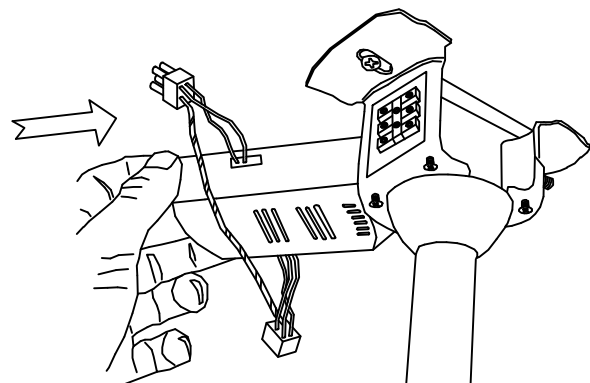
22



23



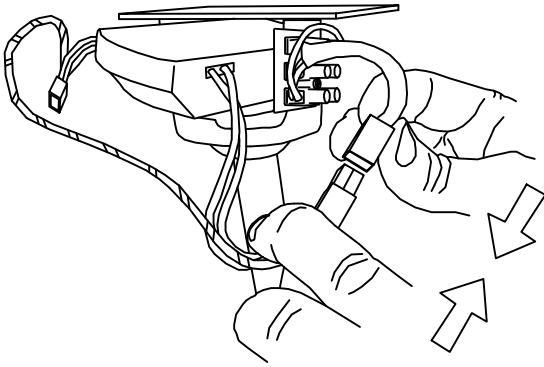
24



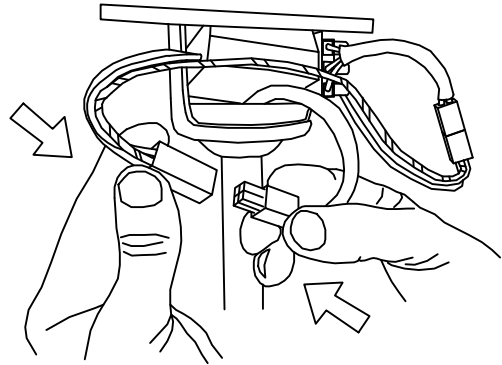


LEDS-C4

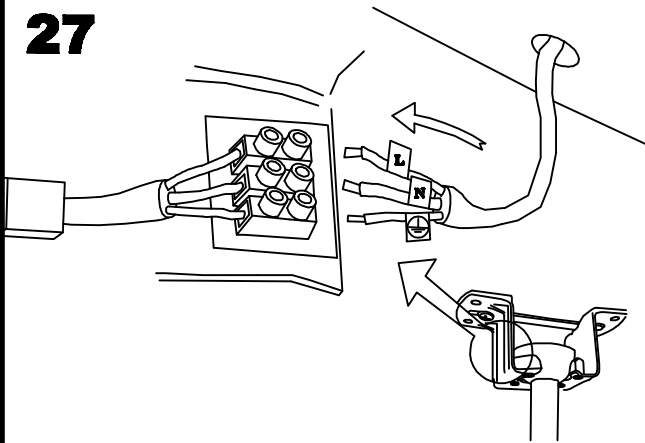
25



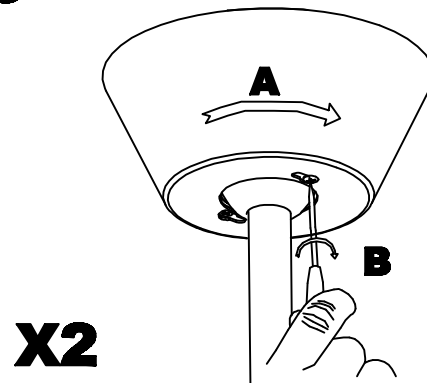
26



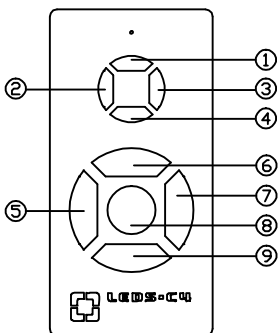
27



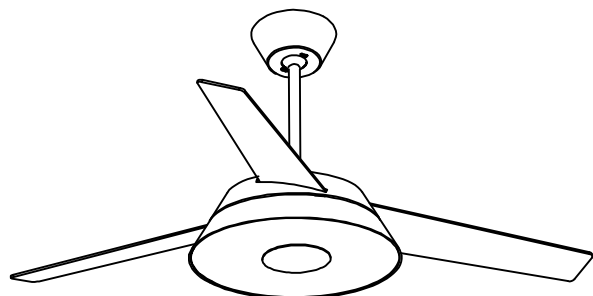
28



29



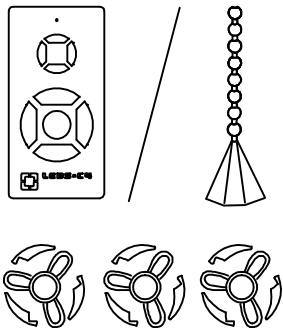
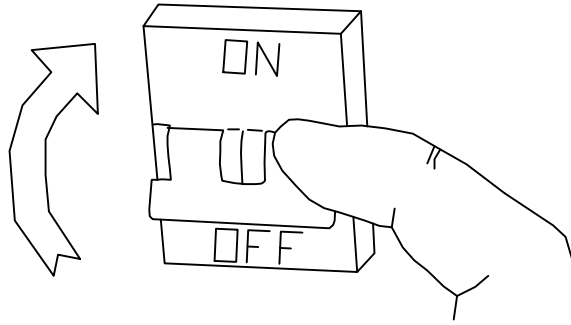
①	
②	
③	
④	
⑤	
⑥	
⑦	
⑧	STOP
⑨	



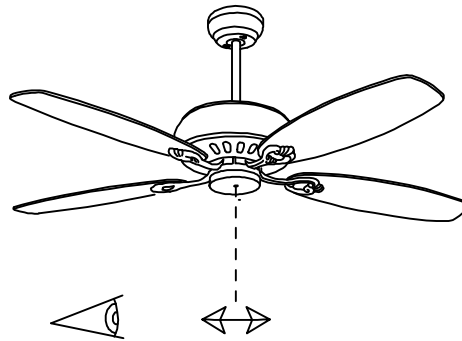


LED S-C4

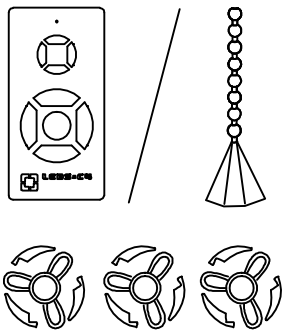
5/7



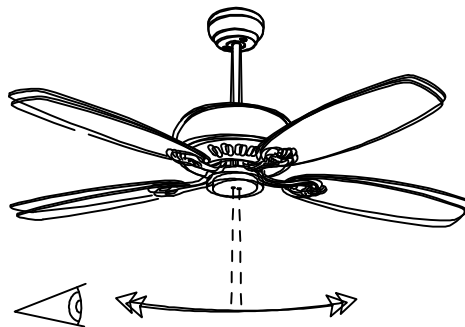
ON



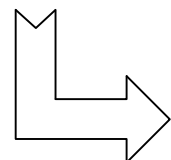
OK



ON



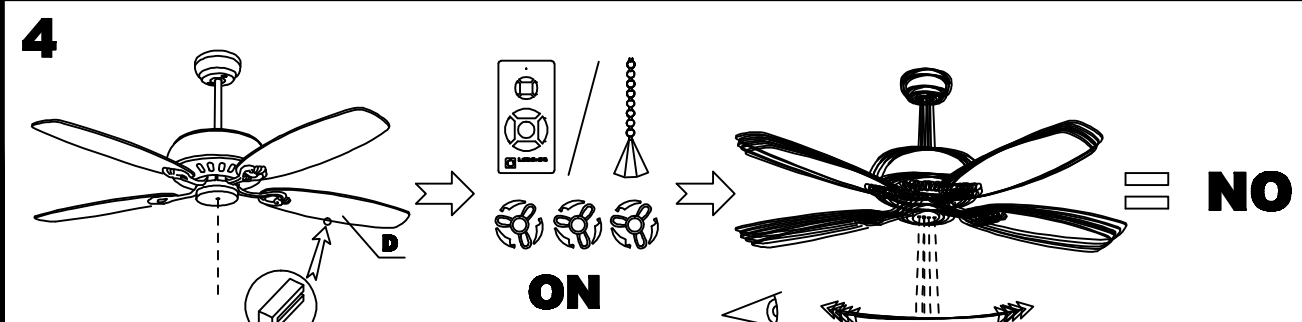
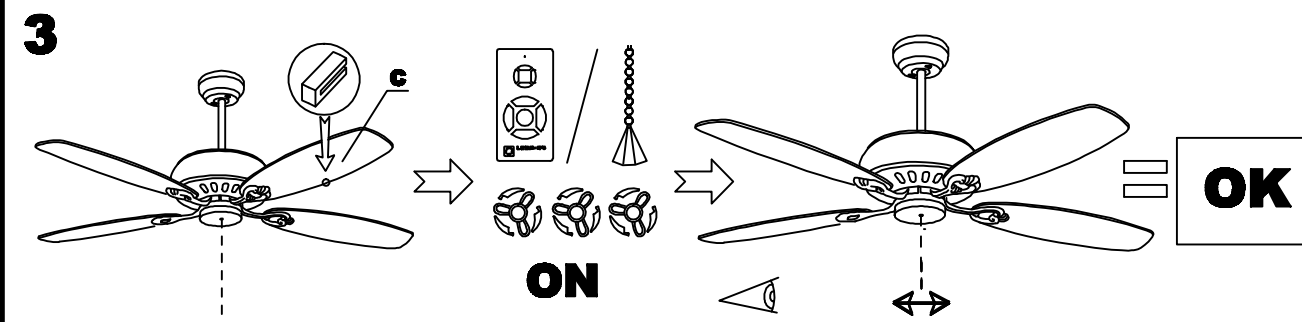
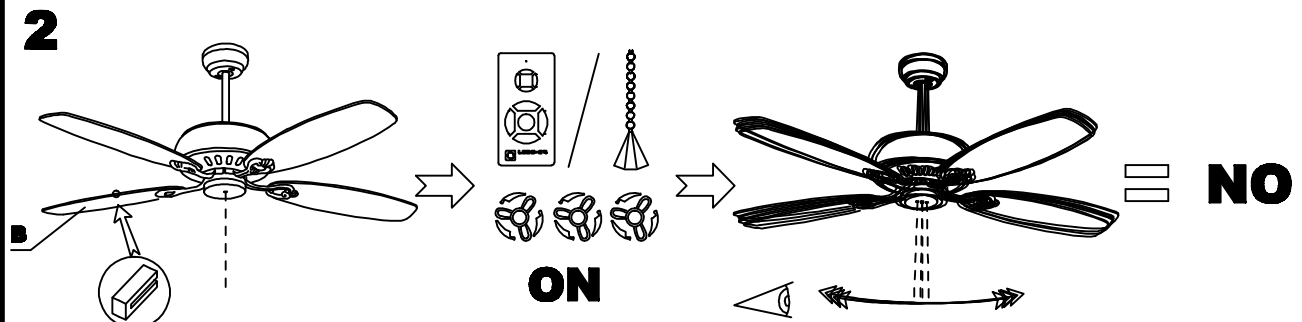
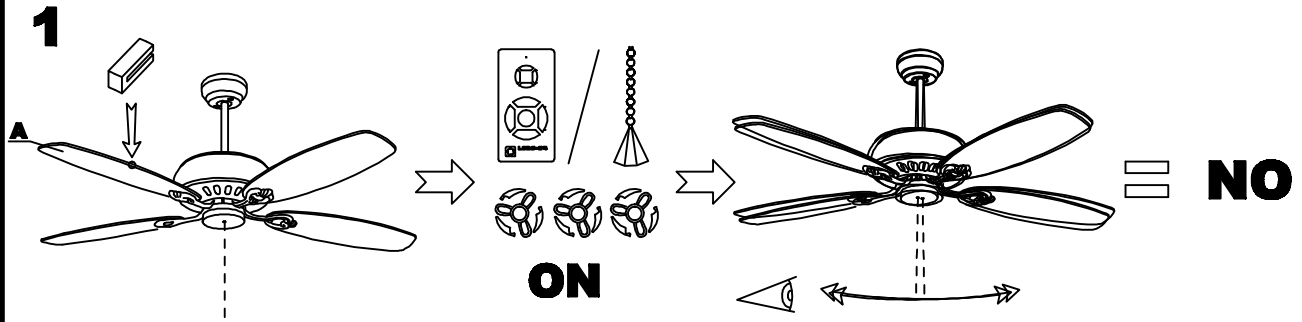
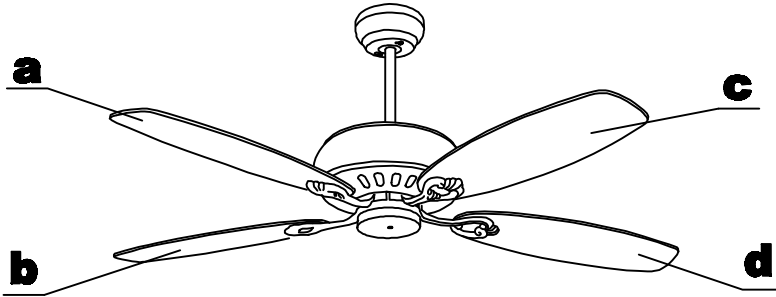
NO





LED S-C4

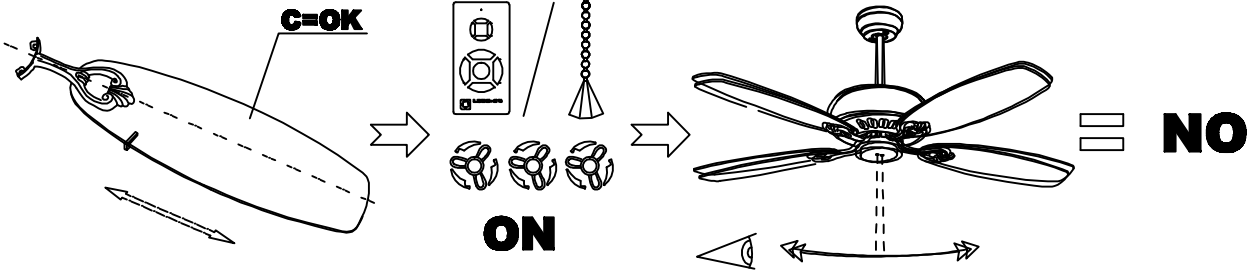
6/7



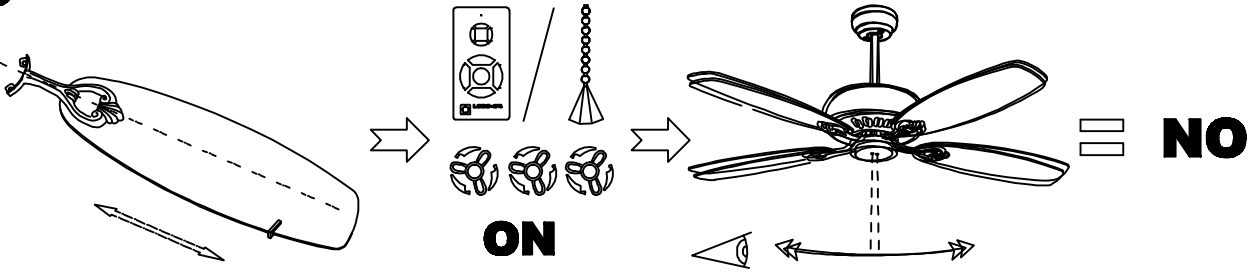


LED S-C4

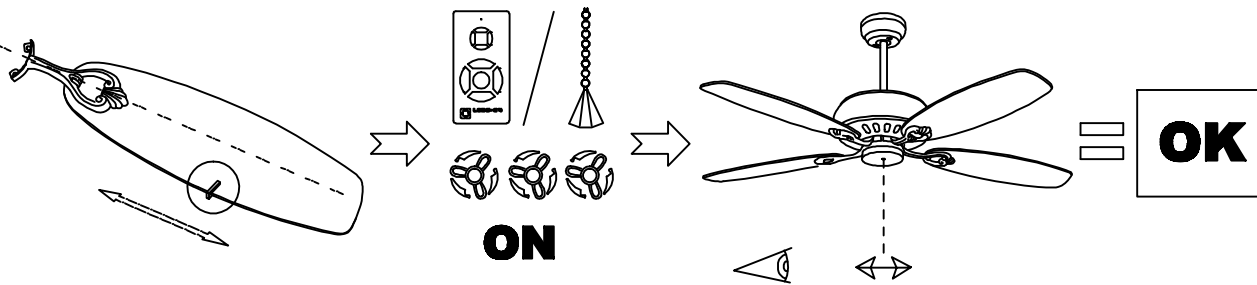
5



6



7



8

