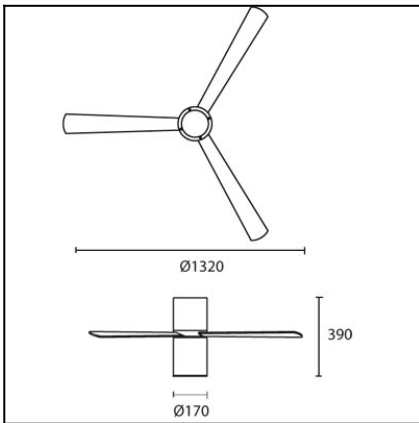


Design by Estudi Ribaudí



The photograph may not match the reference exactly. Please read the product description to identify the finish.



TECHNICAL CHARACTERISTICS

| | |
|------------------------------|------------------|
| Type: | Fan |
| RPM: | 100/150/200 |
| IP Protection degrees: | IP20 |
| Lampholder: | 1 x E27 |
| Power (W): | E27 23 |
| Total power consumption (W): | 89 |
| Voltage / Frequency: | 230V/50Hz |
| Warranty (Years): | 2 |
| Units per box: | 1 |
| Net Weight (Kg): | 6.8 |
| EAN: | 8435111089774,00 |



MATERIALS / FINISHES

Structure material: Steel

Structure finish: Matt white

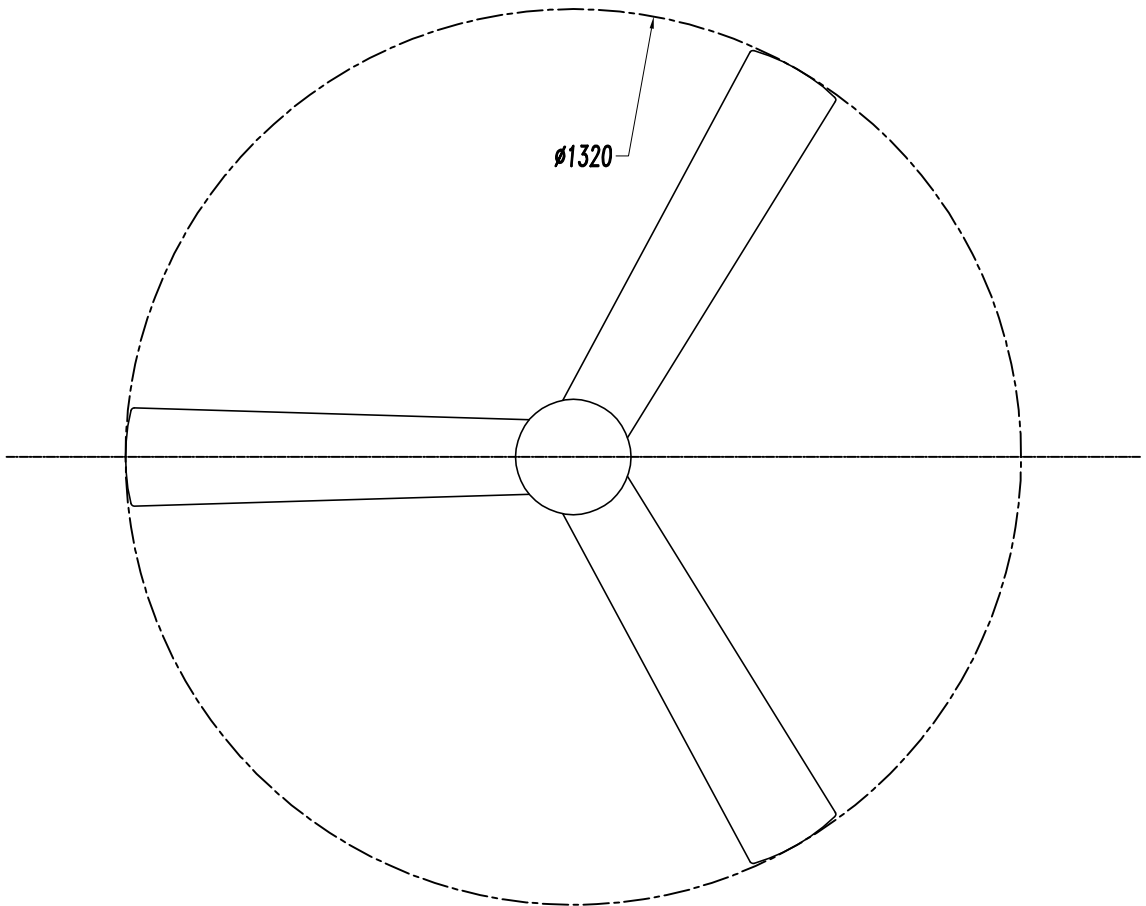
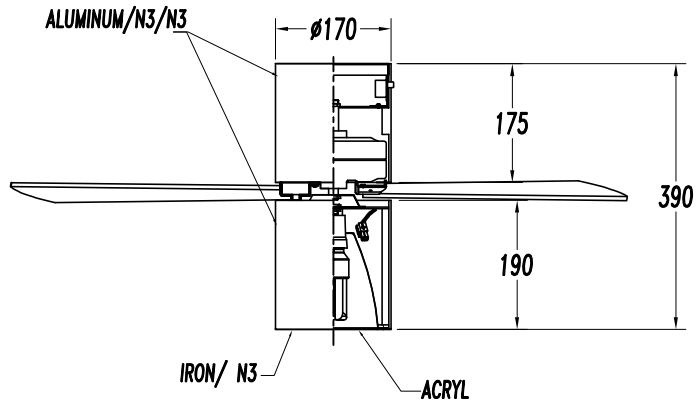
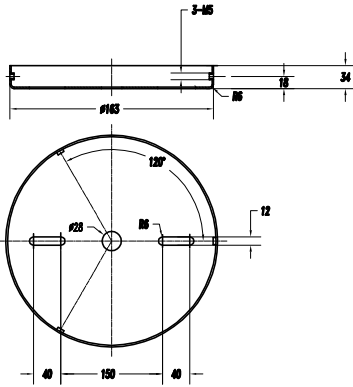
Blades material: Plywood

Blades finishes: White
Textured grey

Diffuser material: Acrylic

Diffuser finish: White
Opal

[Download photometric file .ldt / .ies](#)



WOOD / WHITE&GREY

