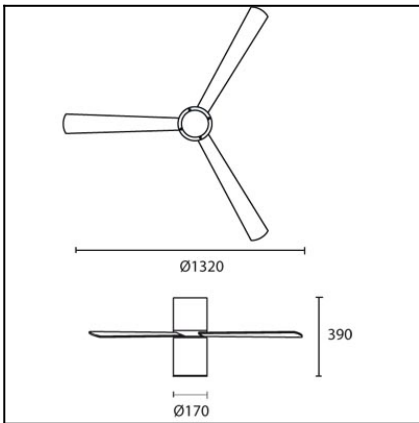


Design by Estudi Ribaudí



The photograph may not match the reference exactly. Please read the product description to identify the finish.



### TECHNICAL CHARACTERISTICS

Type:	Fan
RPM:	100/150/200
IP Protection degrees:	IP20
Lampholder:	1 x E27
Power (W):	E27 23
Voltage / Frequency:	230V/50Hz
Warranty (Years):	2
Units per box:	1
Net Weight (Kg):	6.8
EAN:	8435381401740



### MATERIALS / FINISHES

<b>Structure material:</b>	Aluminium	<b>Diffuser material:</b>	Acrylic
<b>Structure finish:</b>	Shiny white	<b>Diffuser finish:</b>	White Opal
<b>Blades material:</b>	Plywood		
<b>Blades finishes:</b>	White Textured grey		

[Download photometric file .ldt / .ies](#)

71-4393-CF-CF

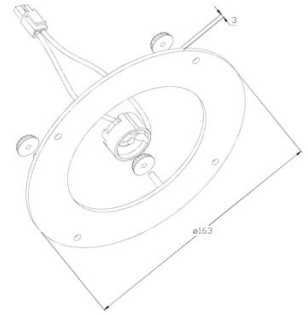


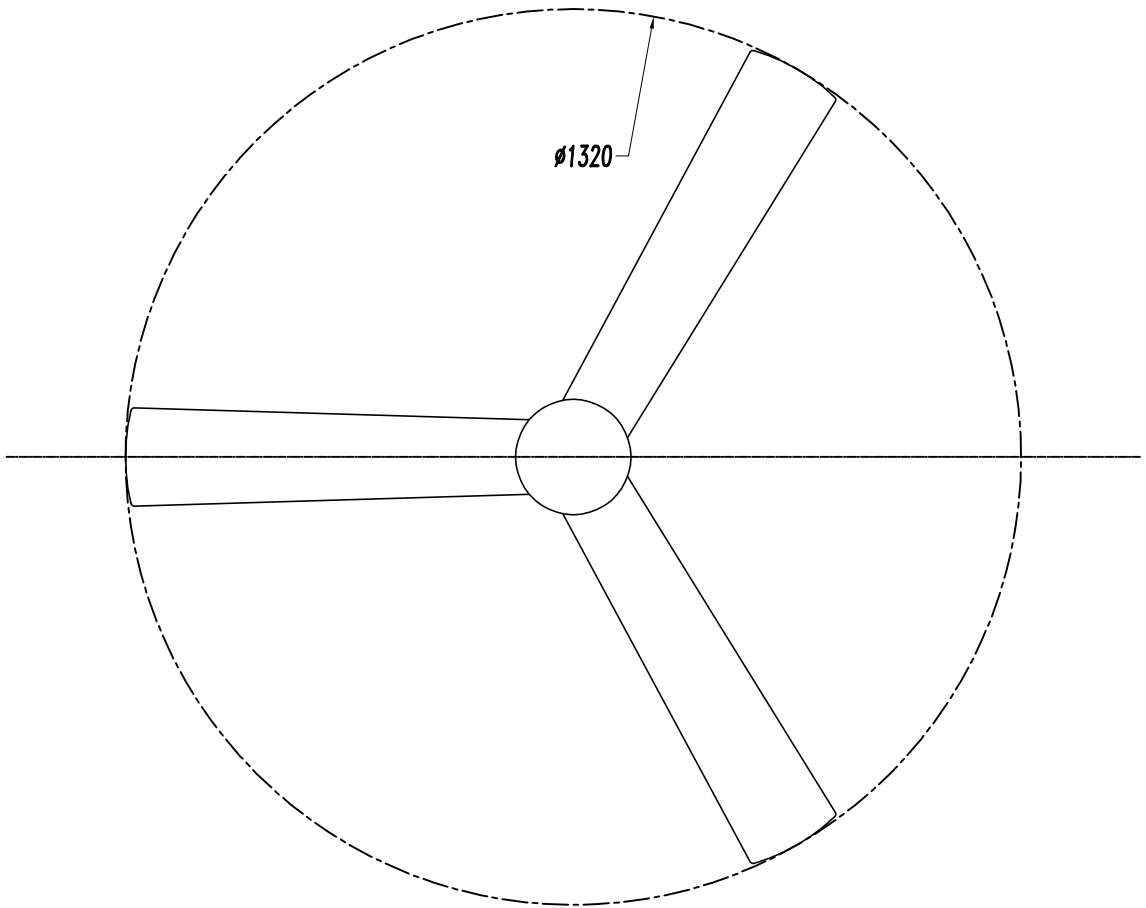
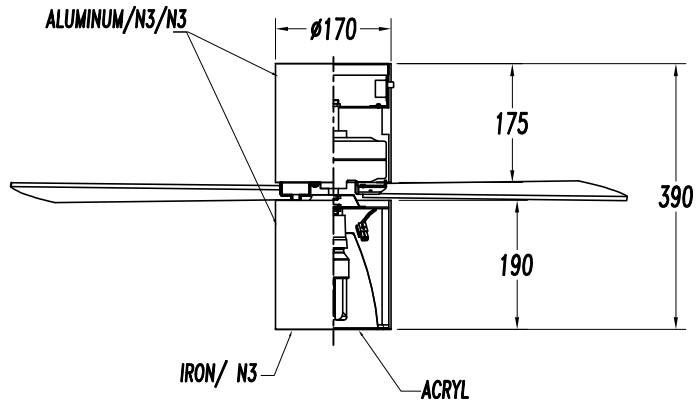
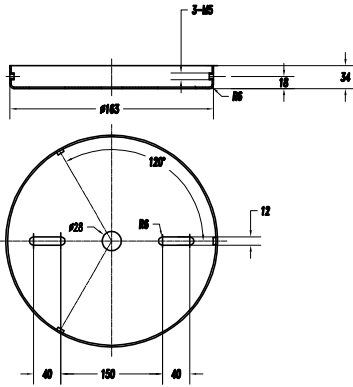
**Structure material:**

Steel

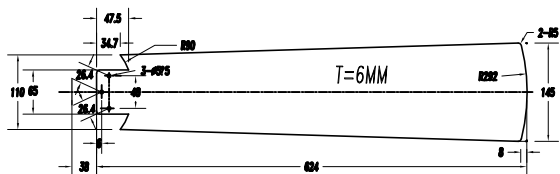
**Structure finish:**

Shiny white





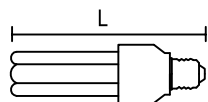
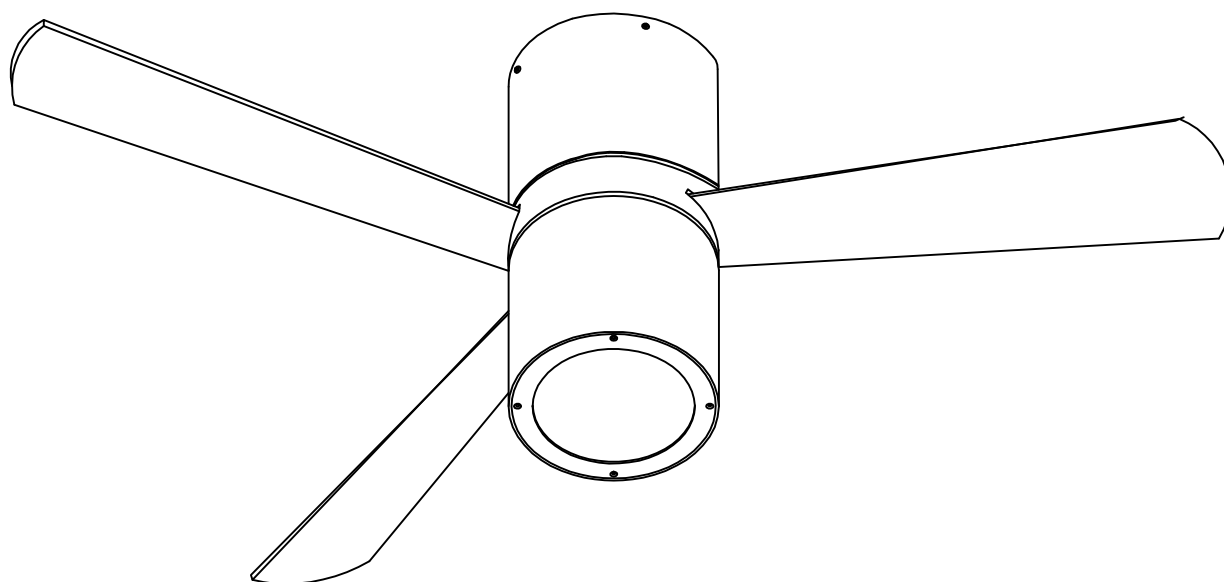
WOOD / WHITE&GREY





LED S-C4

# 30-4393



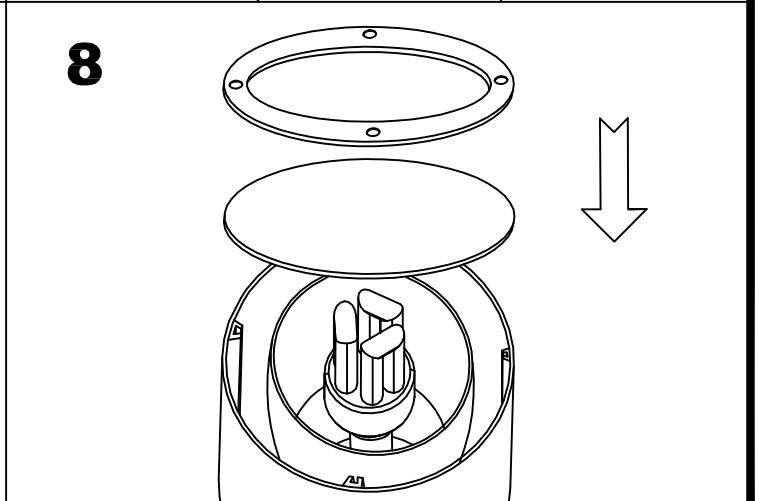
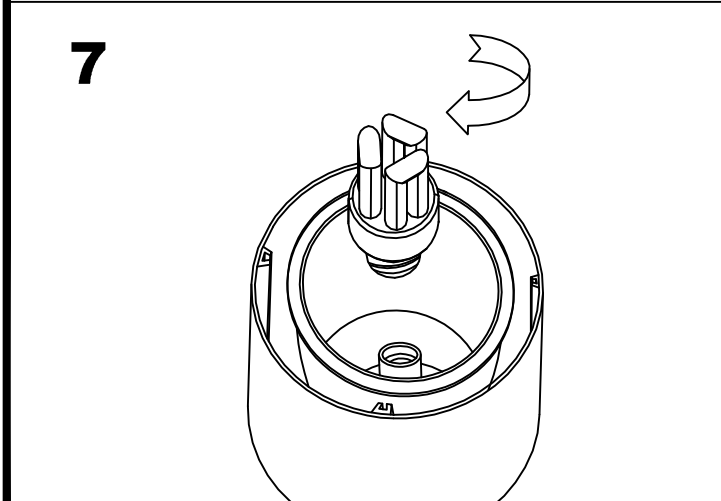
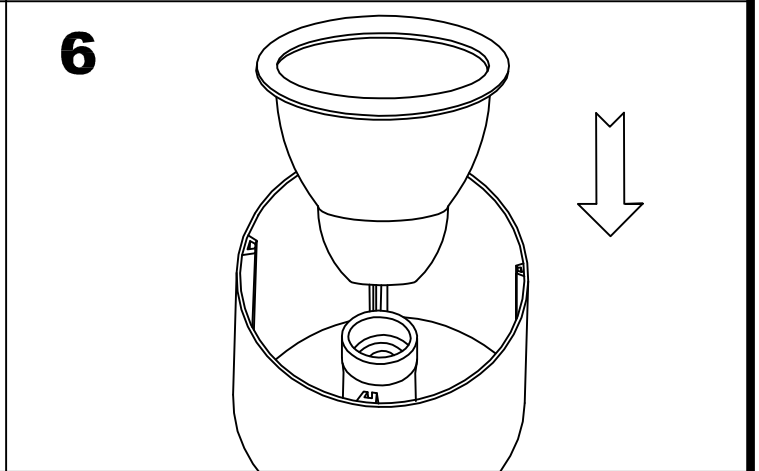
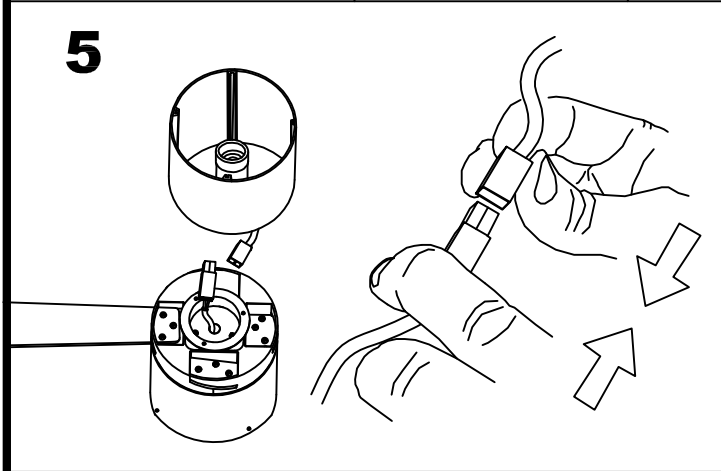
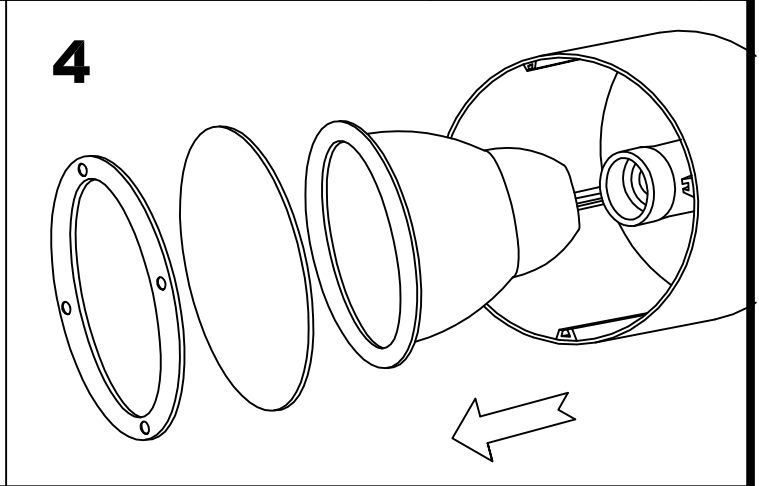
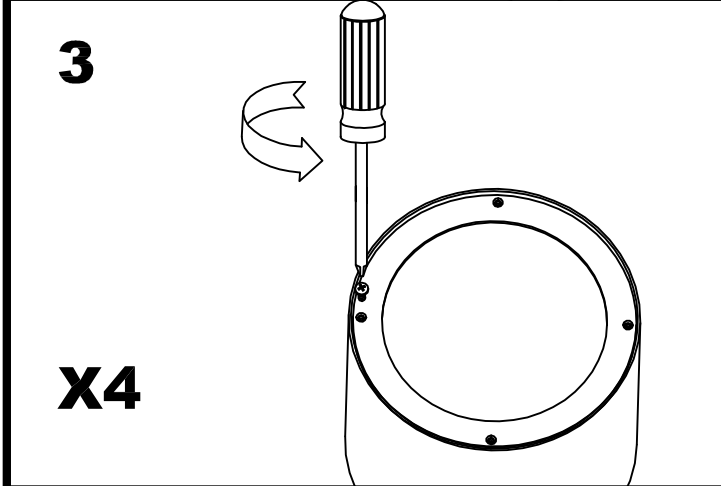
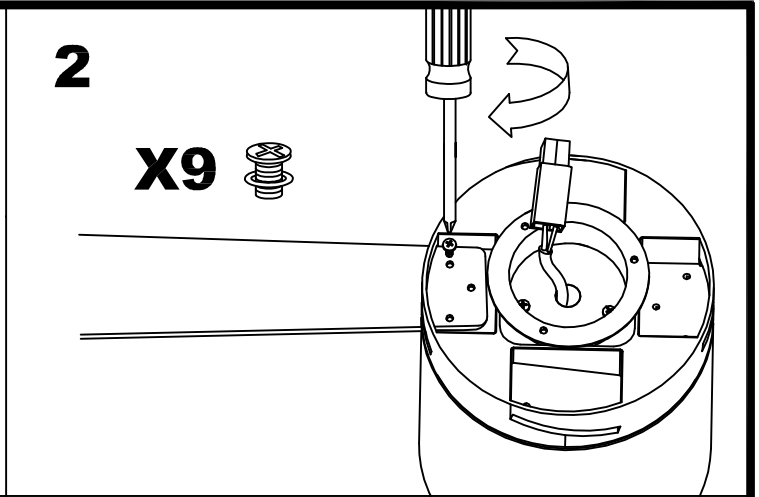
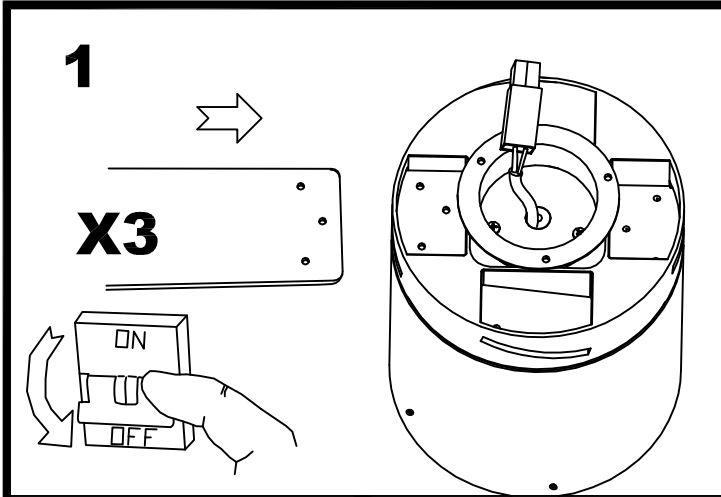
L max: 135mm / W max: 23W

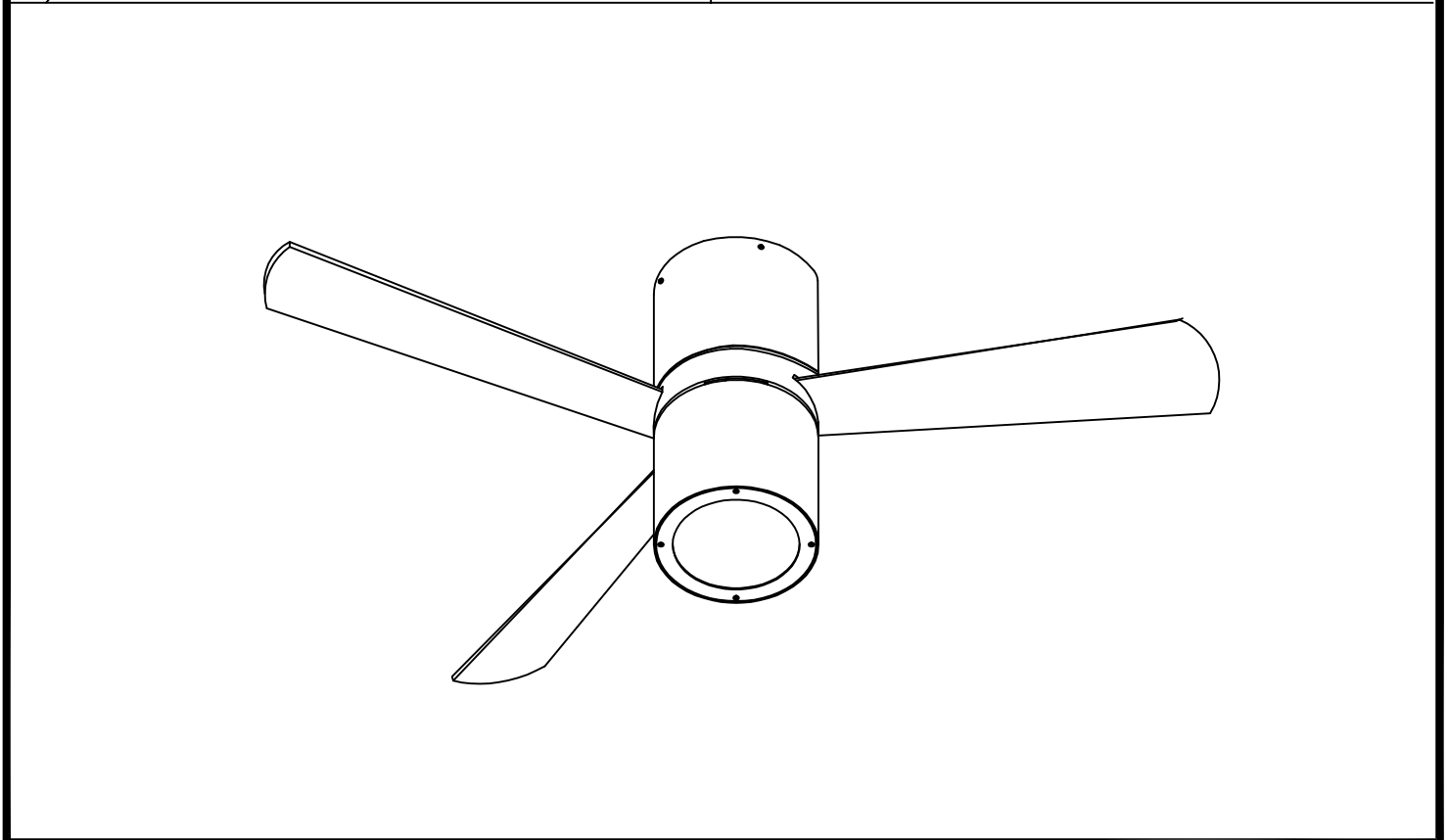
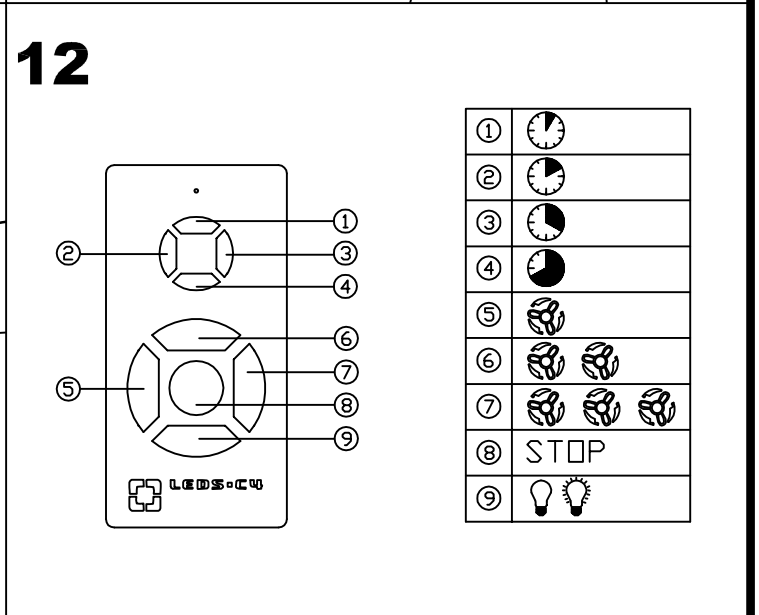
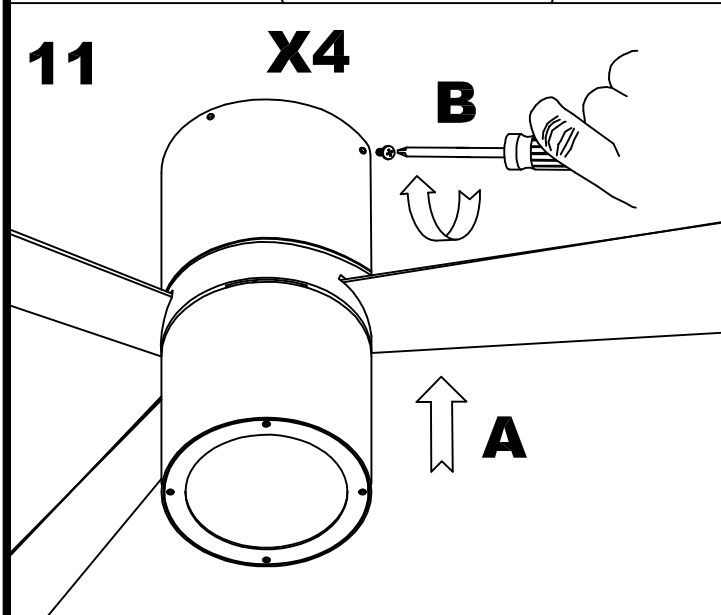
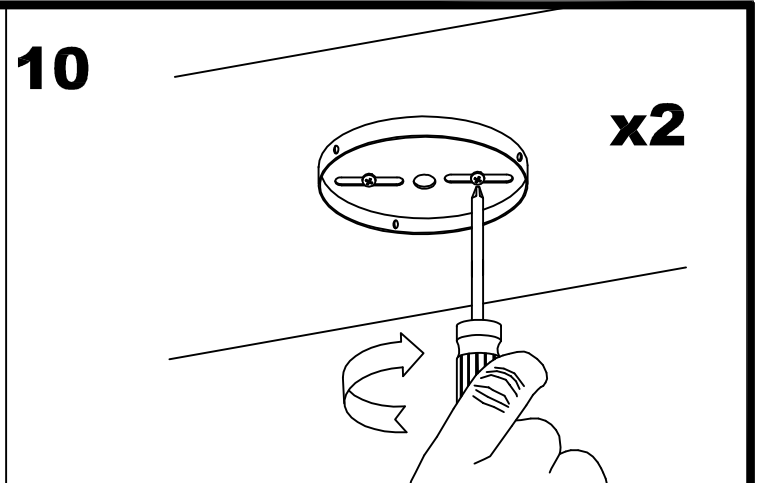
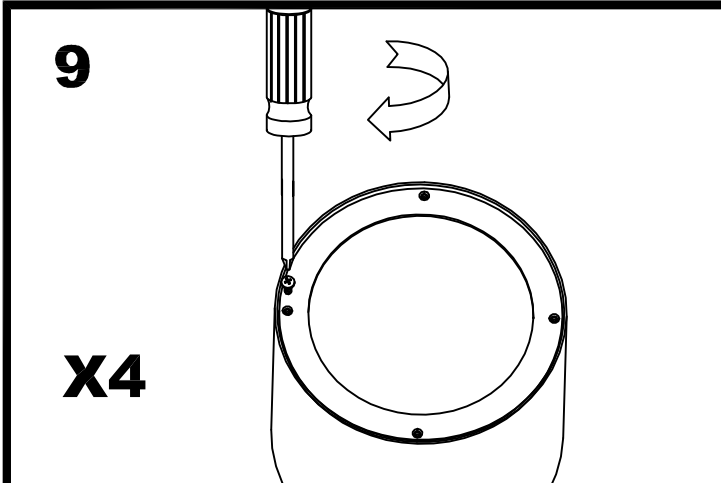


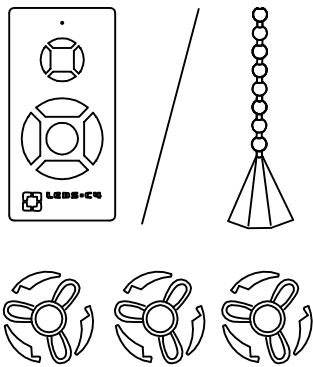
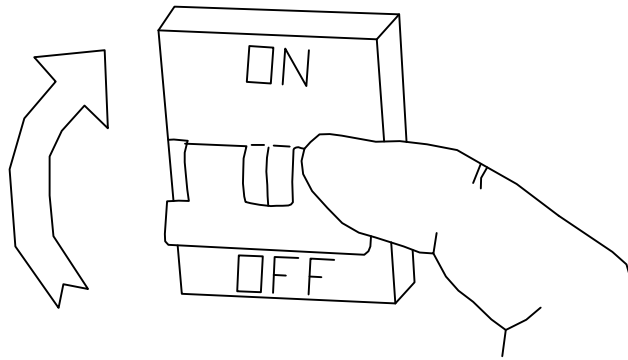
Recommend TWIST OSRAM 23w



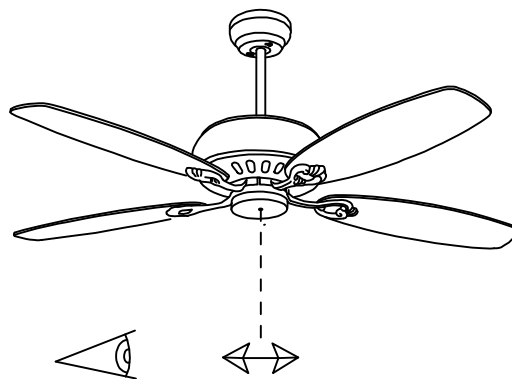
LED S-C4



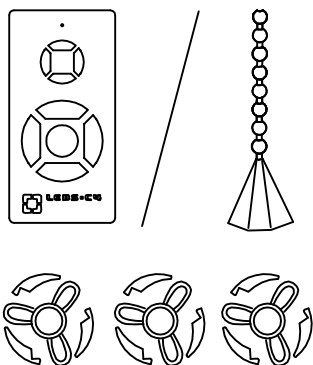




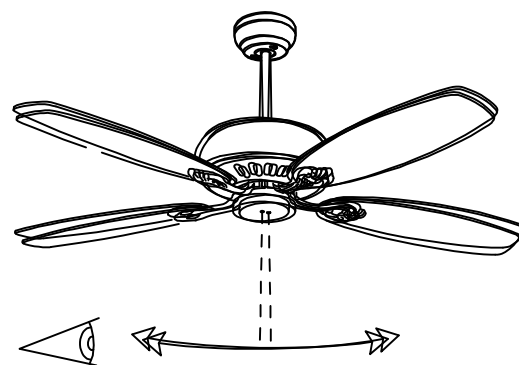
**ON**



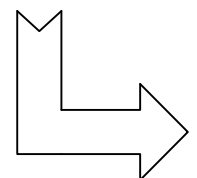
**OK**

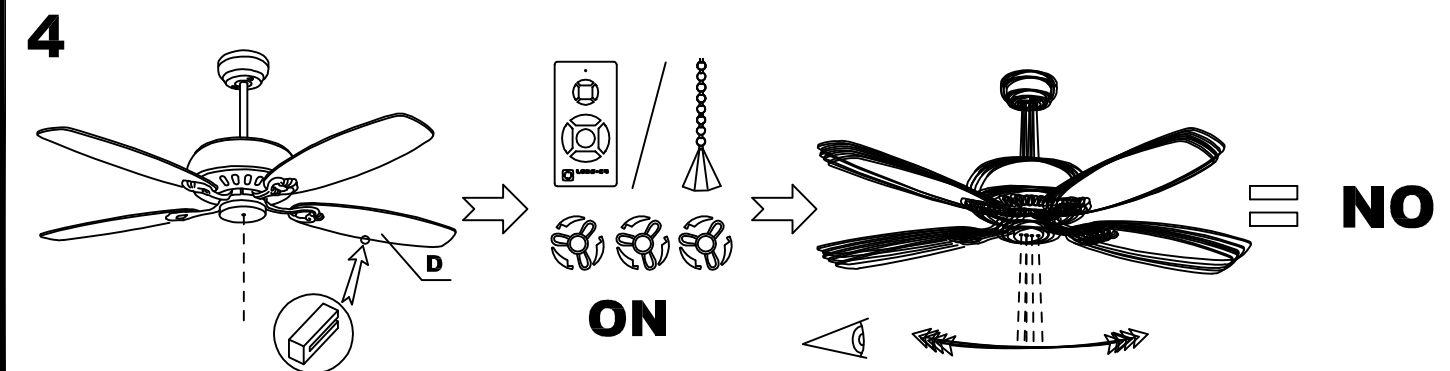
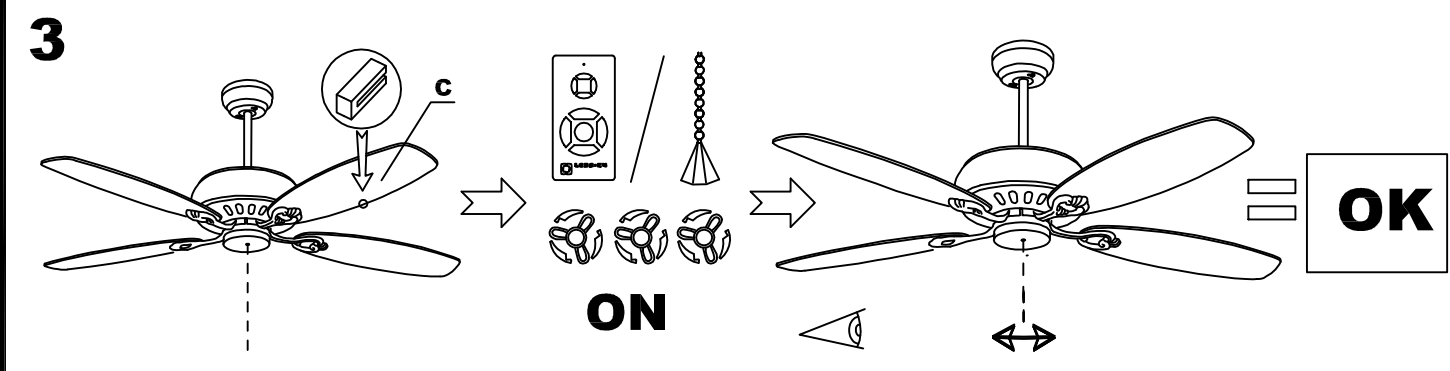
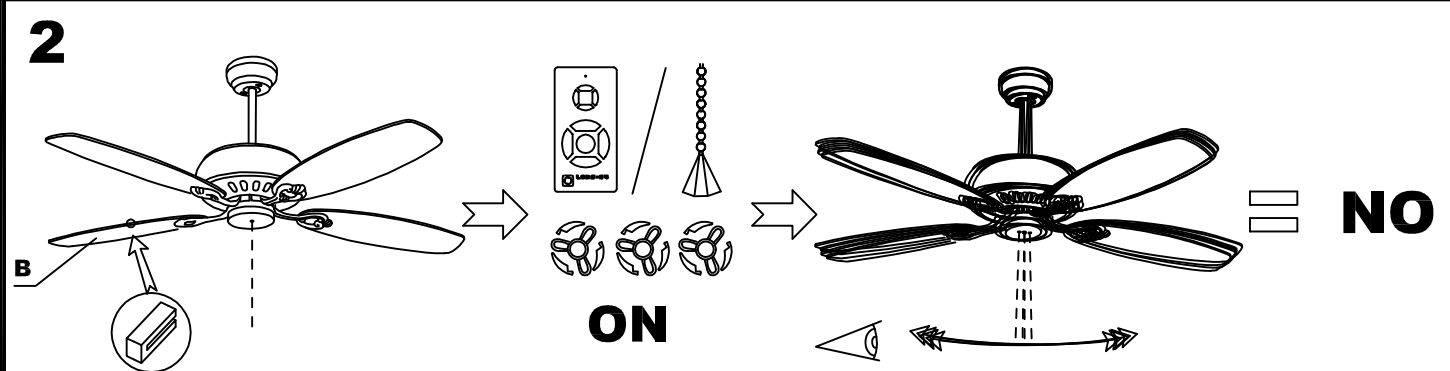
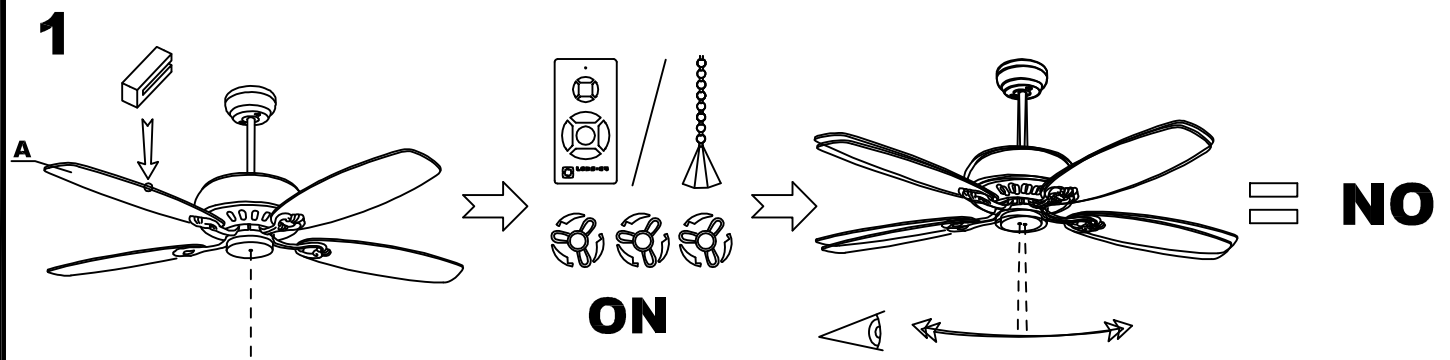
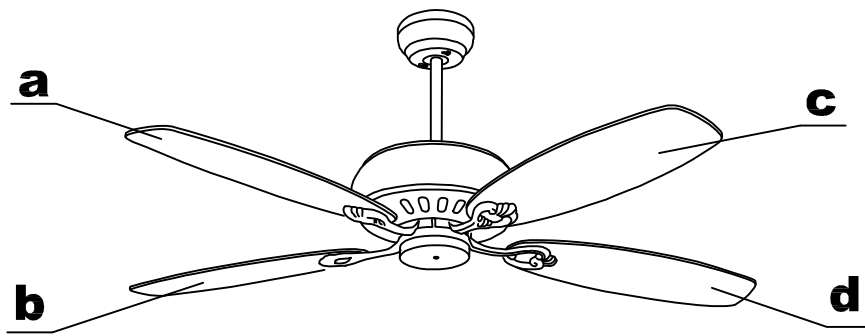


**ON**



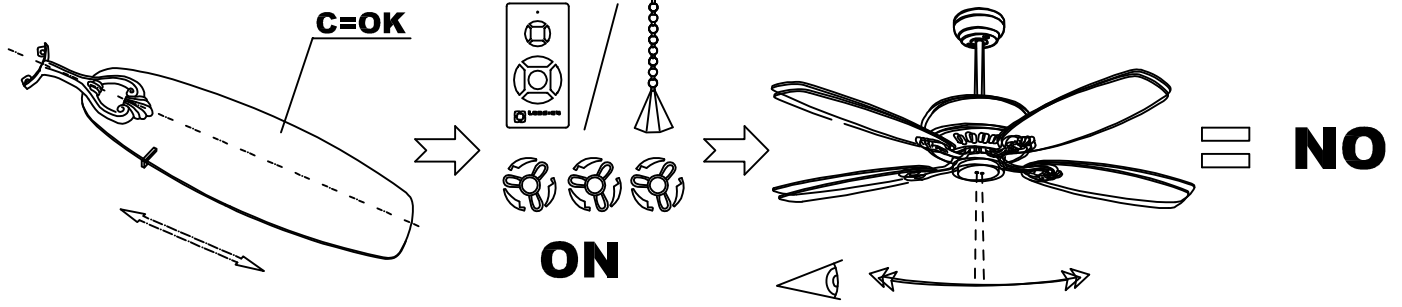
**NO**



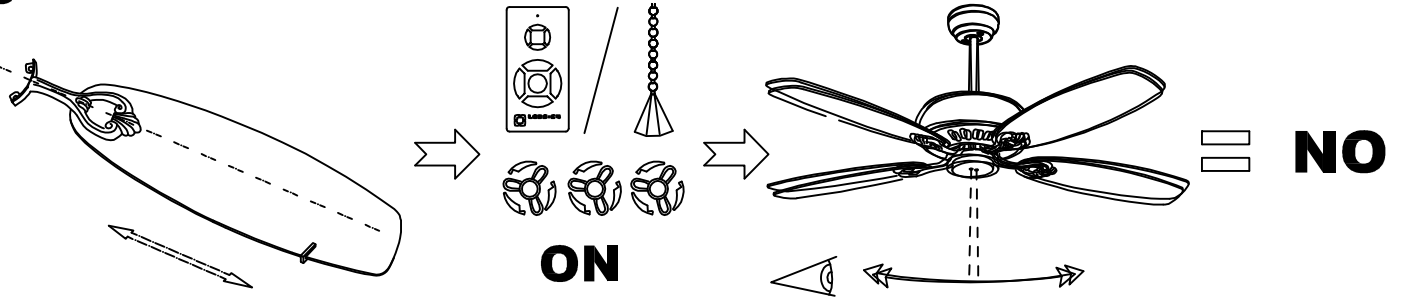




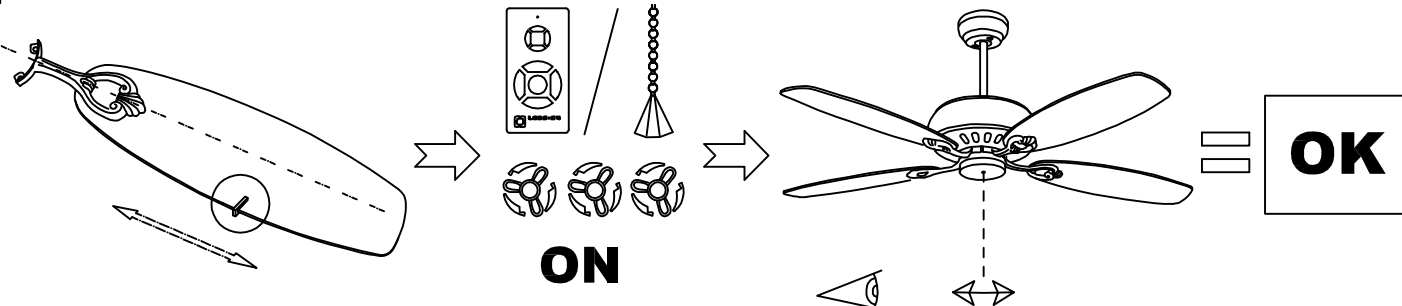
**5**



**6**



**7**



**8**

