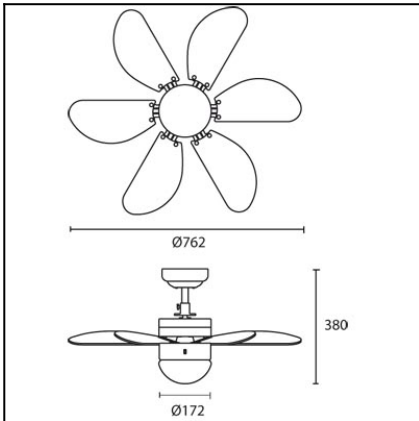




The photograph may not match the reference exactly. Please read the product description to identify the finish.



Download photometric file .ldt / .ies

TECHNICAL CHARACTERISTICS

Type:	Fan
RPM:	100/145/200
IP Protection degrees:	IP20
Lampholder:	1 x G9
Power (W):	G9 60 W
Voltage / Frequency:	230V/50Hz
Warranty (Years):	2
Units per box:	1
Net Weight (Kg):	4.62
EAN:	8435111082683,00
CFM:	3500.00



MATERIALS / FINISHES

Structure material: Steel

Structure finish: Satin nickel

Blades material: Plywood

Blades finishes: Beech
Wenge-painted finish

Diffuser material: Glass

Diffuser finish: Matt opal

71-4399-14-14



IP20

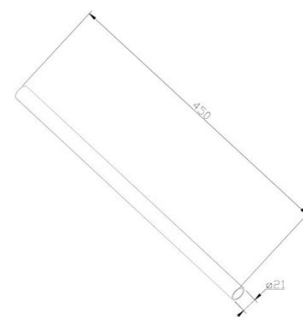
71-1844-81-81

**Structure material:**

Steel

Structure finish:

Satin nickel



71-1843-81-81

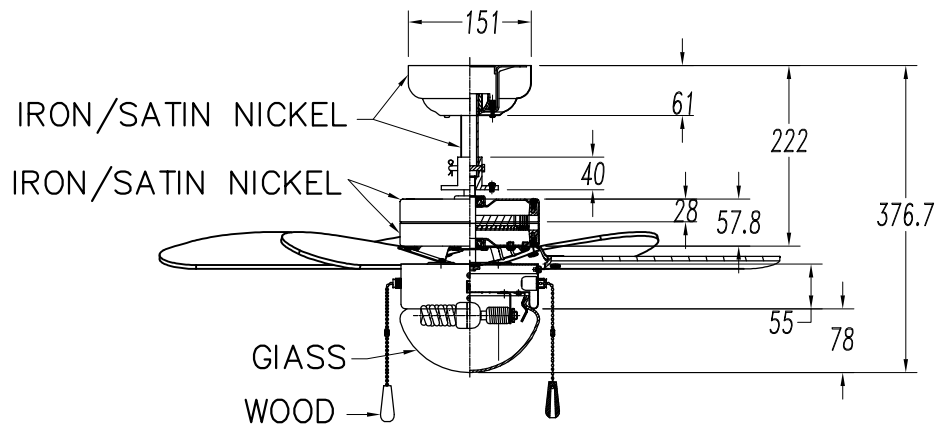
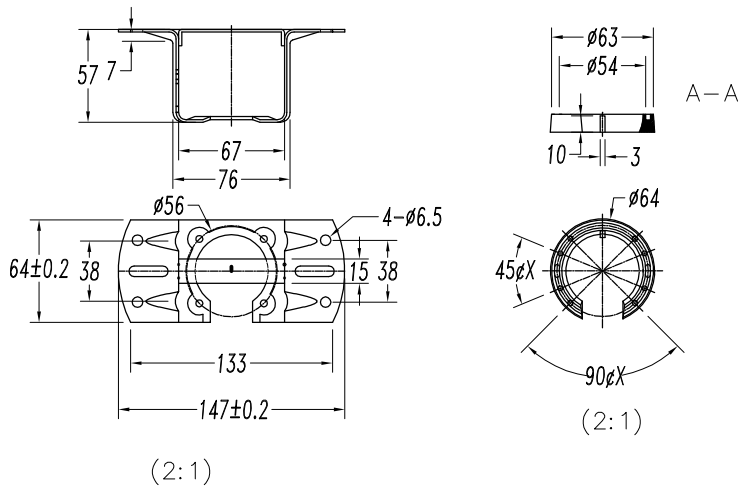
**Structure material:**

Steel

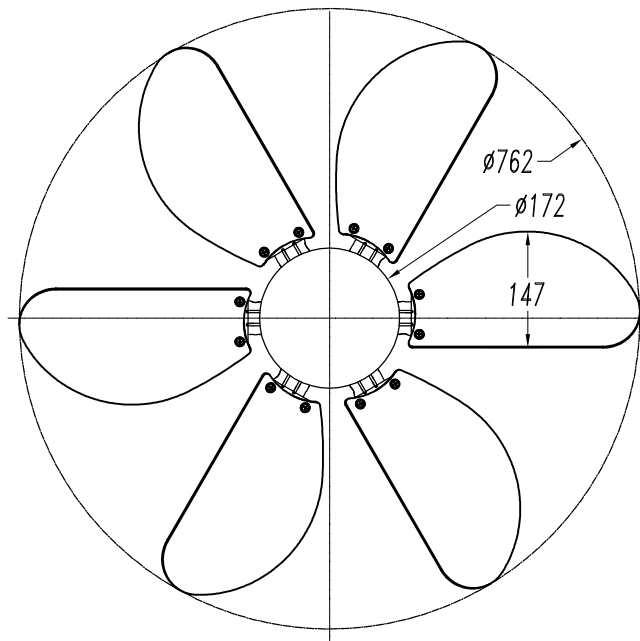
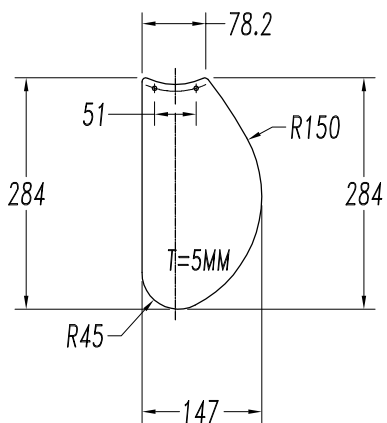
Structure finish:

Satin nickel





WOOD/WHITE&MULTICOLOR
WOOD/OIL RUBBED BRONZE&LIGHT MAPLE

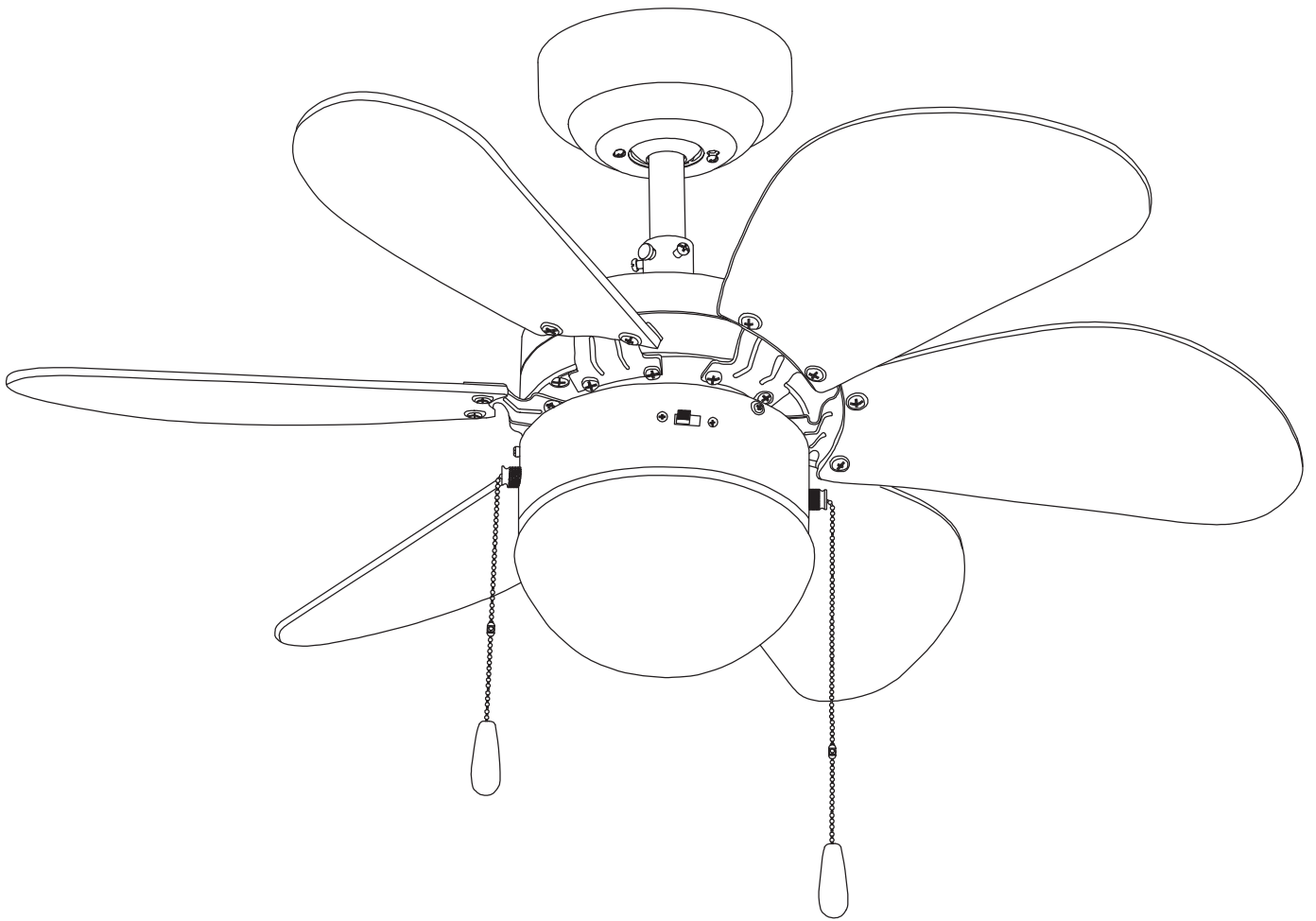


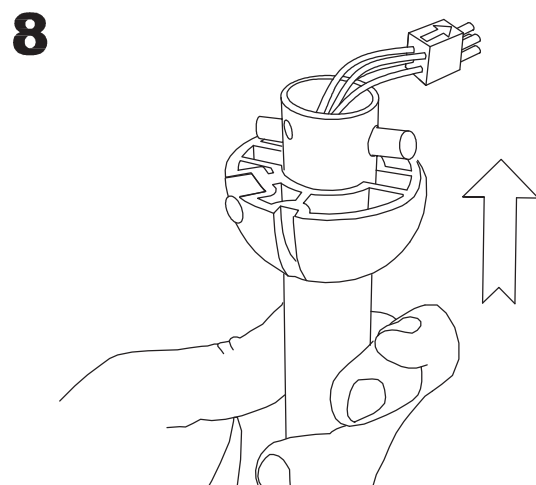
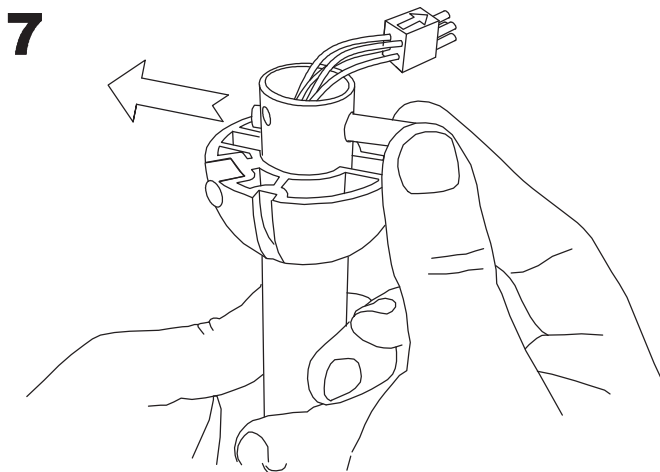
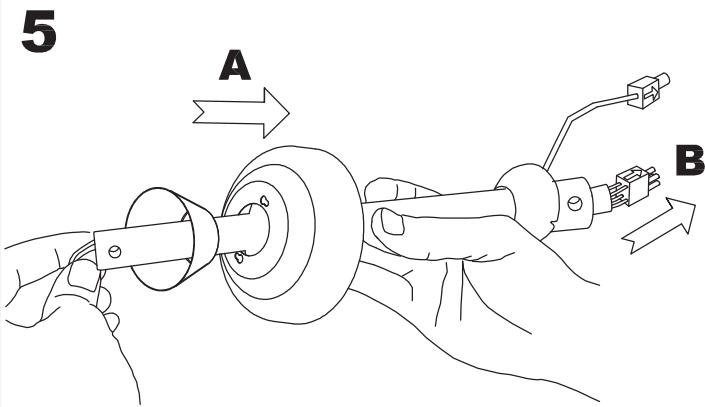
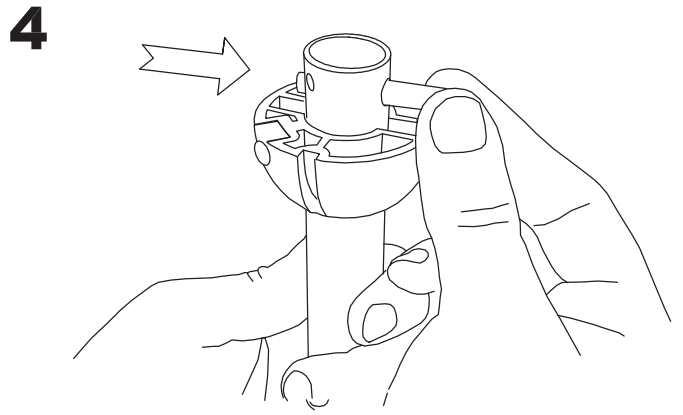
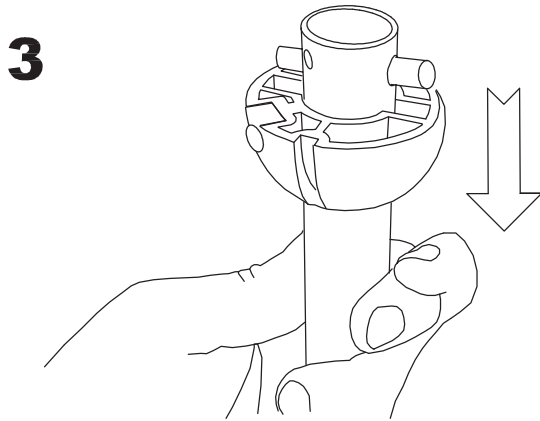
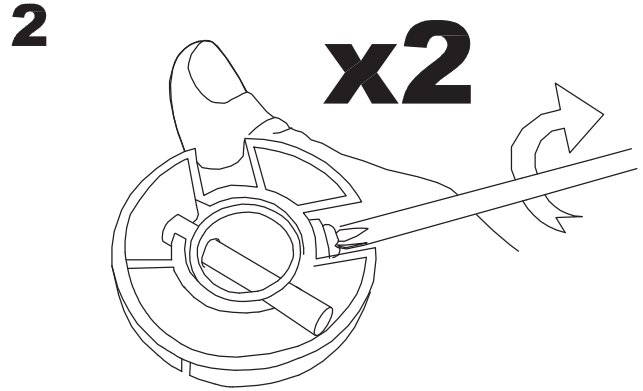
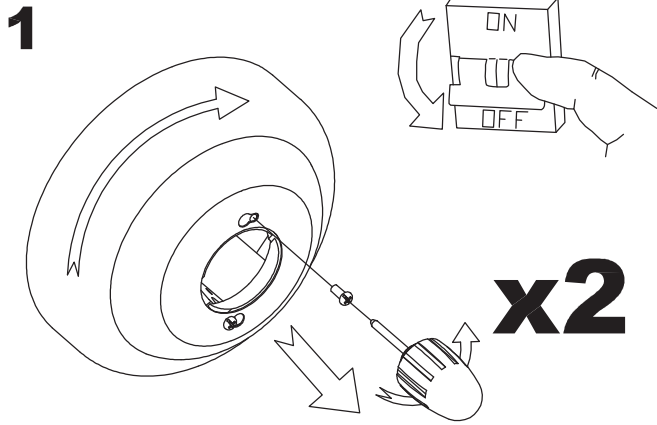


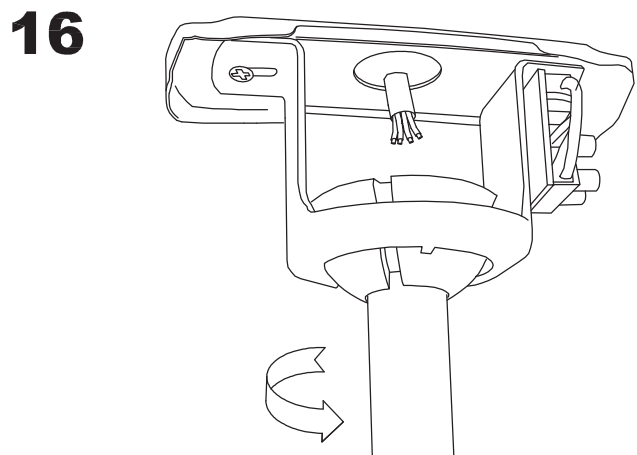
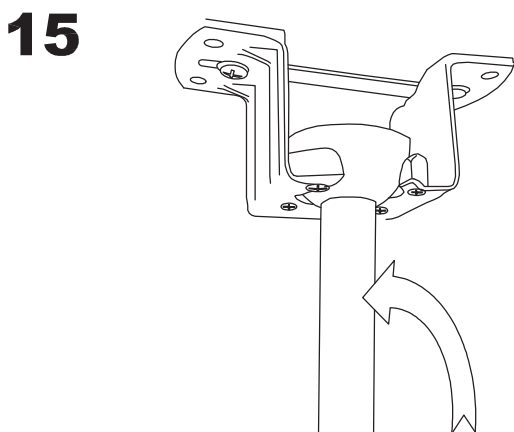
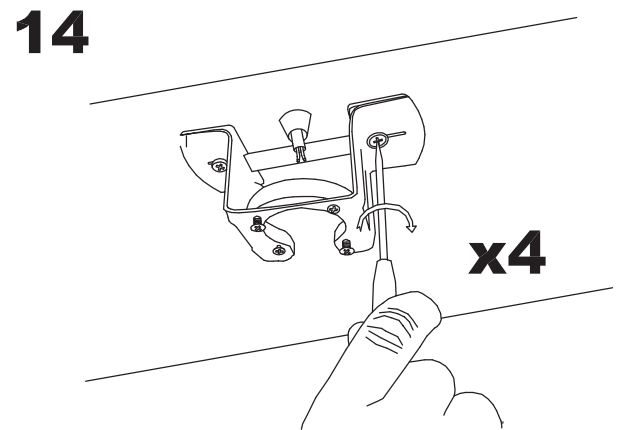
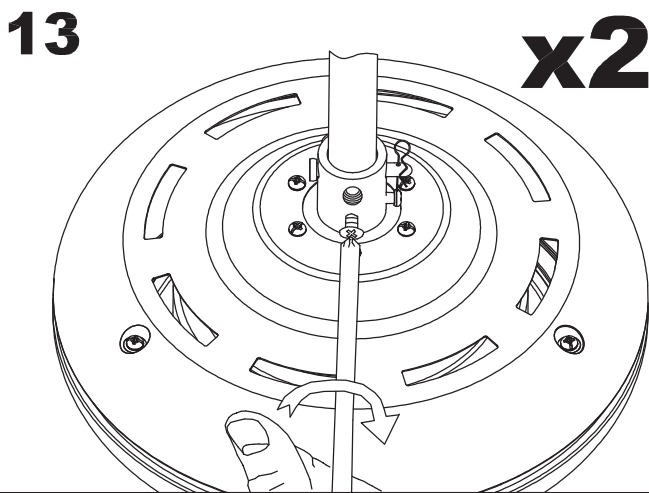
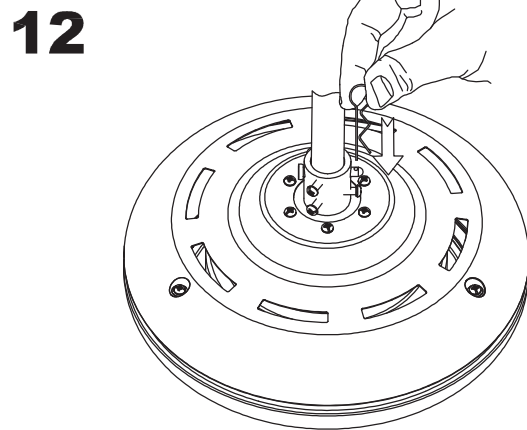
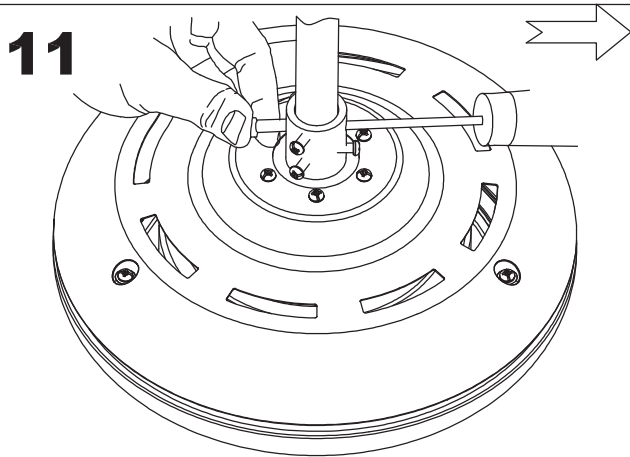
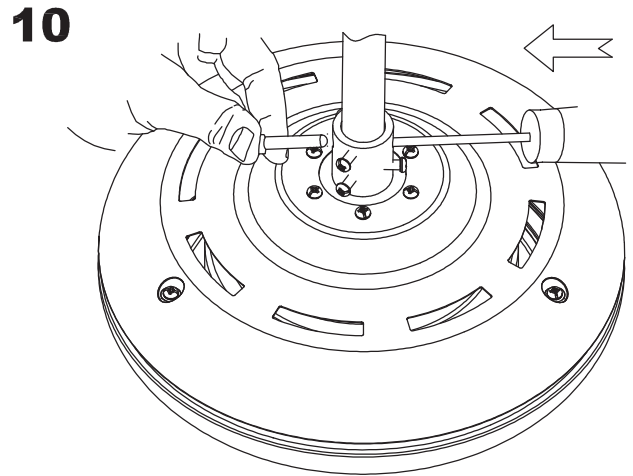
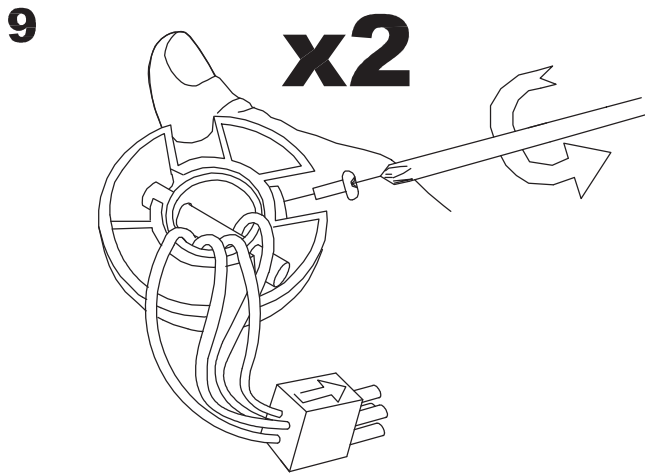
LED S-C4

30-4404-CF-F9

30-4404-81-F9

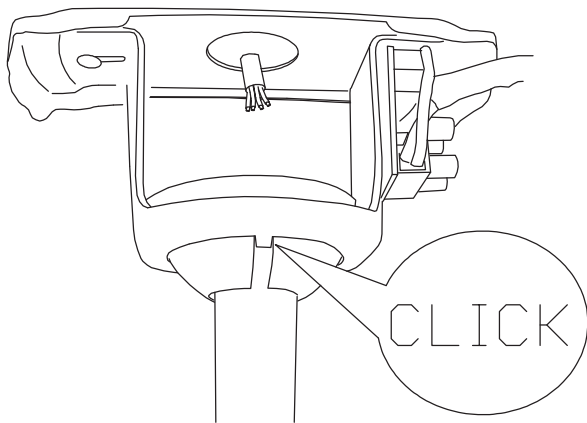




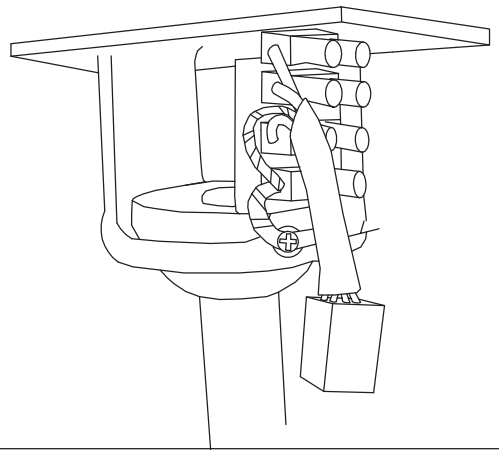




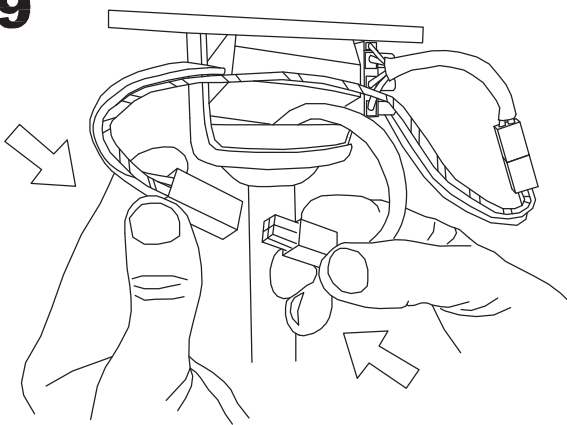
17



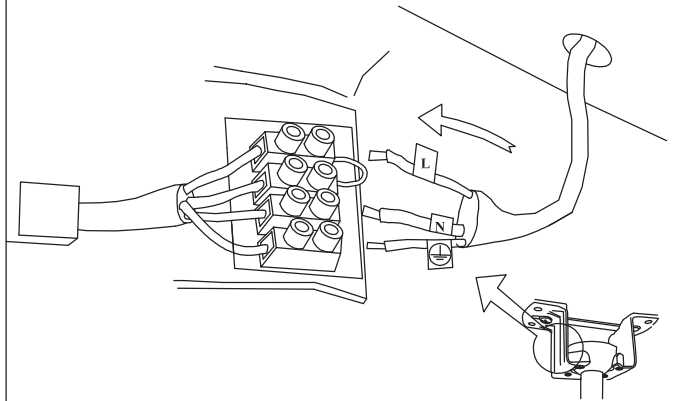
18



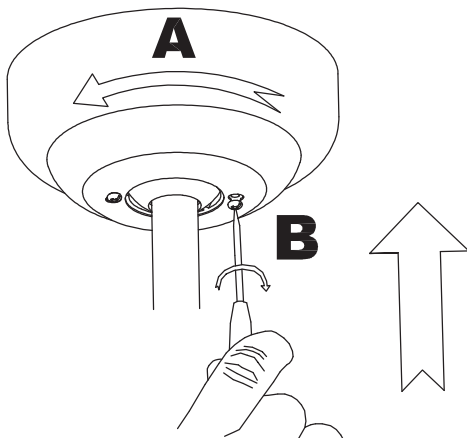
19



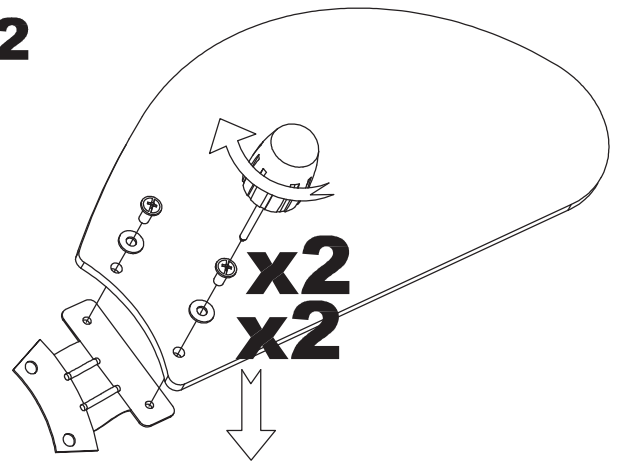
20



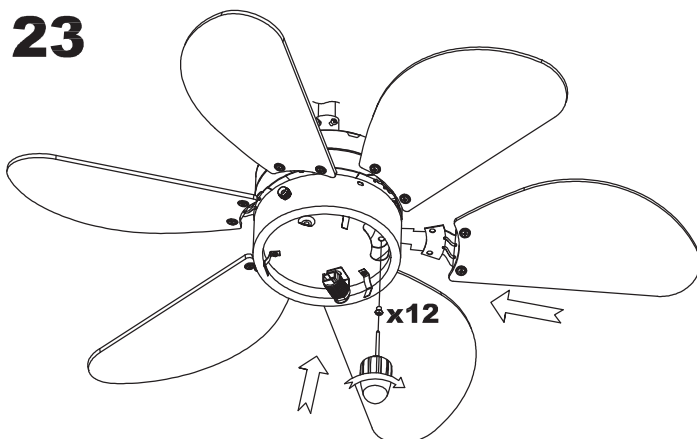
21



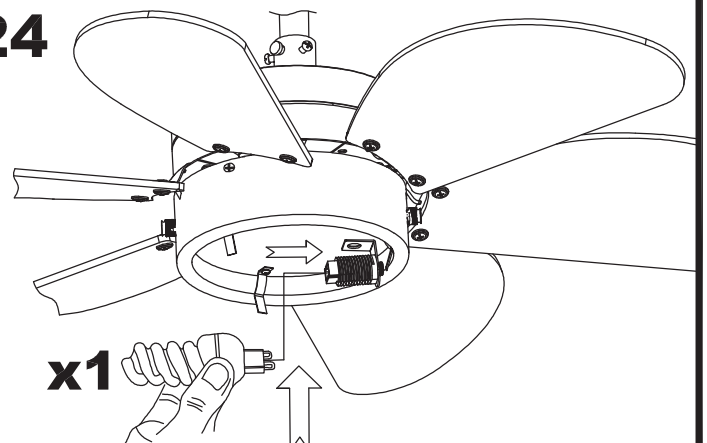
22



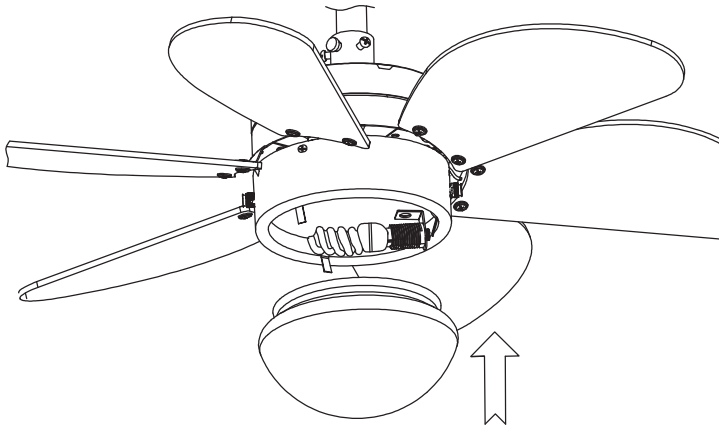
23



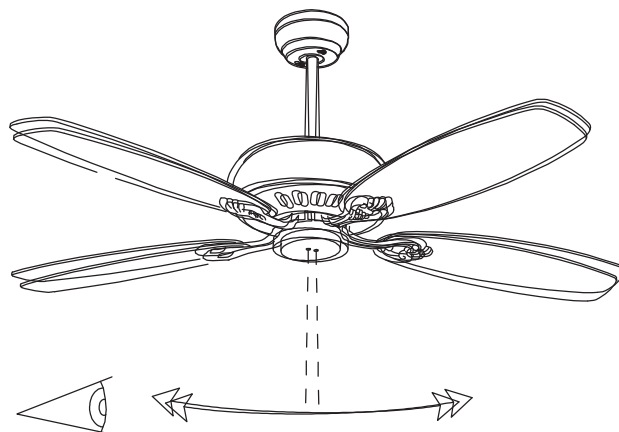
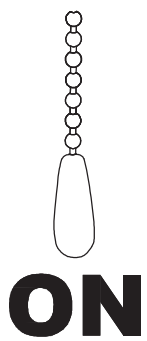
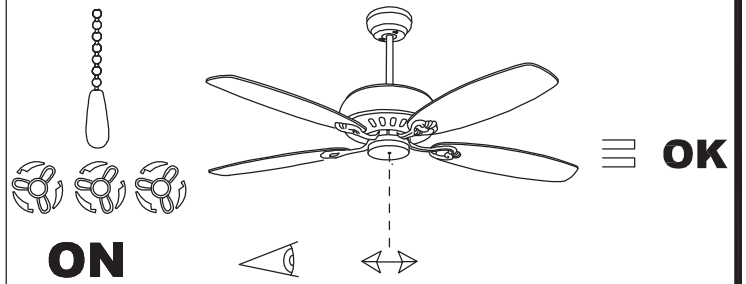
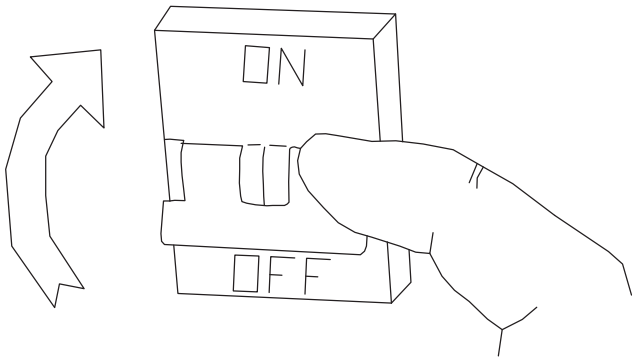
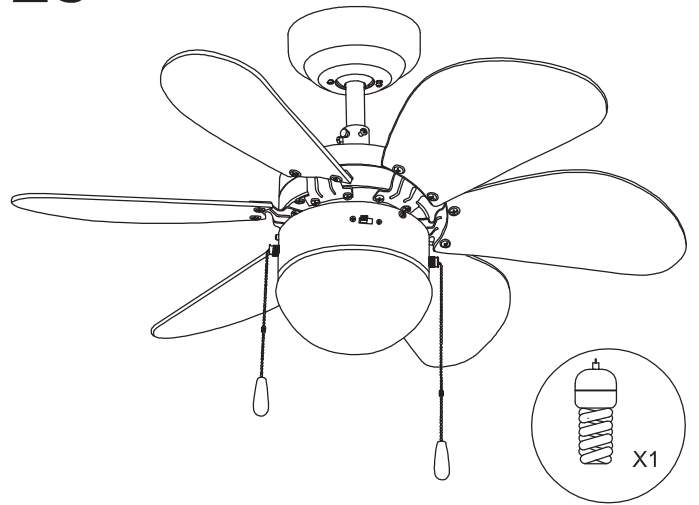
24



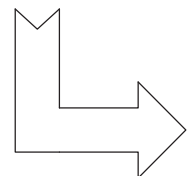
25

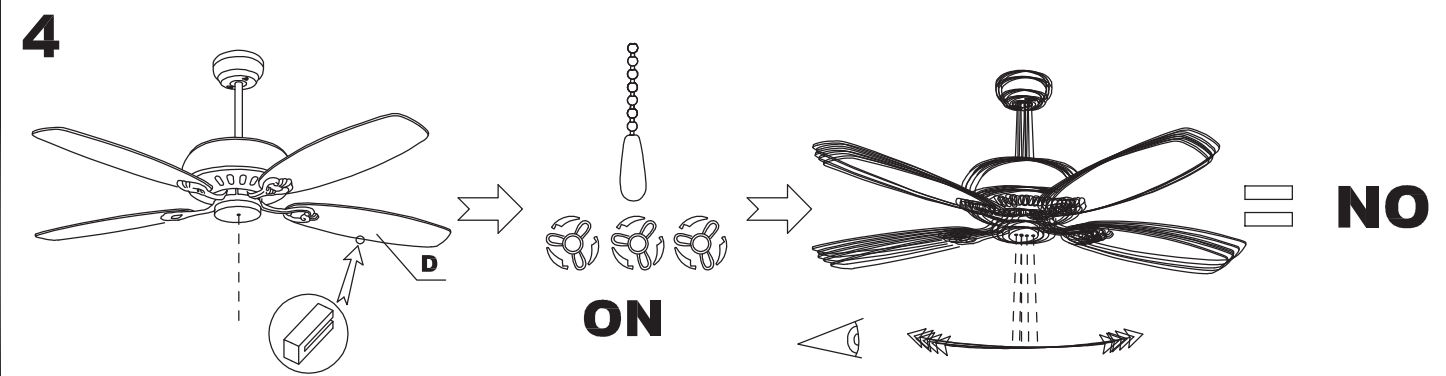
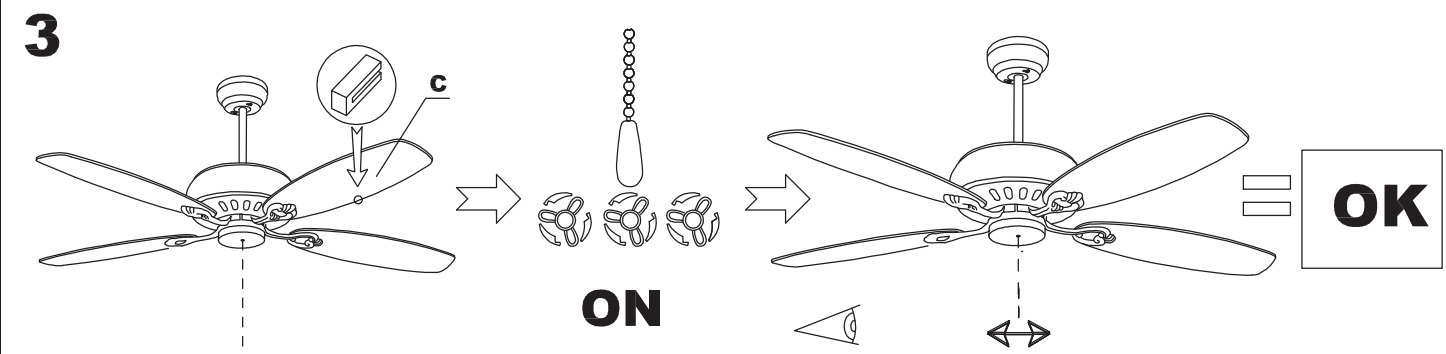
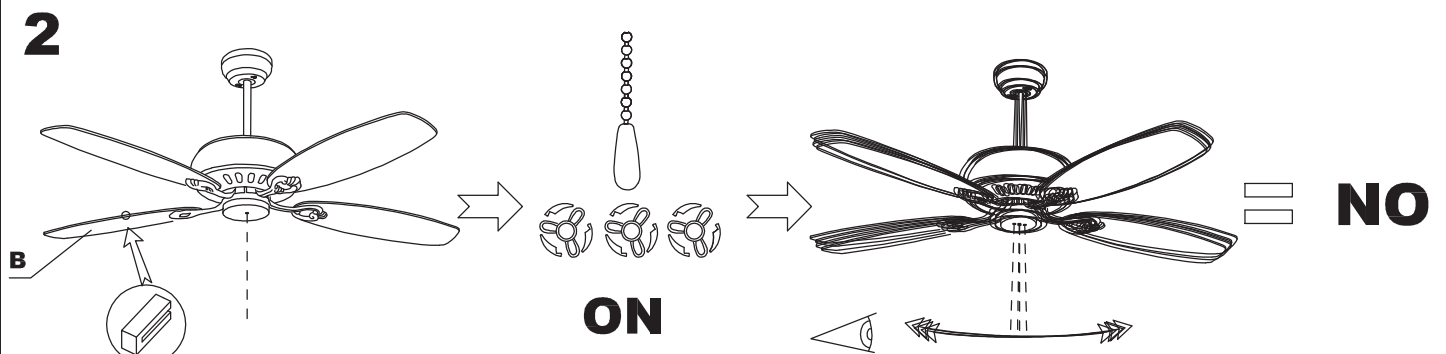
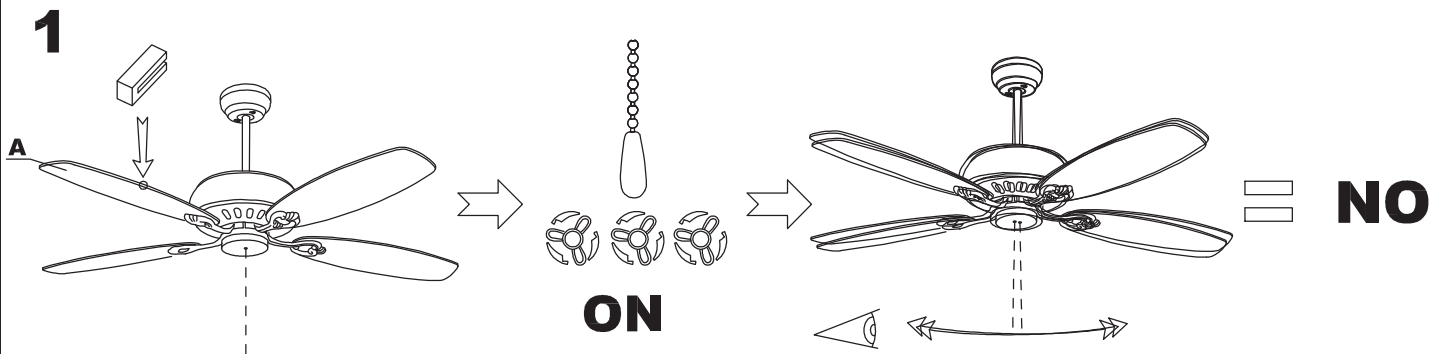
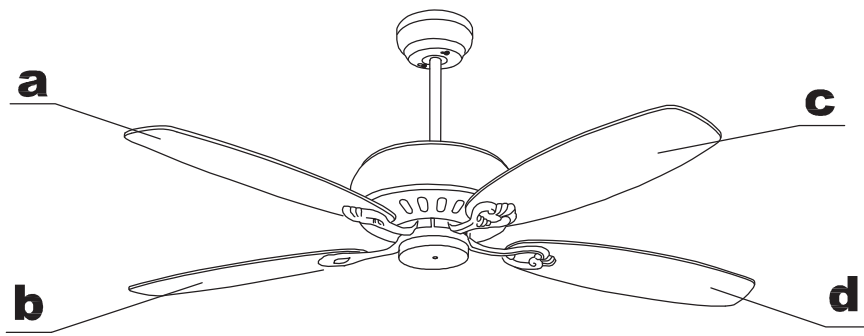


26

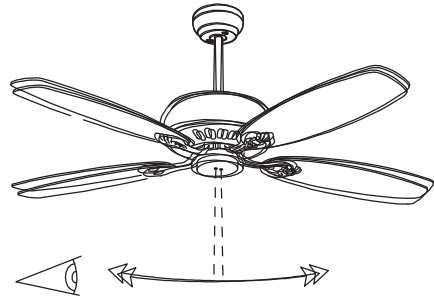
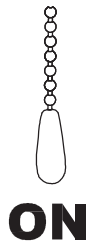
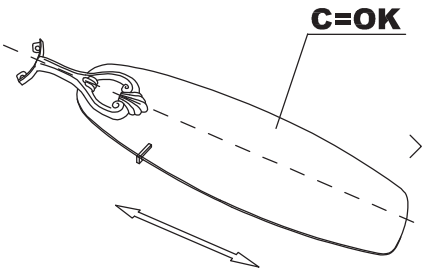


= NO



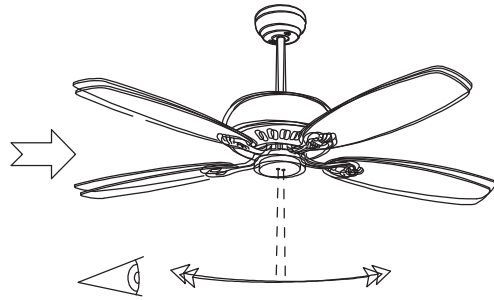
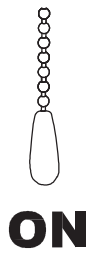
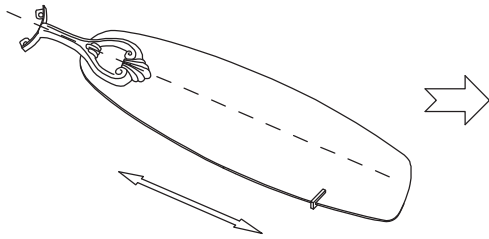


5



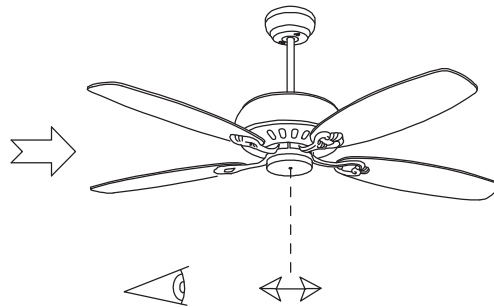
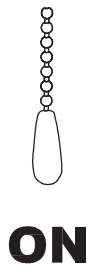
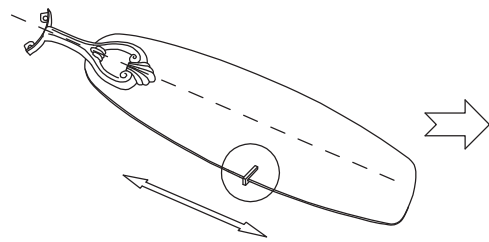
NO

6



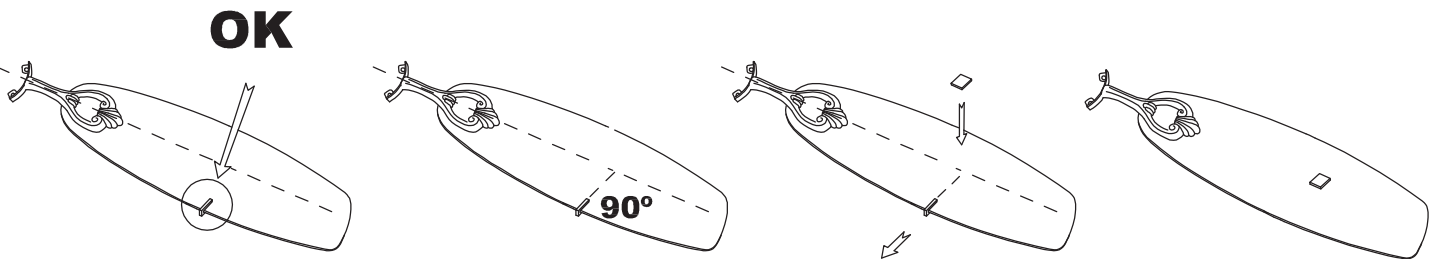
NO

7



OK

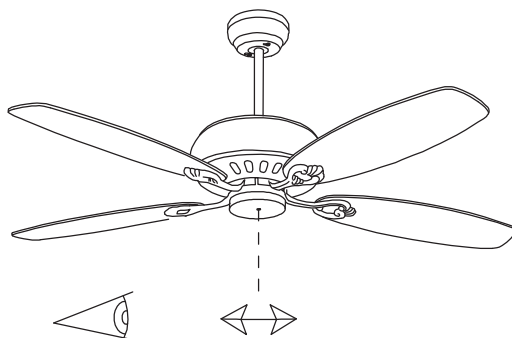
8



OK

90°

ON



OK