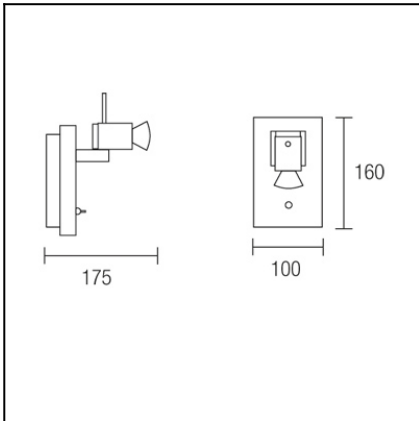


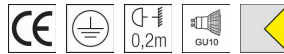


The photograph may not match the reference exactly. Please read the product description to identify the finish.



TECHNICAL CHARACTERISTICS

Type:	Wall fixture
IP Protection degrees:	IP20
Lampholder:	1 x GU10
Power (W):	GU10 MAX 50W
Bulb included:	1 x GU10 MAX 50W
Total power consumption (W):	50
Voltage / Frequency:	220-240V/50-60Hz
Warranty (Years):	2
Units per box:	6
Net Weight (Kg):	0.8
EAN:	8435111036280,00



MATERIALS / FINISHES

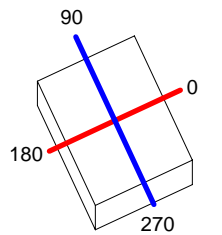
Structure material:	Steel Wenge-colored finish
Structure finish:	Chrome

Download photometric file .ldt / .ies

Luminaire		Measur.		Lamp		
Code	410-CR	Code	410-CR	Code	64826FL	
Name	Aplique 50W GU10	Name	Aplique 50W GU10	Number	1	
Line	- LEDS-C4	Date	15-11-2013	Position	Universal	
Efficiency	100.00%	Coordinate system	CG	Total Flux	370.00 lm	
Maximum value	661.33 cd	Position	C=15.00 G=5.00	Double Symmetrical		
Rectangular Luminaire	Length	160 mm	Width	125 mm	Height	100 mm
Round Luminous Area	Diam.	50 mm	Height	0 mm		
Horizontal Luminous Area	0.001963 m2	Emitting area on Plane 180°		0.000000 m2		
Emitting area on Plane 0°	0.000000 m2	Emitting area on Plane 270°		0.000000 m2		
Emitting area on Plane 90°	0.000000 m2	Glare area at 76°		0.000475 m2		
Symmetry Type	Double Symmetrical	Maximum Gamma Angle	180			
Measurement Distance	6.44	Measurement Flux	340.60 lm			
Operator	Asselum T2	Source voltage	230.00 V			
Temperature	20.00 °C	Source current	PRC			
Humidity	50.00 %	Photocell				
Notes						

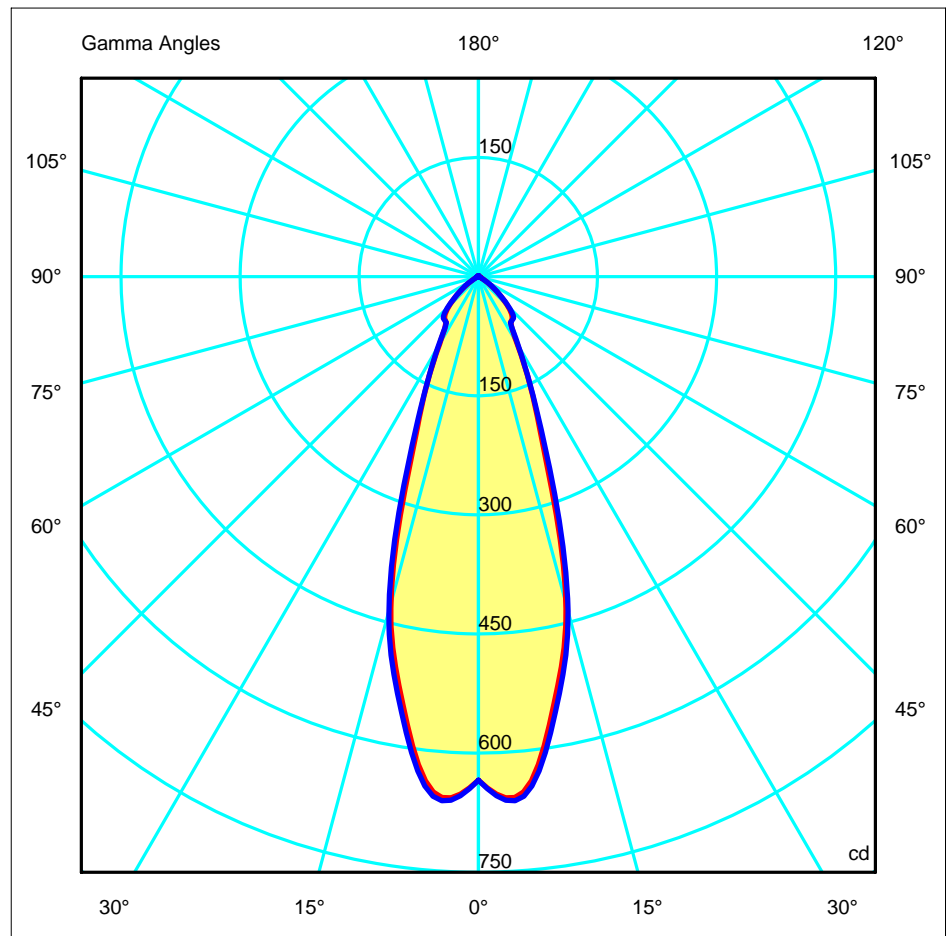
Line		Code	Luminaire Lamps		Flux [lm]	Pow. [W]	Q.ty
OSRAM 2006 HS, HM, HD, HR		64826FL	Name	HALOPAR® 16 50W GZ10	370.00	50.00	1
C.I.E.	83 97 99 99 100		D DIN 5040	A61			
F UTE	0.99 B + 0.01 T		B NBN	BZ 1			

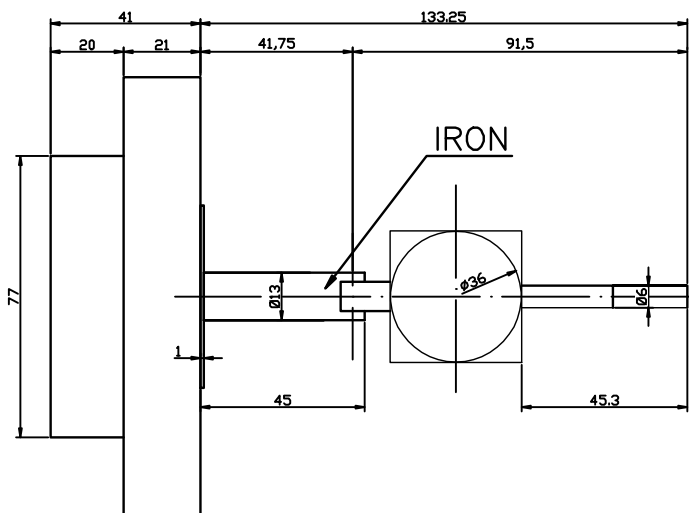
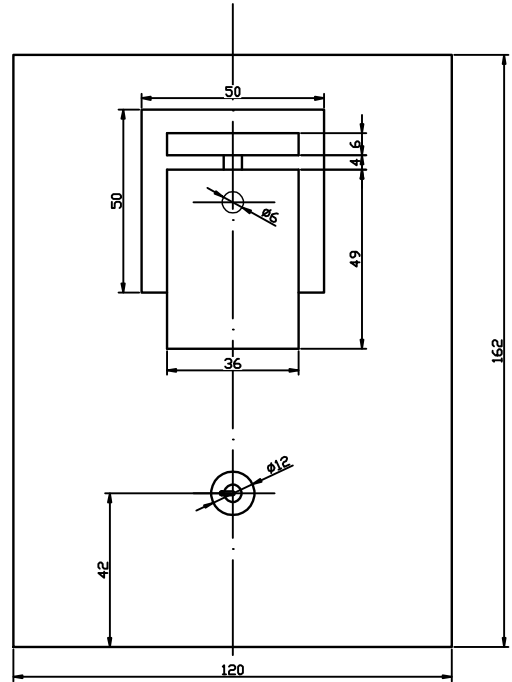
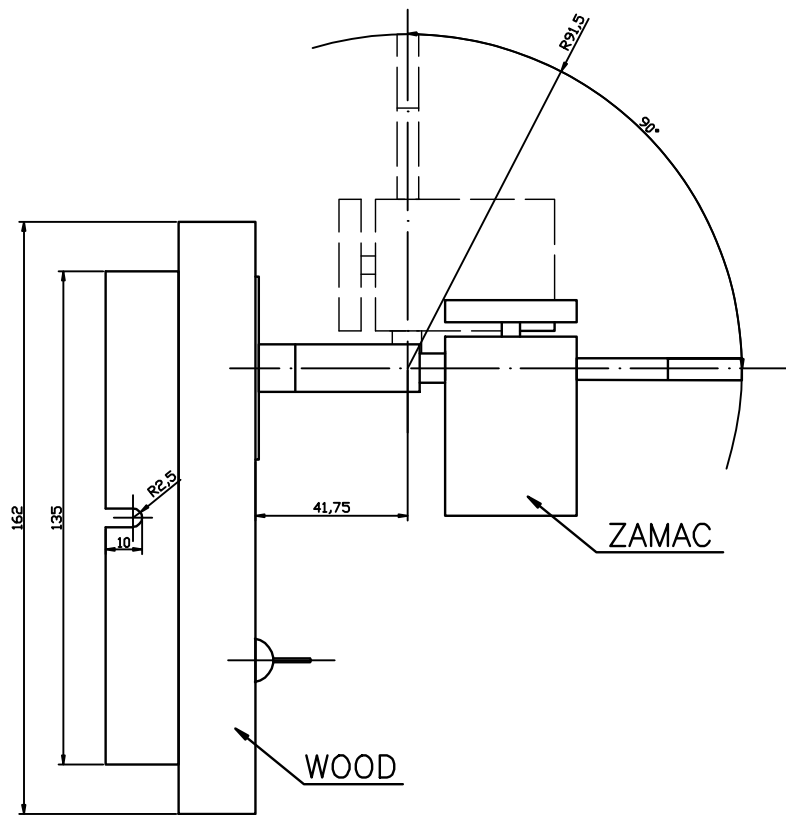
160mm x 125mm



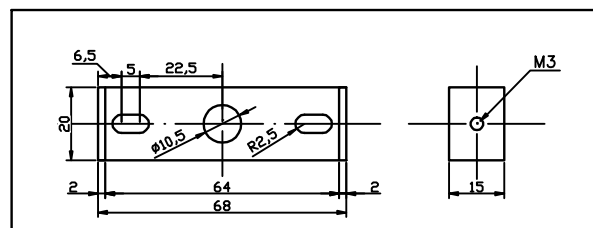
C Halfplanes
 180.0 — 0.0
 270.0 — 90.0

ULOR 1.49 %
 DLOR 98.51 %
 RN 1.49 %

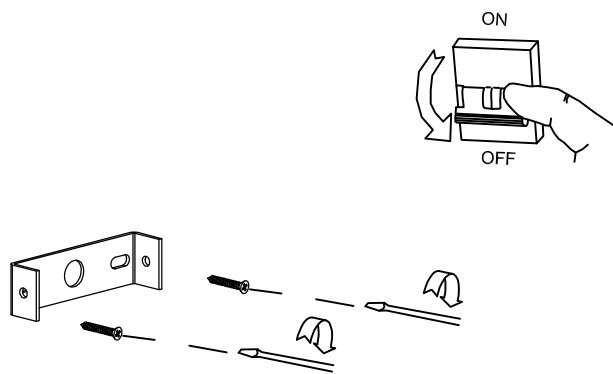




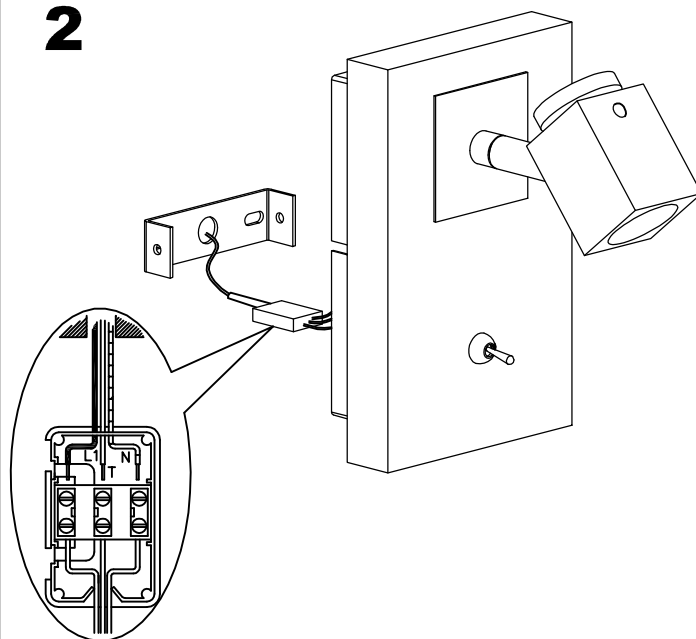
FIXATION SYSTEM



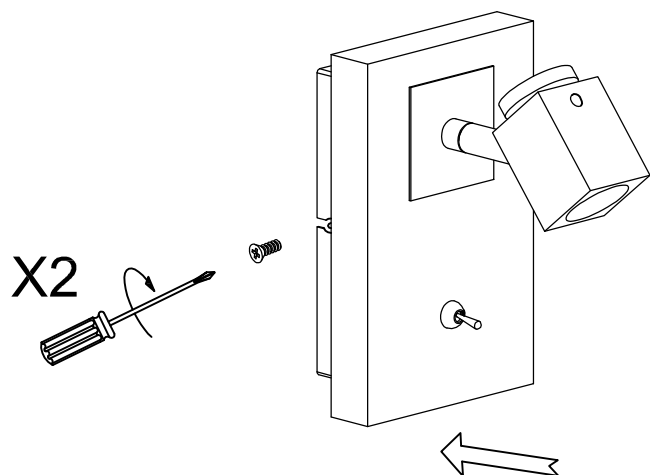
1



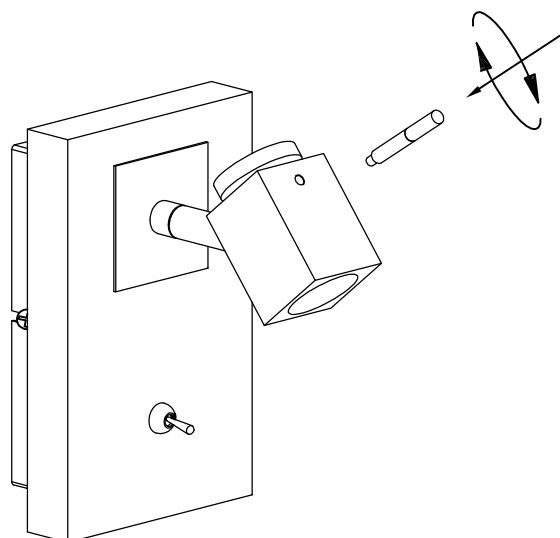
2



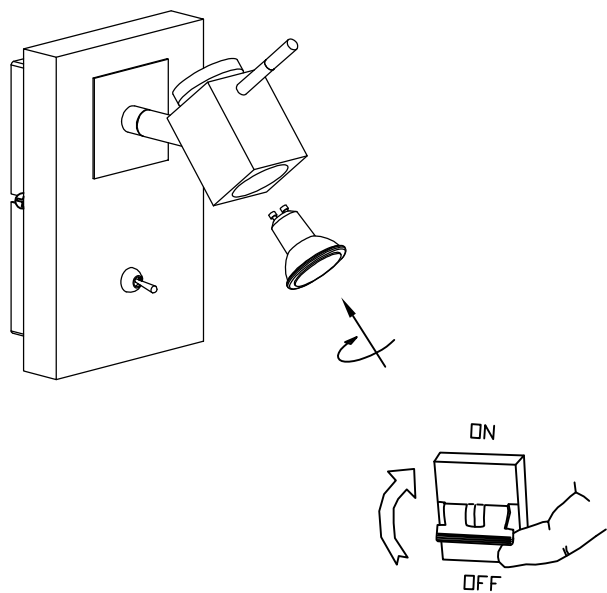
3



4



5



6

