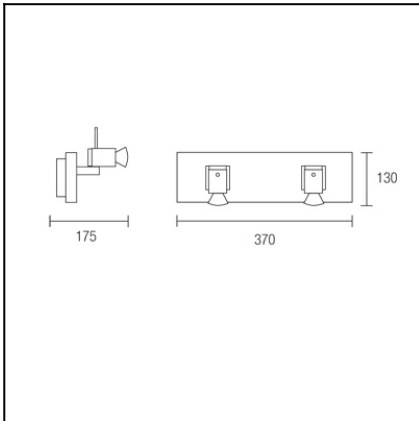


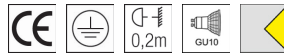


The photograph may not match the reference exactly. Please read the product description to identify the finish.



TECHNICAL CHARACTERISTICS

Type:	Wall fixture
IP Protection degrees:	IP20
Lampholder:	2 x GU10
Power (W):	GU10 MAX 50W
Bulb included:	2 x GU10 MAX 50W
Total power consumption (W):	100
Voltage / Frequency:	220-240V/50-60Hz
Warranty (Years):	2
Units per box:	4
Net Weight (Kg):	2.05
EAN:	8435111036297,00



MATERIALS / FINISHES

Structure material: Steel
Wenge-colored finish

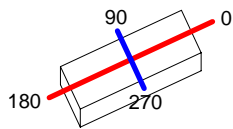
Structure finish: Chrome

Download photometric file .ldt /.ies

Luminaire		Measur.		Lamp		
Code	411-CR	Code	411-CR	Code	64826FL	
Name	Aplique 2x50W GU10	Name	Aplique 2x50W GU10	Number	2	
Line	- LEDS-C4	Date	15-11-2013	Position	Universal	
Efficiency	100.00%	Coordinate system	CG	Total Flux	740.00 lm	
Maximum value	1228.11 cd	Position	C=0.00 G=0.00	Double Symmetrical		
Rectangular Luminaire	Length	130 mm	Width	370 mm	Height	100 mm
Rectangular Luminous Area	Length	50 mm	Width	260 mm	Height	0 mm
Horizontal Luminous Area	0.013000 m2	Emitting area on Plane 180°		0.000000 m2		
Emitting area on Plane 0°	0.000000 m2	Emitting area on Plane 270°		0.000000 m2		
Emitting area on Plane 90°	0.000000 m2	Glare area at 76°		0.003145 m2		
Symmetry Type	Double Symmetrical	Maximum Gamma Angle		90		
Measurement Distance	6.44	Measurement Flux		696.96 lm		
Operator	Asselum T2	Source voltage		230.00 V		
Temperature	20.00 °C	Source current		PRC		
Humidity	48.00 %	Photocell				
Notes						

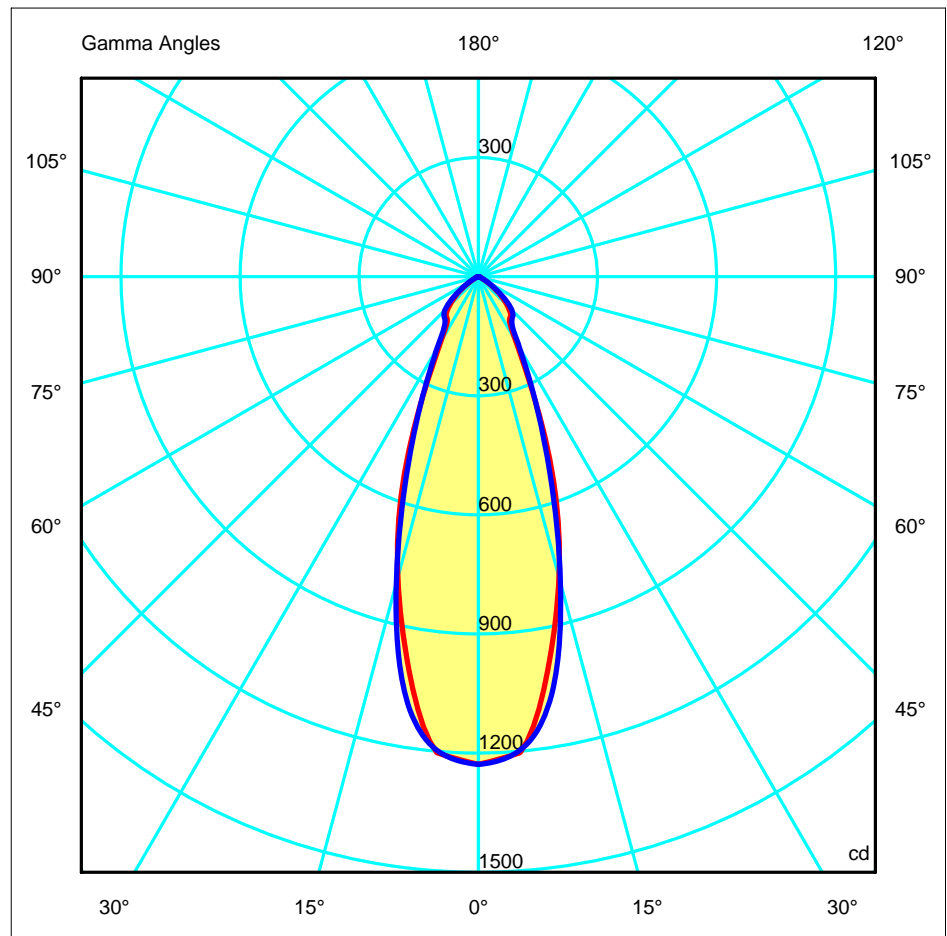
Line		Code	Luminaire Lamps		Flux [lm]	Pow. [W]	Q.ty
OSRAM 2006 HS, HM, HD, HR		64826FL	Name HALOPAR® 16 50W GZ10		370.00	50.00	2
C.I.E.	81 97 99 100 100		D DIN 5040	A60			
F UTE	1.00 B		B NBN	BZ 1			

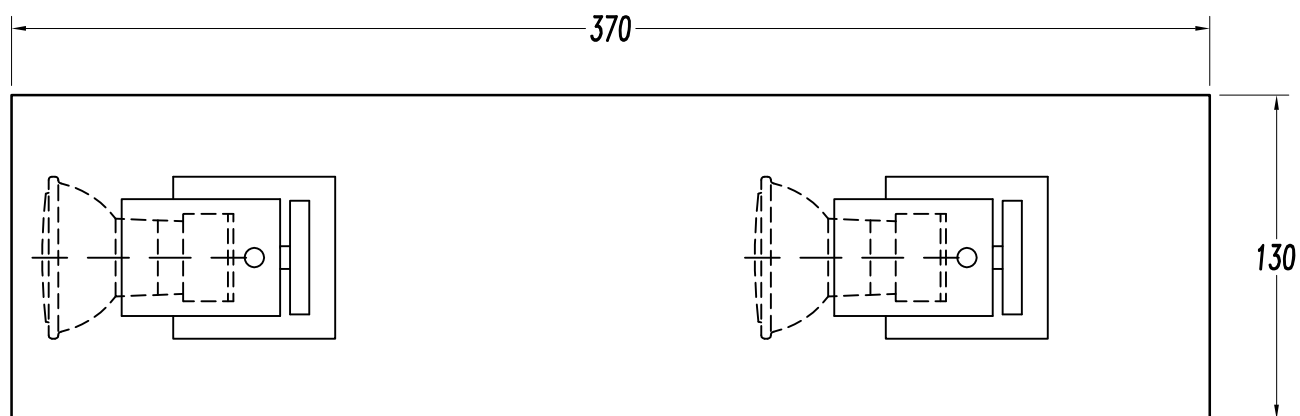
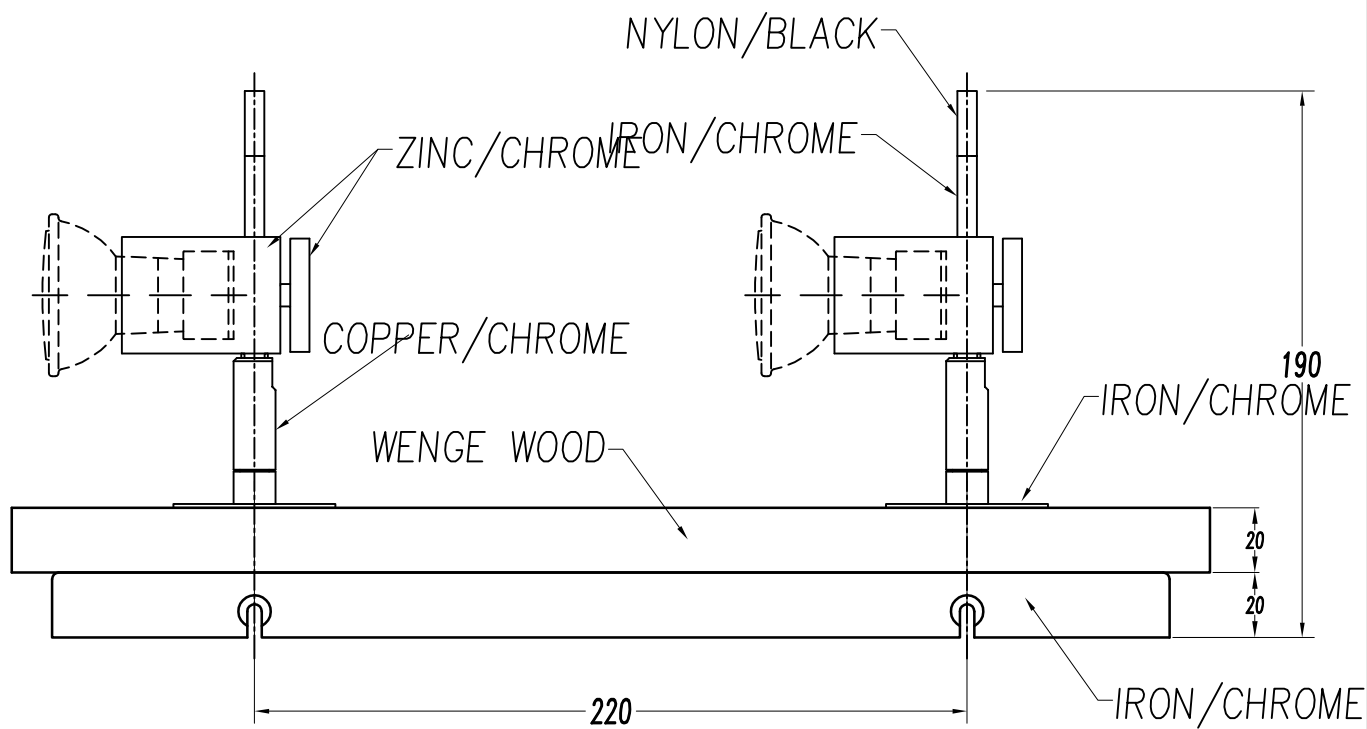
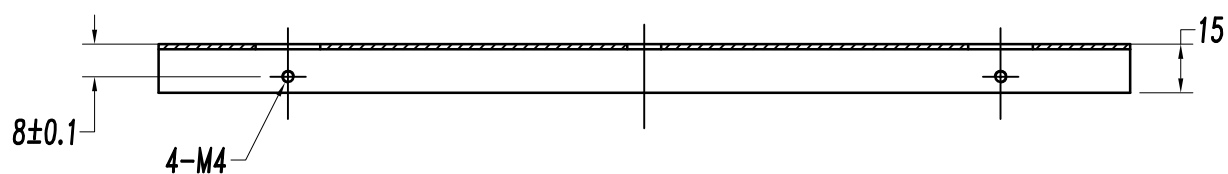
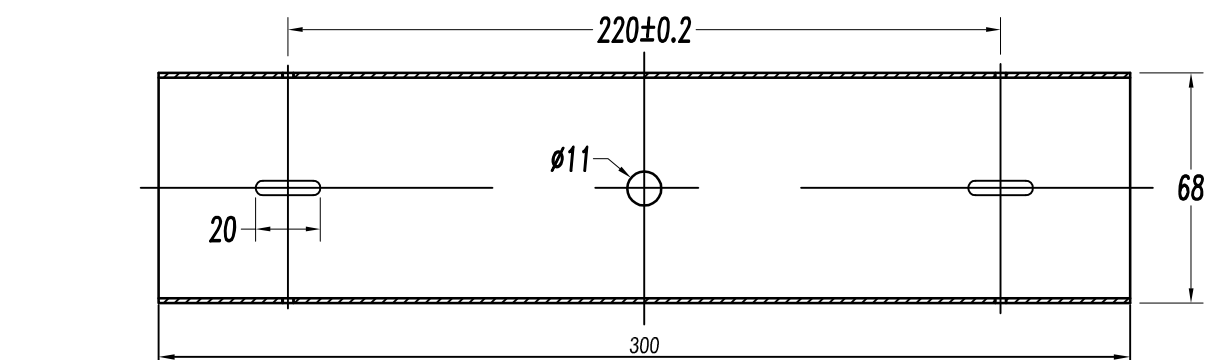
130mm x 370mm



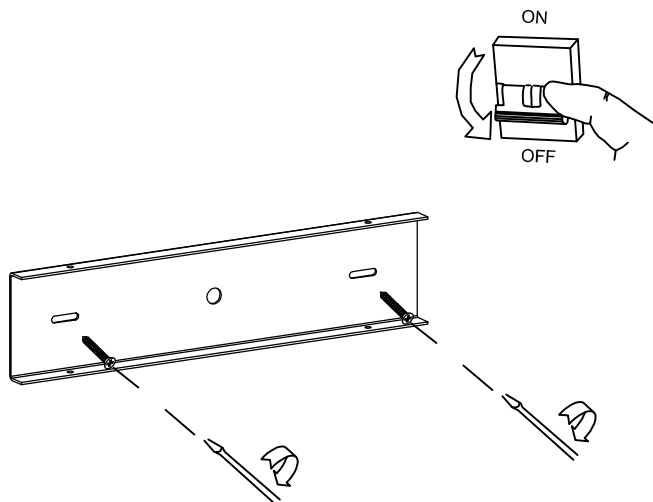
C Halfplanes
 180.0 — 0.0
 270.0 — 90.0

ULOR 0.00 %
 DLOR 100.00 %
 RN 0.00 %

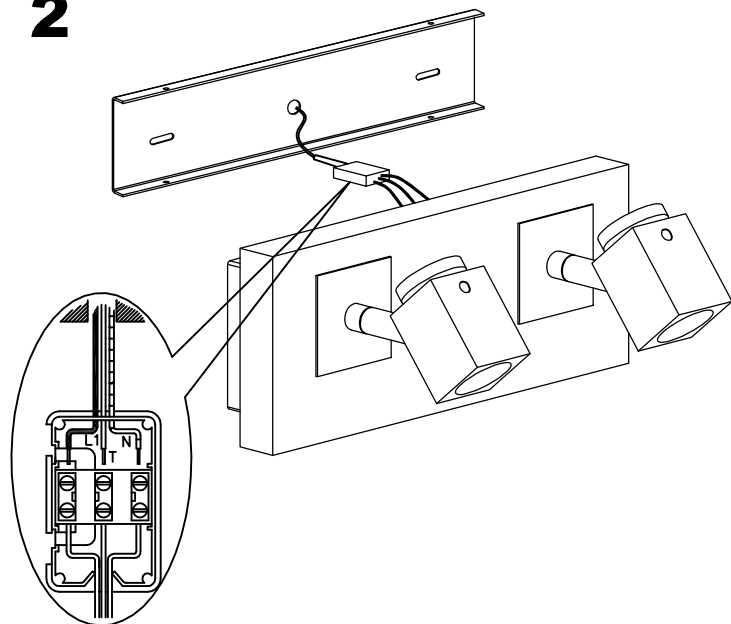




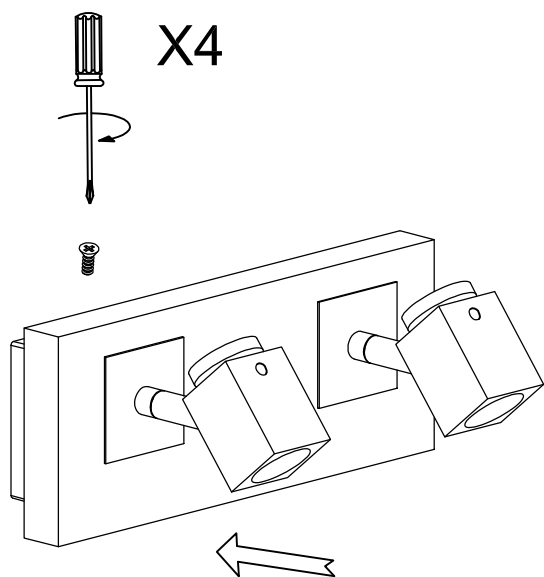
1



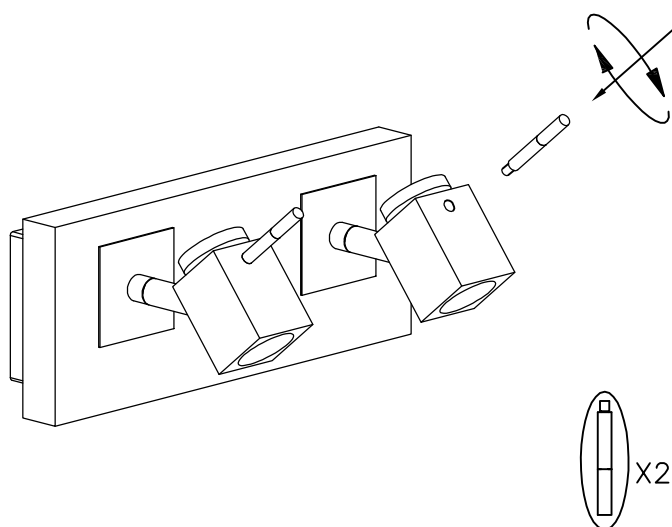
2



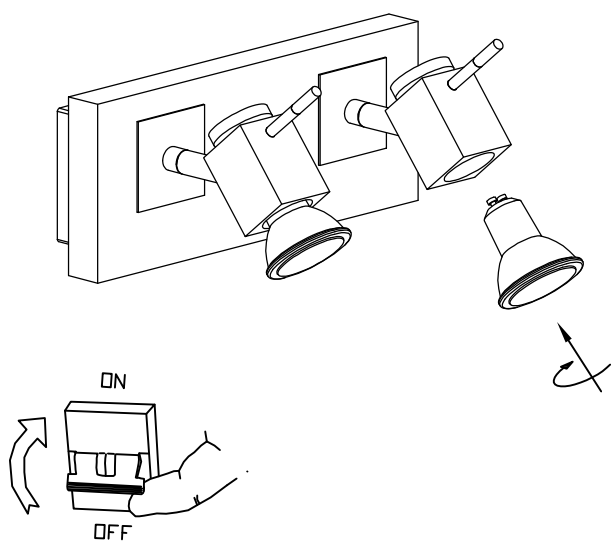
3



4



5



6

