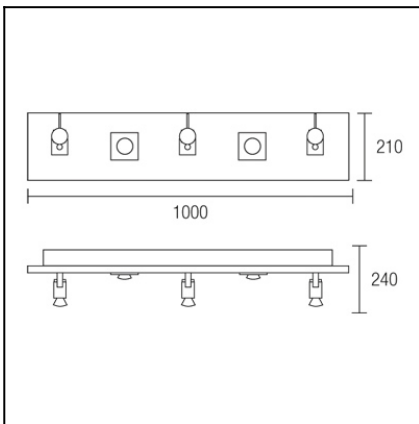




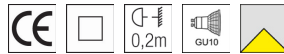
The photograph may not match the reference exactly. Please read the product description to identify the finish.



[Download photometric file .ldt / .ies](#)

TECHNICAL CHARACTERISTICS

Type:	Pendant
IP Protection degrees:	IP20
Lampholder:	5 x GU10
Power (W):	GU10 MAX 50W
Bulb included:	5 x GU10 MAX 50W
Total power consumption (W):	250
Voltage / Frequency:	220-240V/50-60Hz
Warranty (Years):	2
Units per box:	2
Net Weight (Kg):	7.85
EAN:	8435111036341,00



MATERIALS / FINISHES

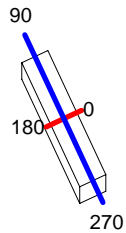
Structure material: Steel
Wenge-colored finish

Structure finish: Chrome

Luminaire		Measur.		Lamp		
Code	416-CR	Code	416-CR	Code	64826FL	
Name	Aplique 5x50W GU10	Name	Aplique 5x50W GU10	Number	5	
Line	- LEDS-C4	Date	18-11-2013	Position	Universal	
Efficiency	100.00%	Coordinate system	CG	Total Flux	1850.00 lm	
Maximum value	3770.51 cd	Position	C=0.00 G=0.00	Double Symmetrical		
Rectangular Luminaire	Length	1000 mm	Width	210 mm	Height	200 mm
Rectangular Luminous Area	Length	930 mm	Width	50 mm	Height	0 mm
Horizontal Luminous Area	0.046500 m2	Emitting area on Plane 180°		0.000000 m2		
Emitting area on Plane 0°	0.000000 m2	Emitting area on Plane 270°		0.000000 m2		
Emitting area on Plane 90°	0.000000 m2	Glare area at 76°		0.011249 m2		
Symmetry Type	Double Symmetrical	Maximum Gamma Angle	180			
Measurement Distance	6.44	Measurement Flux	1798.42 lm			
Operator	Asselum T2	Source voltage	230.00 V			
Temperature	20.00 °C	Source current	PRC			
Humidity	57.00 %	Photocell				
Notes						

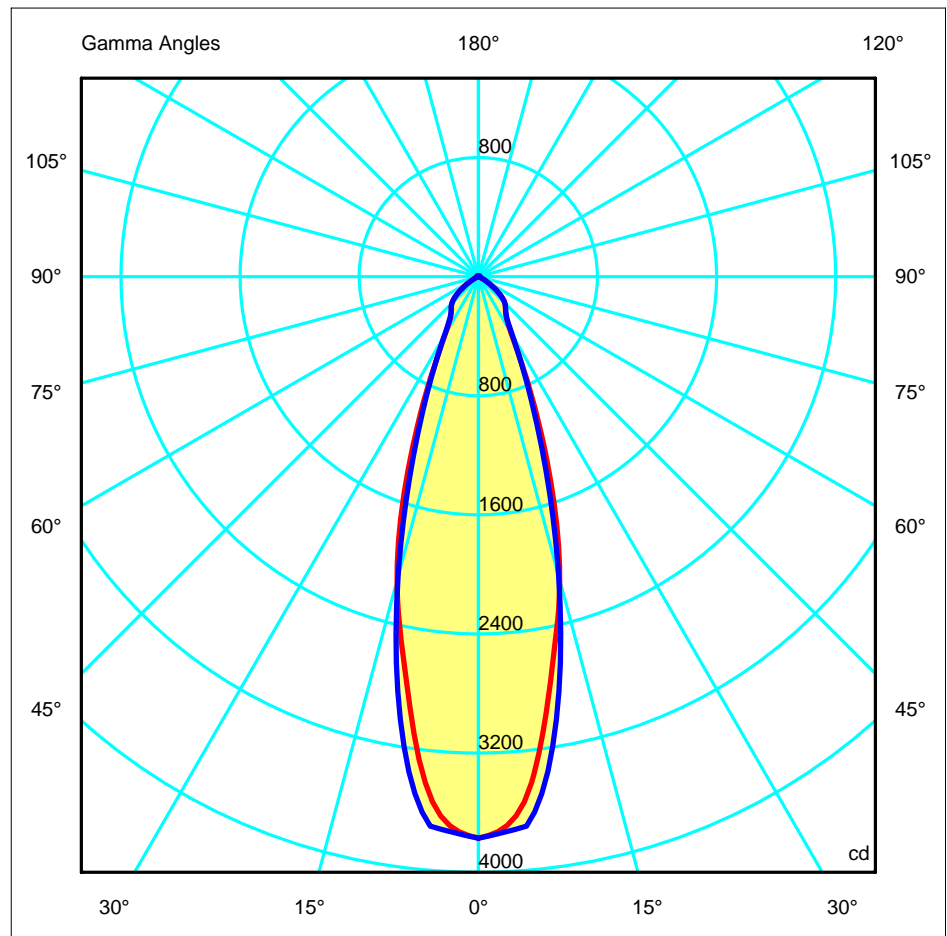
Line		Code	Luminaire Lamps		Flux [lm]	Pow. [W]	Q.ty
OSRAM 2006 HS, HM, HD, HR		64826FL	Name HALOPAR® 16 50W GZ10		370.00	50.00	5
C.I.E.	83 97 99 98 100		D DIN 5040	A61			
F UTE	0.98 B + 0.02 T		B NBN	BZ 1			

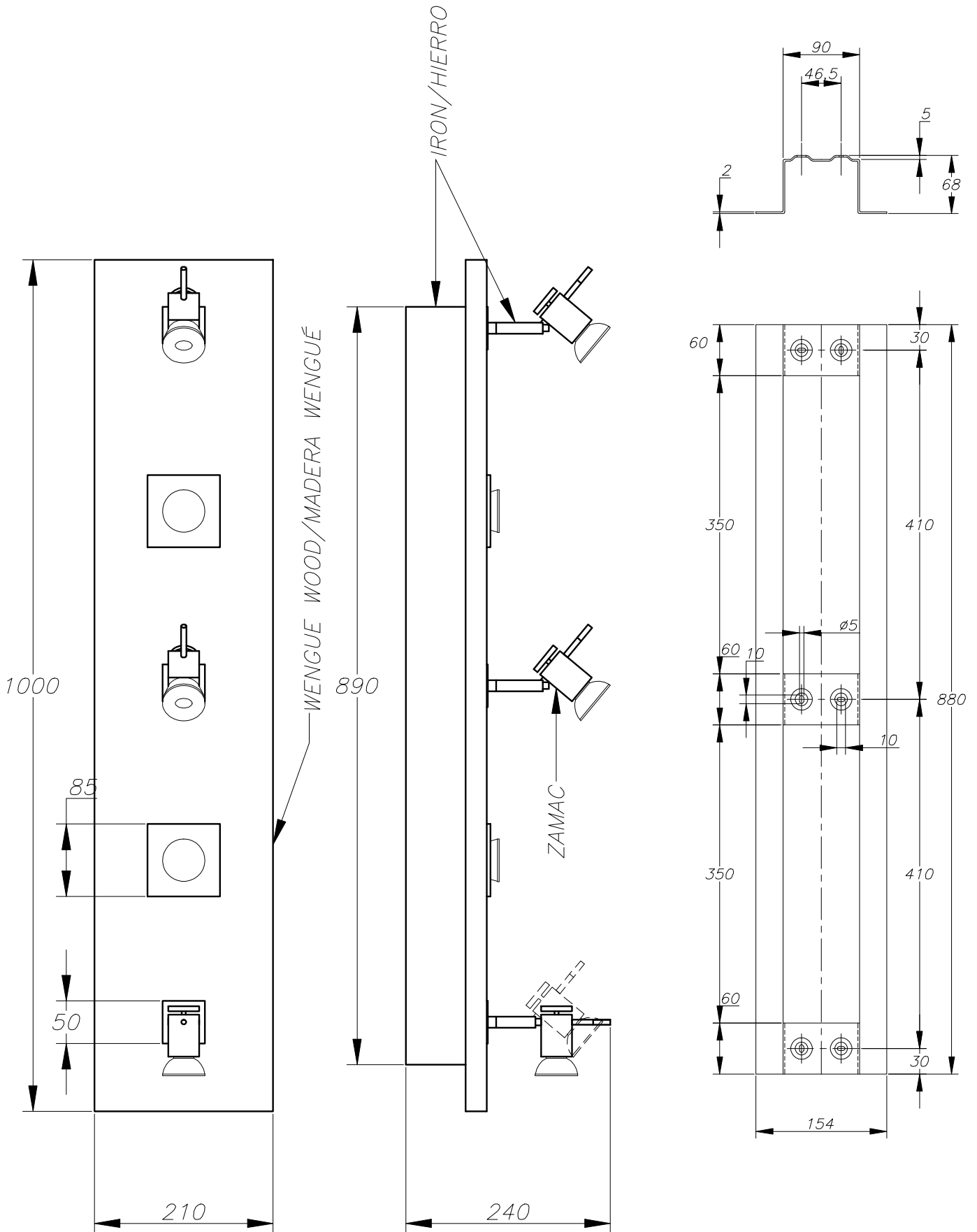
1000mm x 210mm



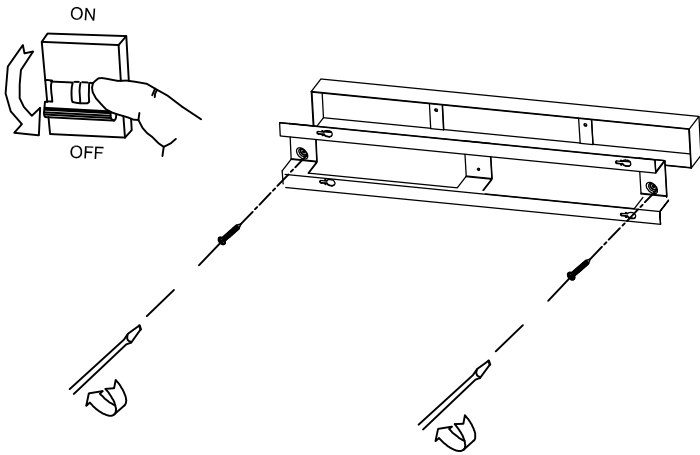
C Halfplanes
 180.0 — 0.0
 270.0 — 90.0

ULOR 1.81 %
 DLOR 98.19 %
 RN 1.81 %

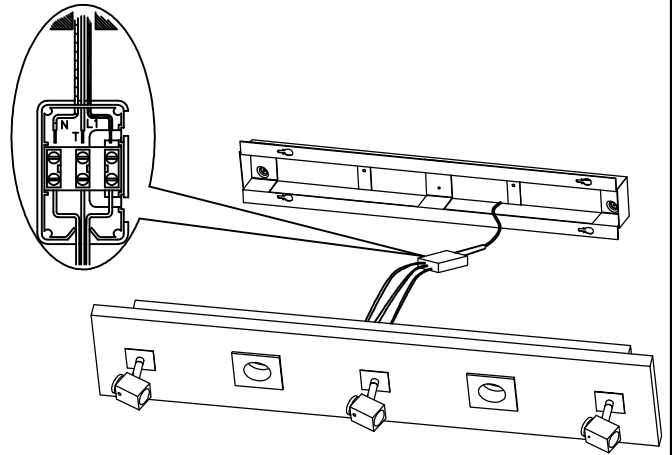




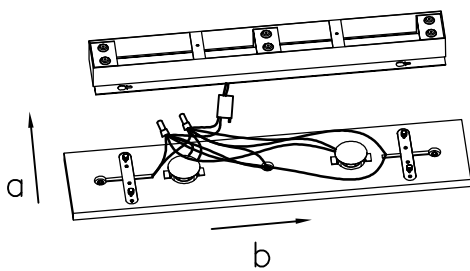
1



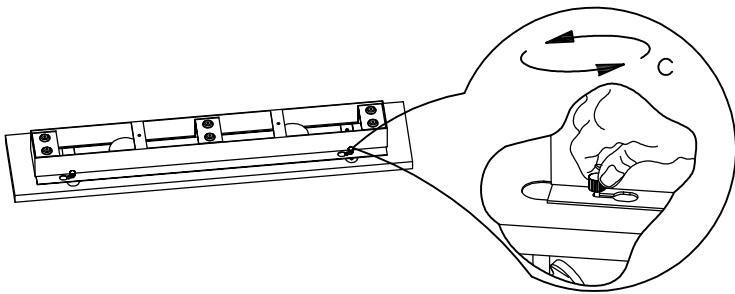
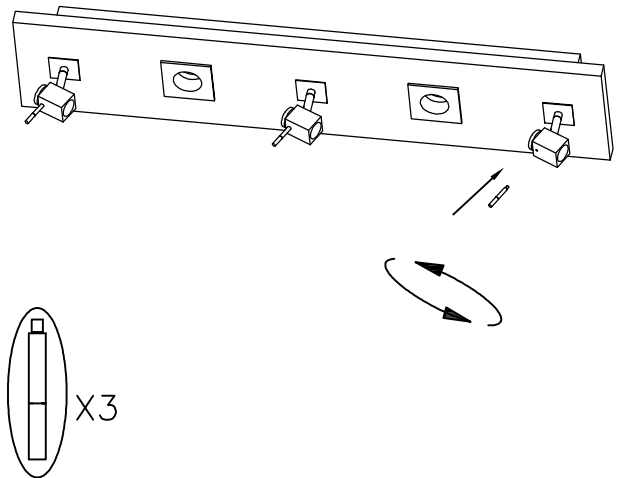
2



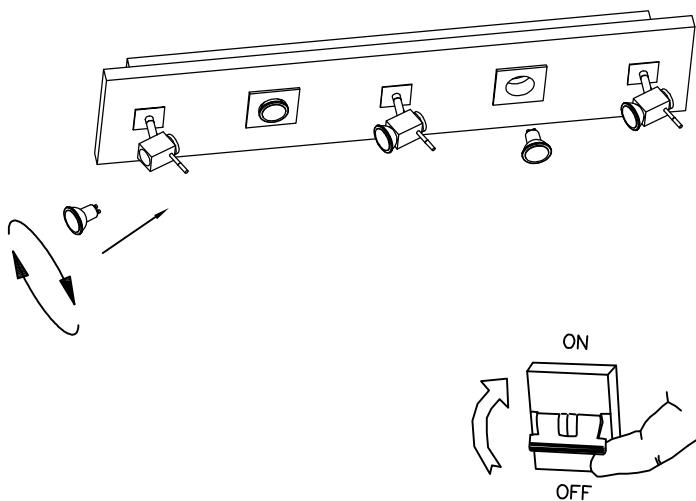
3



4



5



6

