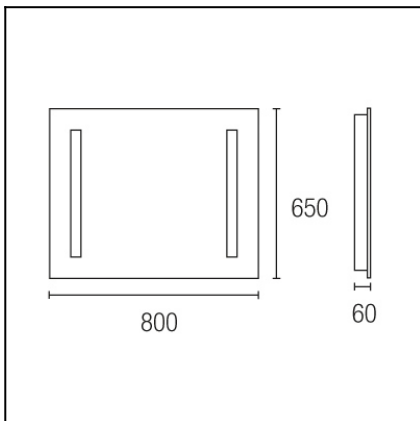




The photograph may not match the reference exactly. Please read the product description to identify the finish.



## TECHNICAL CHARACTERISTICS

|                              |                  |
|------------------------------|------------------|
| Type:                        | Mirror           |
| IP Protection degrees:       | IP23             |
| Lampholder:                  | 2 x 2G11         |
| Power (W):                   | 2G11 55W         |
| Bulb included:               | 2 x 2G11 55W     |
| Total power consumption (W): | 97.9             |
| Voltage / Frequency:         | 220-240V/50-60Hz |
| Warranty (Years):            | 2                |
| Units per box:               | 1                |
| Net Weight (Kg):             | 11.96            |
| EAN:                         | 8435111036396,00 |

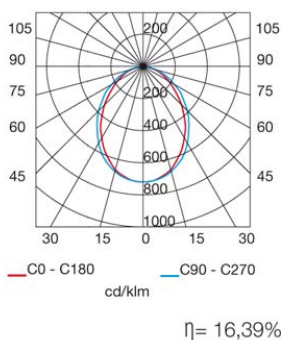


## MATERIALS / FINISHES

|                            |                 |
|----------------------------|-----------------|
| <b>Structure material:</b> | Steel<br>Mirror |
| <b>Structure finish:</b>   | White           |

## GEAR

Gear included: Yes, electronic



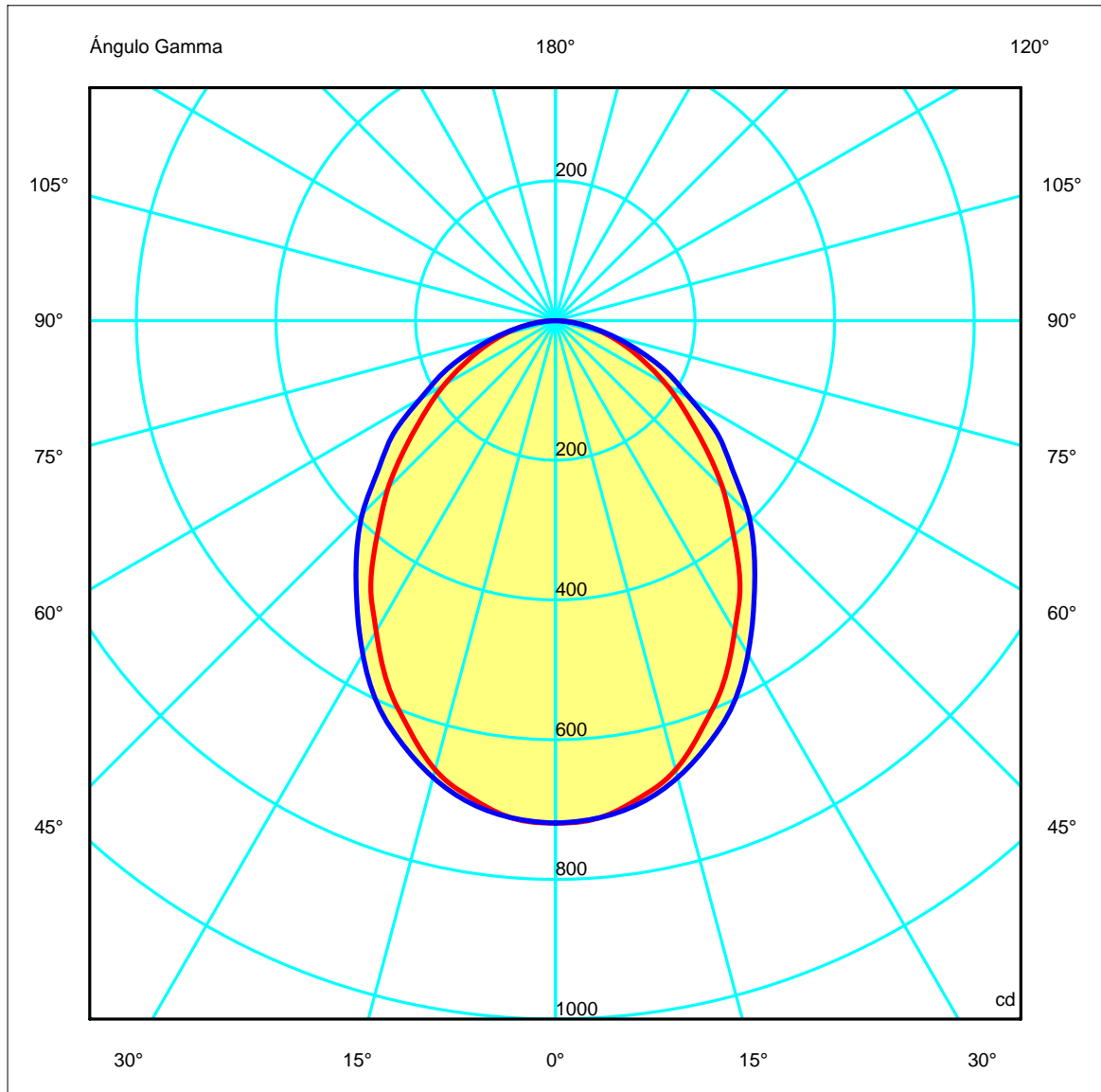
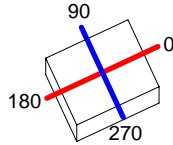
Download photometric file .ldt / .ies

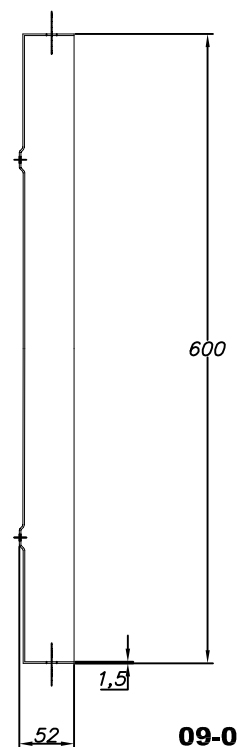
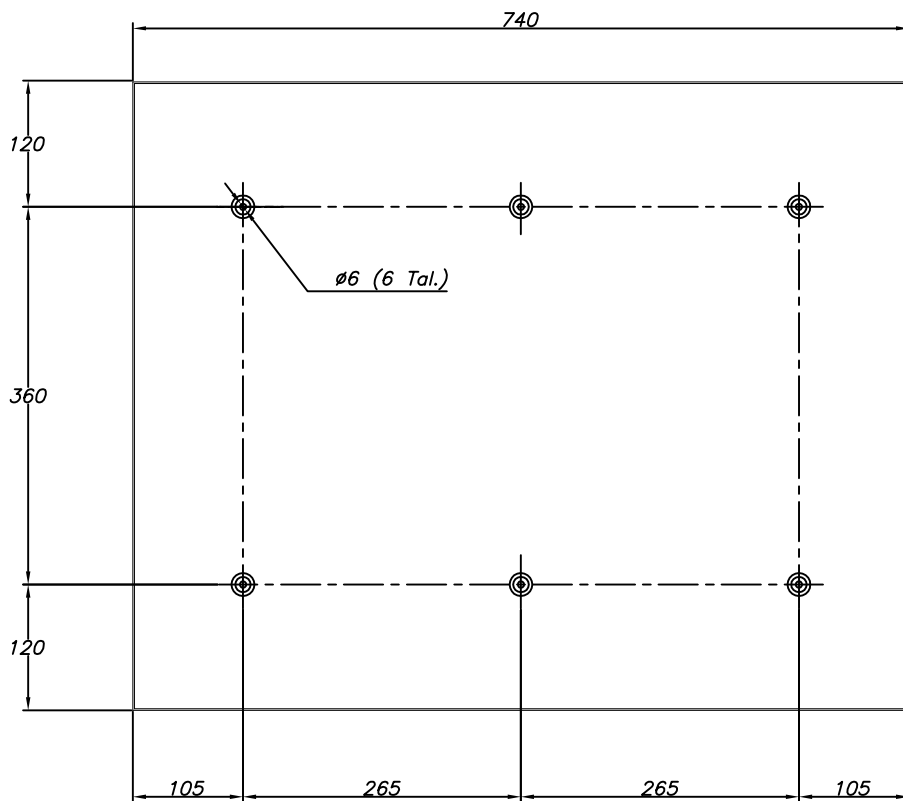
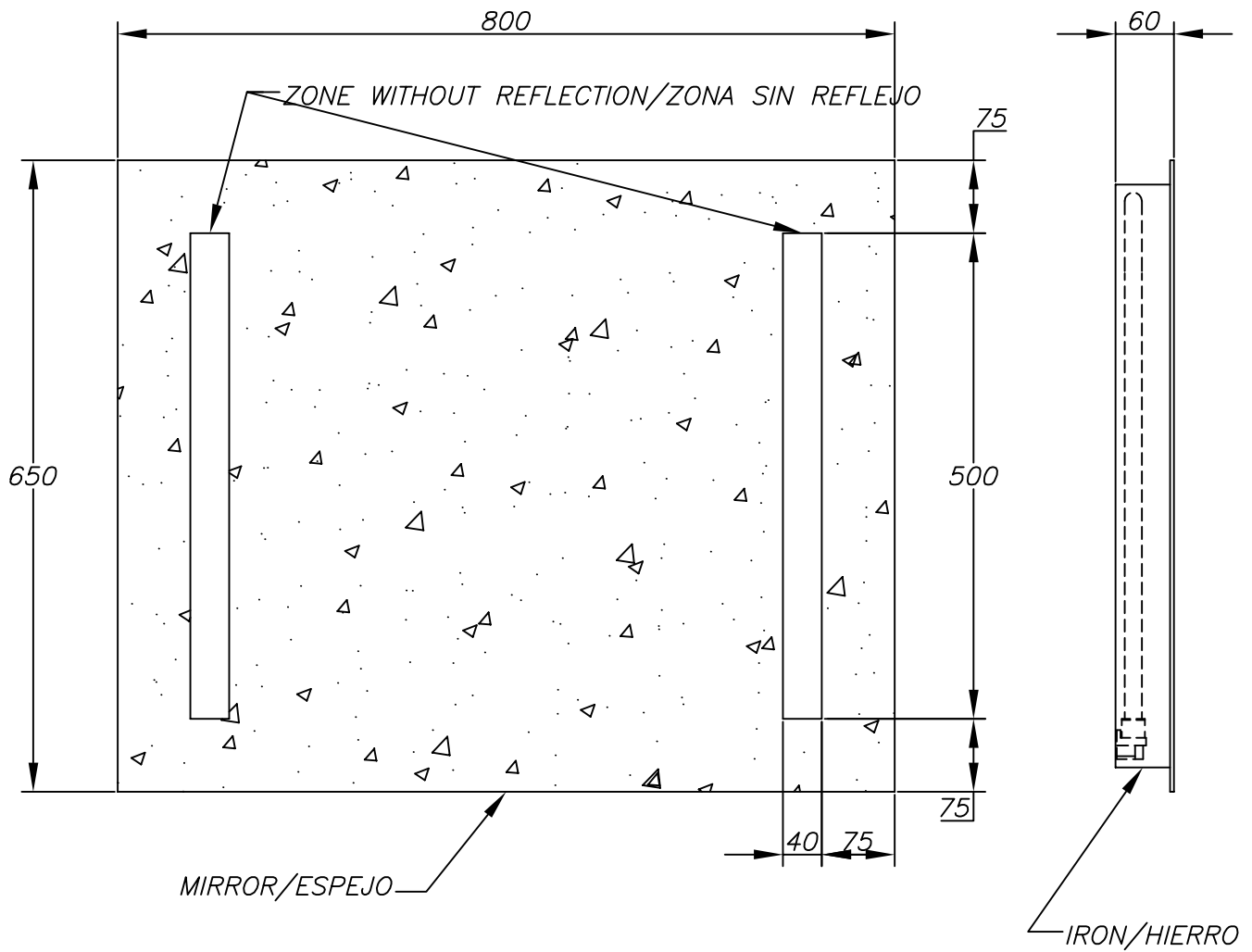
|                  |                                |                   |                                |                |                  |
|------------------|--------------------------------|-------------------|--------------------------------|----------------|------------------|
| <b>Luminaria</b> |                                | <b>Ensayo</b>     |                                | <b>Lámpara</b> |                  |
| Código           | 426-ES                         | Código            | 426-ES                         | Código         | DULUX L 55 W/840 |
| Nombre           | Aplique REFLEX 2x55W 2G11 opal | Nombre            | Aplique REFLEX 2x55W 2G11 opal | Número         | 2                |
| Familia          | - LEDS-C4                      | Fecha             | 26-03-2010                     | Posición       | Universal        |
| Eficiencia       | 16.34%                         | Sist. de Coorden. | C-G                            | Flujo Total    | 9600.00 lm       |
| Valor Máximo     | 719.33 cd                      | Posición          | C=0.00 G=0.00                  |                | Bisimétrico      |

650mm x 800mm

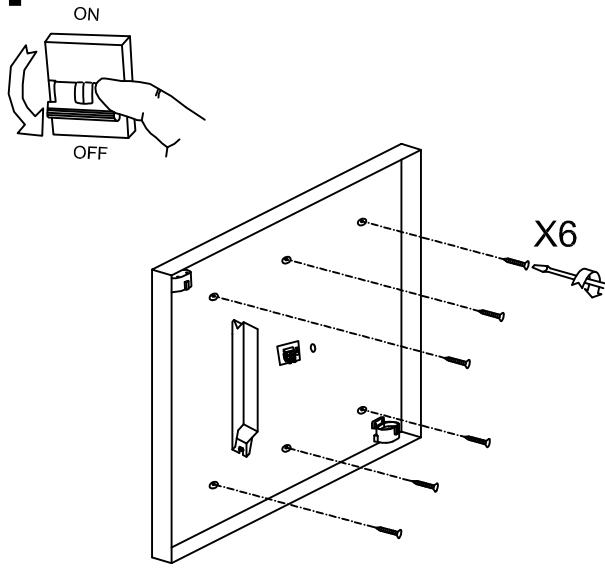
Semiplanos C

180.0 ——— 0.0  
 270.0 ——— 90.0

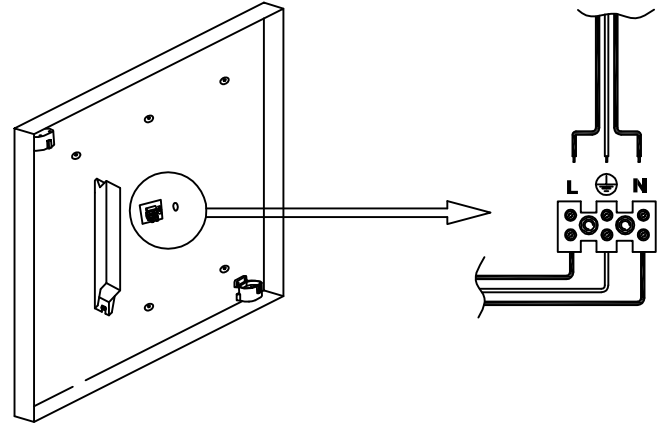




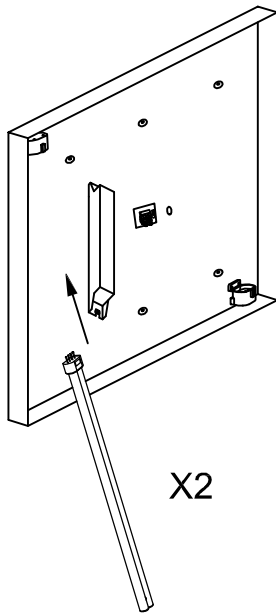
**1**



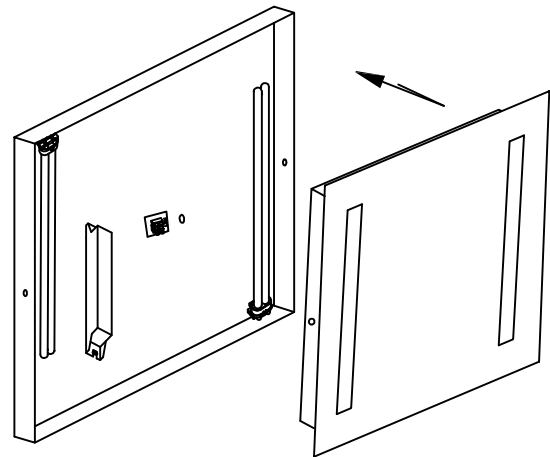
**2**



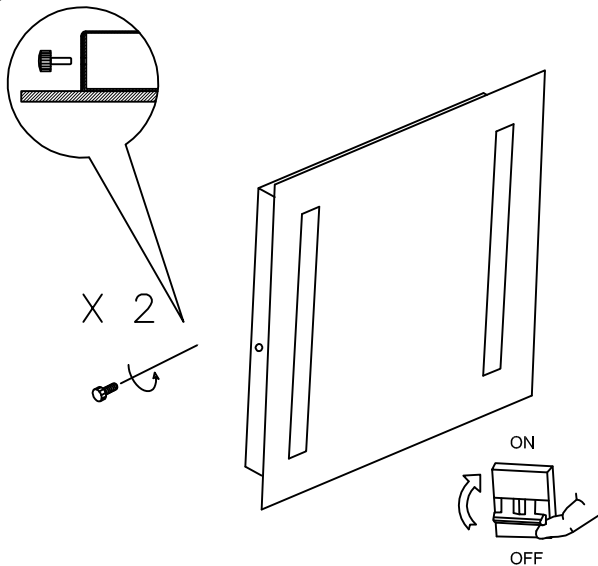
**3**



**4**



**5**



**6**

