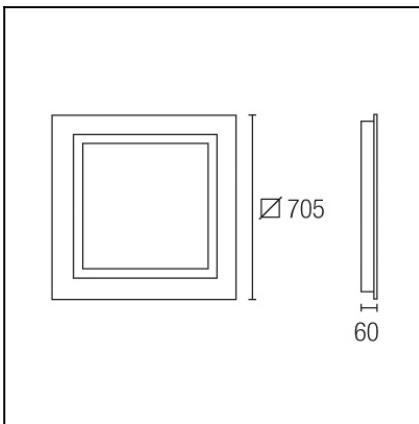


The photograph may not match the reference exactly. Please read the product description to identify the finish.



TECHNICAL CHARACTERISTICS

Type:	Mirror
IP Protection degrees:	IP23
Lampholder:	4 x 2G11
Power (W):	2G11 40W
Bulb included:	4 x 2G11 40W
Voltage / Frequency:	220-240V/50-60Hz
Warranty (Years):	2
Units per box:	1
Net Weight (Kg):	12.135
EAN:	8435111036402,00



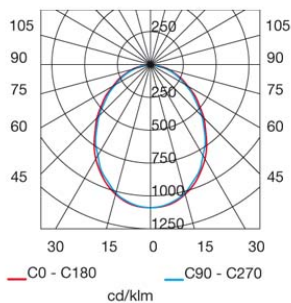
MATERIALS / FINISHES

Structure material: Steel
Mirror

Structure finish: White

GEAR

Gear included: Yes, electronic



$$\eta = 17,26\%$$

Download photometric file .ldt /.ies

Luminaria		Ensayo		Lámpara	
Código	427-ES	Código	427-ES	Código	DULUX L 40 W/840
Nombre	Aplique REFLEX 4x40W 2G11 opal	Nombre	Aplique REFLEX 4x40W 2G11 opal	Número	4
Familia	- LEDS-C4	Fecha	25-03-2010	Posición	Universal
Eficiencia	17.26%	Sist. de Coorden.	C-G	Flujo Total	14000.00 lm
Valor Máximo	1089.96 cd	Posición	C=0.00 G=0.00		Bisimétrico

705mm x 705mm

Semiplanos C

180.0 ——— 0.0
270.0 ——— 90.0

