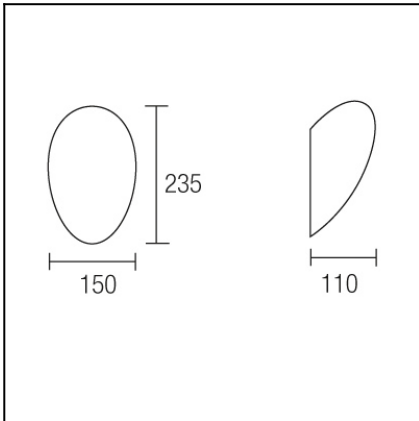


The photograph may not match the reference exactly. Please read the product description to identify the finish.



## TECHNICAL CHARACTERISTICS

Type:	Wall fixture
IP Protection degrees:	IP20
Lampholder:	1 x E27
Power (W):	E27 MAX 60W
Total power consumption (W):	60
Voltage / Frequency:	220-240V/50-60Hz
Warranty (Years):	2
Units per box:	6
Net Weight (Kg):	0.535
EAN:	8435111045862,00



## MATERIALS / FINISHES

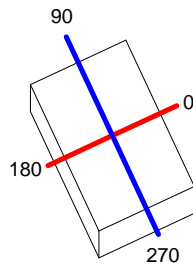
**Structure material:** Steel  
**Structure finish:** White

**Diffuser material:** Glass  
**Diffuser finish:** Opal

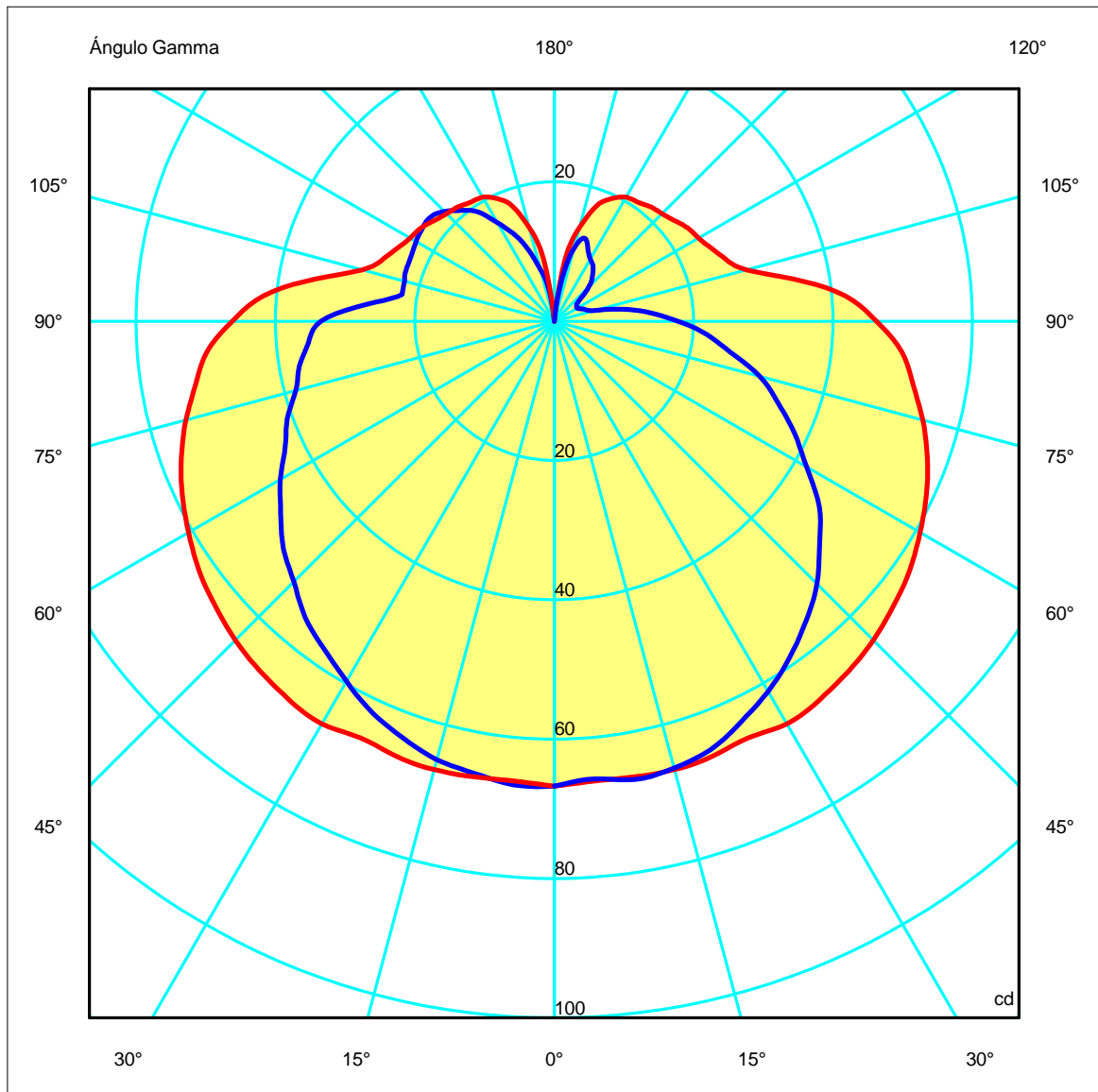
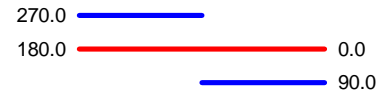
Download photometric file .ldt /.ies

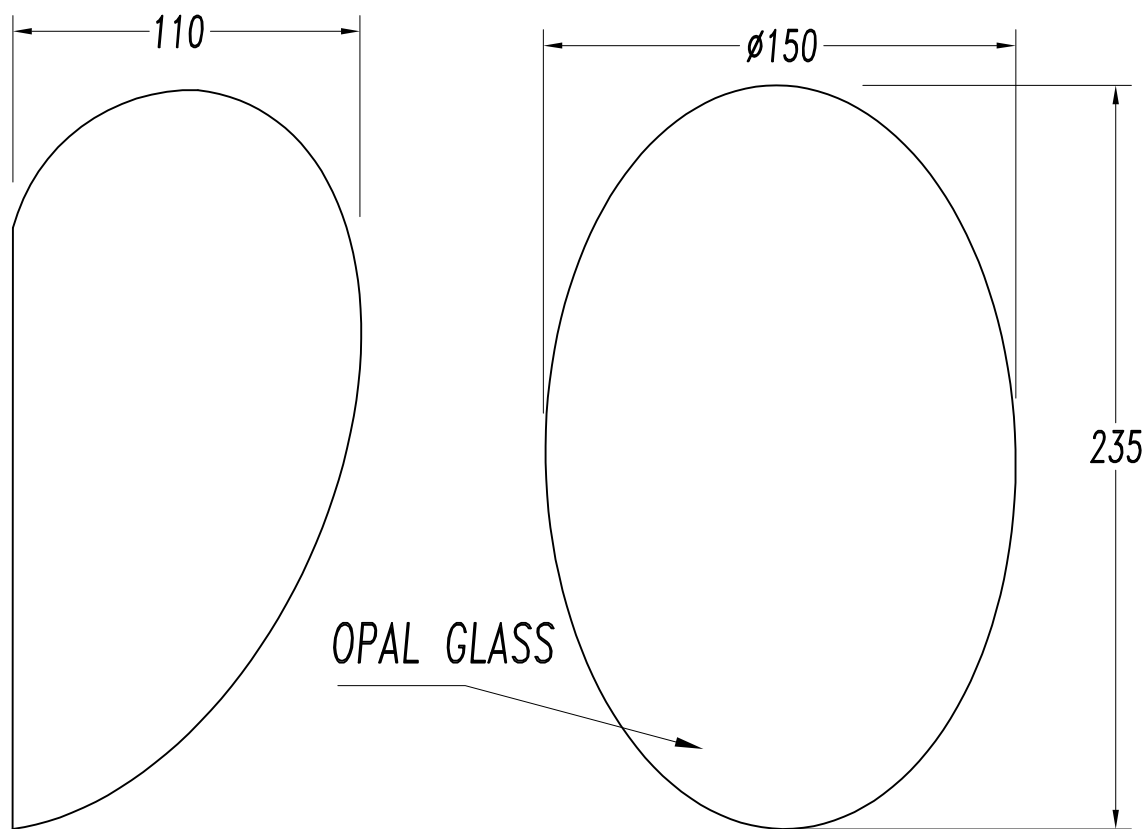
<b>Luminaria</b>		<b>Ensayo</b>		<b>Lámpara</b>	
Código 444-BL		Código 444-BL		Código STANDAR GOC 60W O	
Nombre Aplique 60W incand. E27 opal		Nombre Aplique 60W incand. E27 opal		Número 1	
Familia - LEDS-C4		Fecha 08-03-2010		Posición	
Eficiencia	65.84%	Sist. de Coordin.	C-G	Flujo Total	710.00 lm
Valor Máximo	67.56 cd	Posición	C=15.00 G=15.00	Sim. en los planos 270-90	

230mm x 150mm

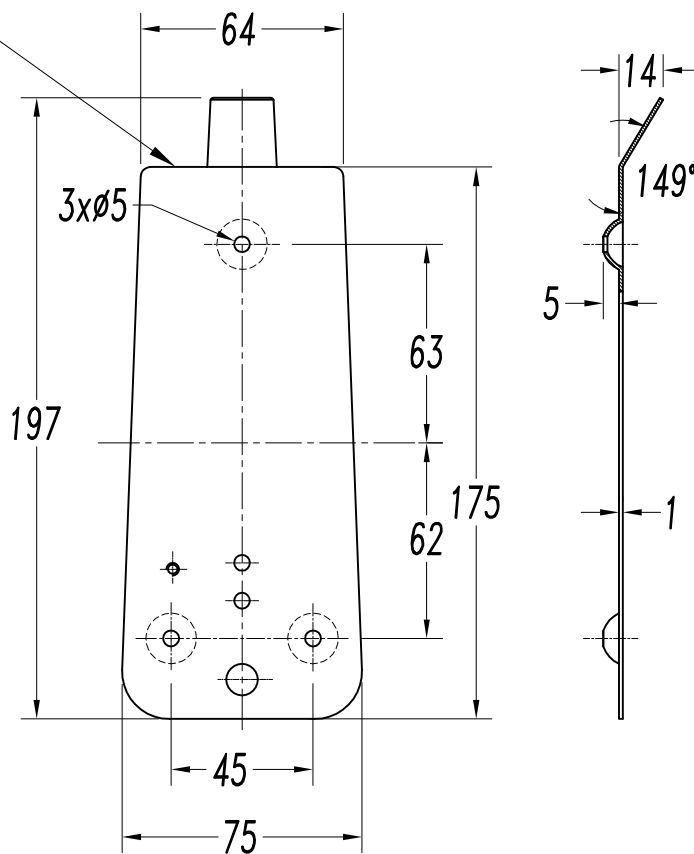


Semiplanos C

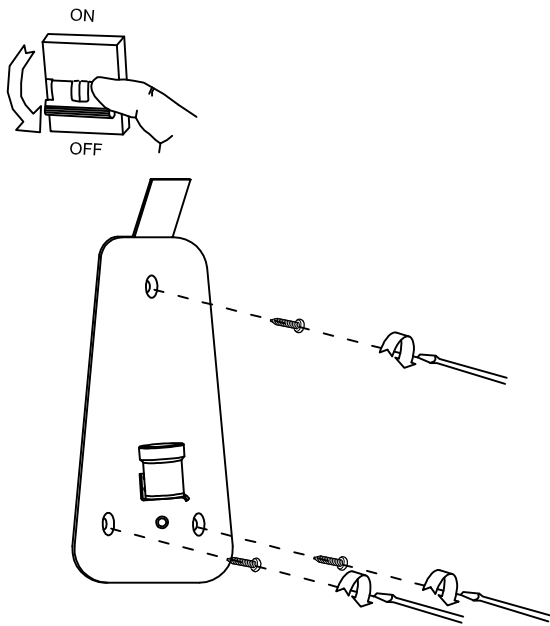




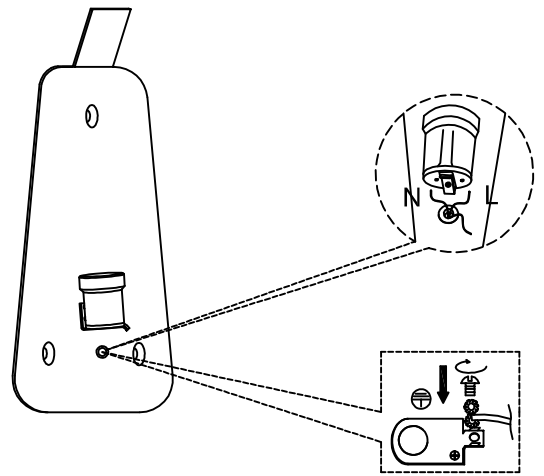
IRON / WHITE



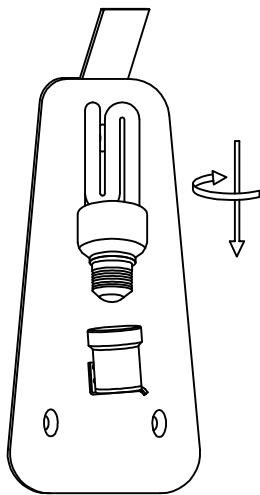
**1**



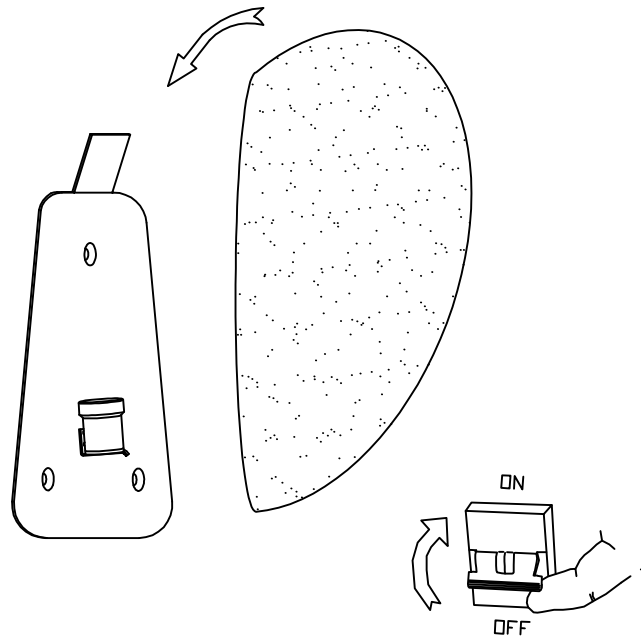
**2**



**3**



**4**



**5**

