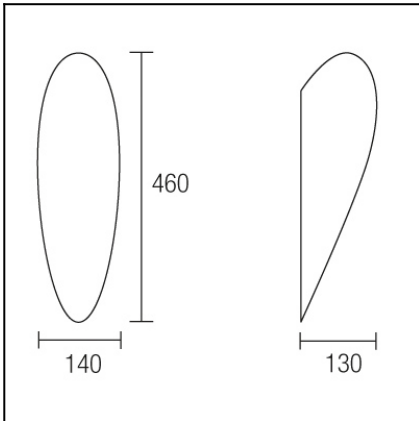


The photograph may not match the reference exactly. Please read the product description to identify the finish.



## TECHNICAL CHARACTERISTICS

Type:	Wall fixture
IP Protection degrees:	IP20
Lampholder:	1 x E27
Power (W):	E27 MAX 100W
Total power consumption (W):	100
Voltage / Frequency:	220-240V/50-60Hz
Warranty (Years):	2
Units per box:	6
Net Weight (Kg):	1.035
EAN:	8435111045879,00



## MATERIALS / FINISHES

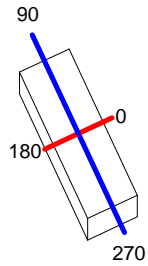
**Structure material:** Steel  
**Structure finish:** White

**Diffuser material:** Glass  
**Diffuser finish:** Opal

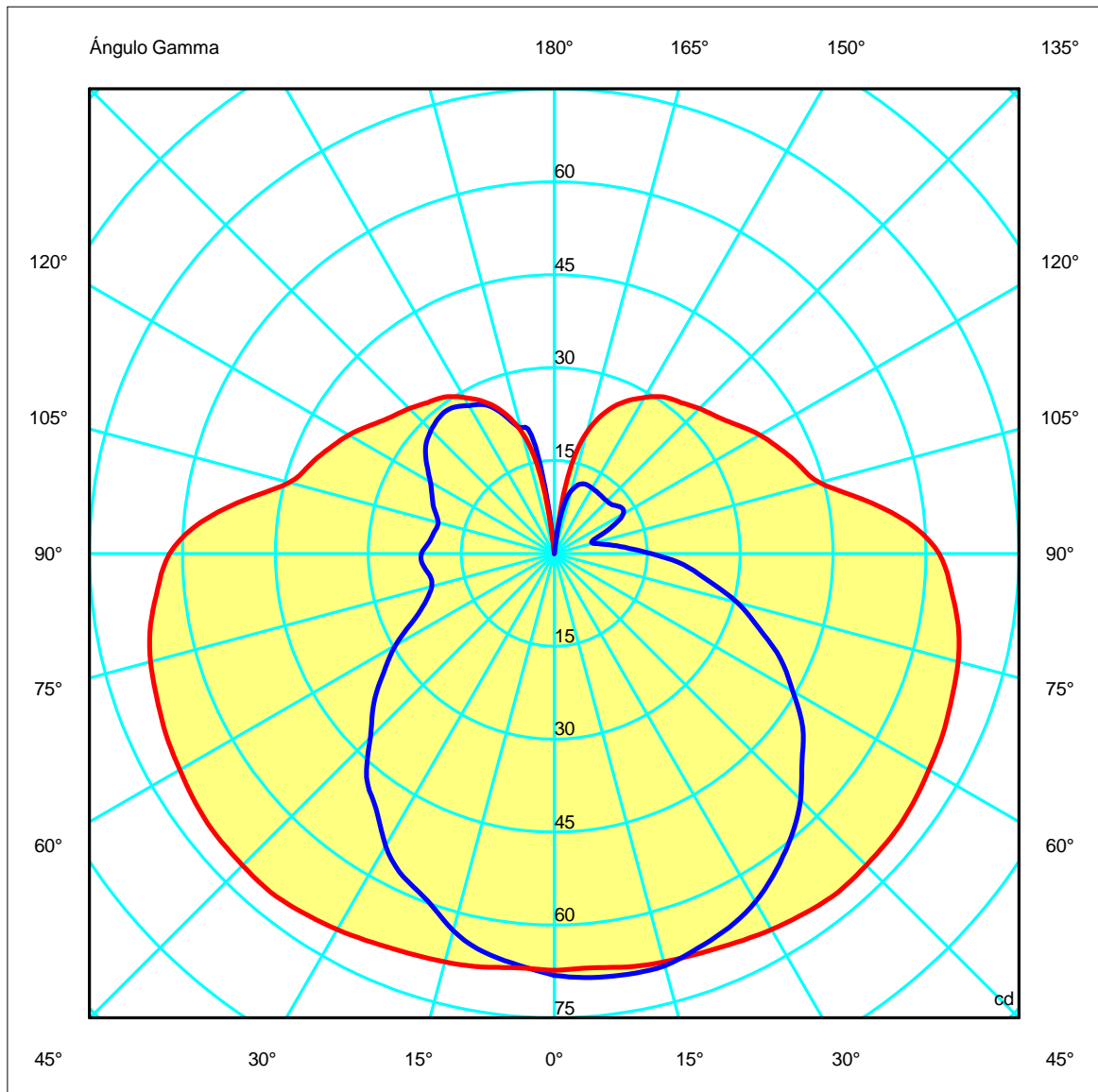
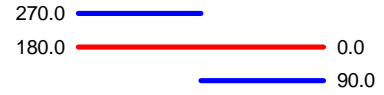
[Download photometric file .ldt /.ies](#)

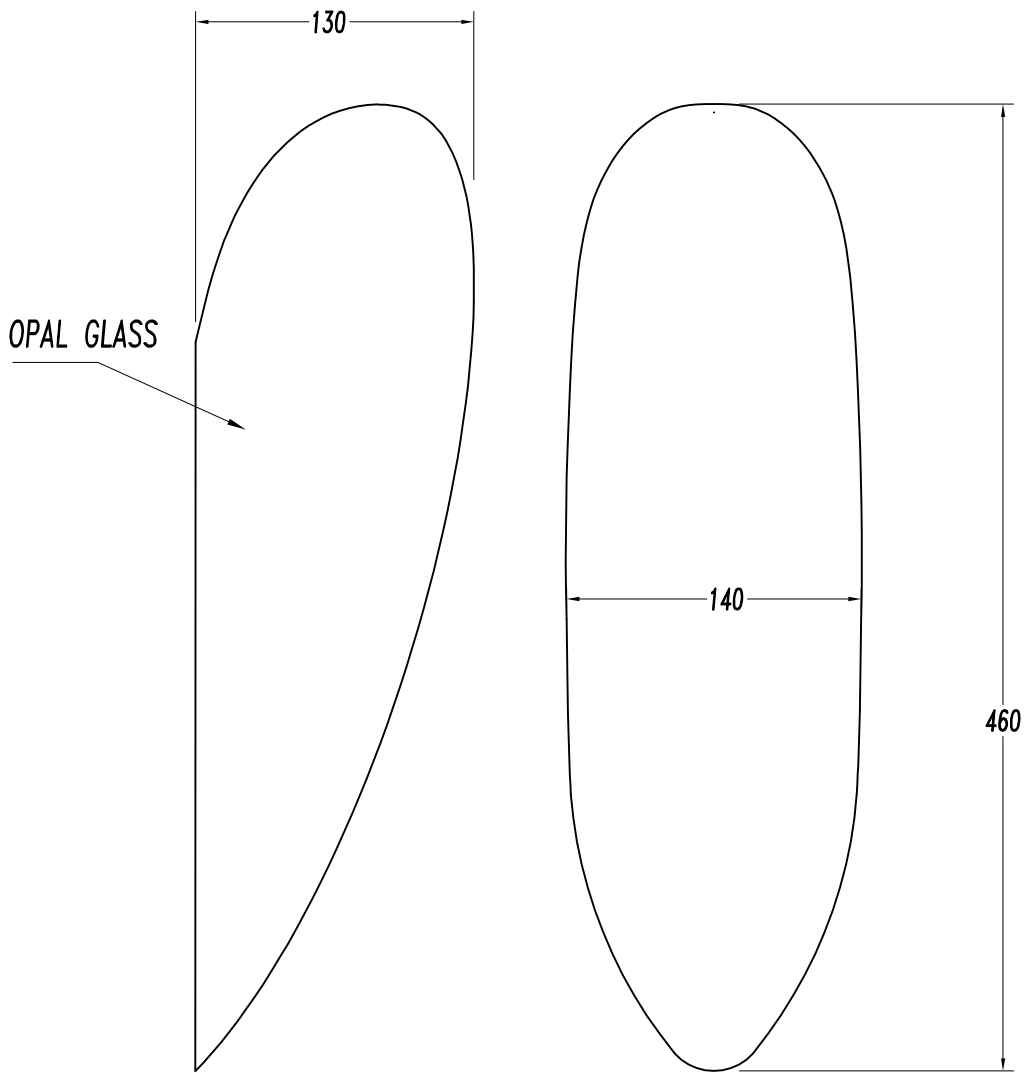
<b>Luminaria</b> Código 445-BL Nombre Aplique 100W incand. E27 opal Familia - LEDS-C4		<b>Ensayo</b> Código 445-BL Nombre Aplique 100W incand. E27 opal Fecha 08-03-2010		<b>Lámpara</b> Código STANDARD GOC 100W Número 1 Posición	
Eficiencia	56.88%	Sist. de Coorden.	C-G	Flujo Total	930.00 lm
Valor Máximo	71.46 cd	Posición	C=15.00 G=35.00	Sim. en los planos	270-90

440mm x 150mm

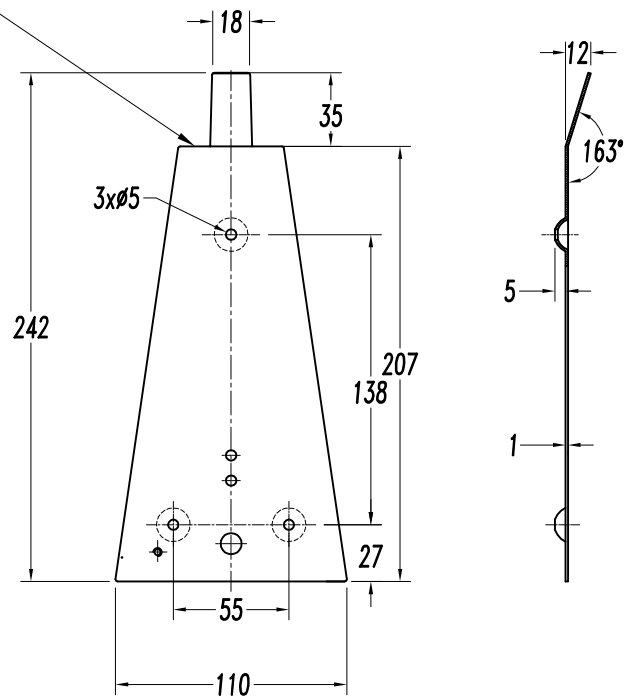


Semiplanos C

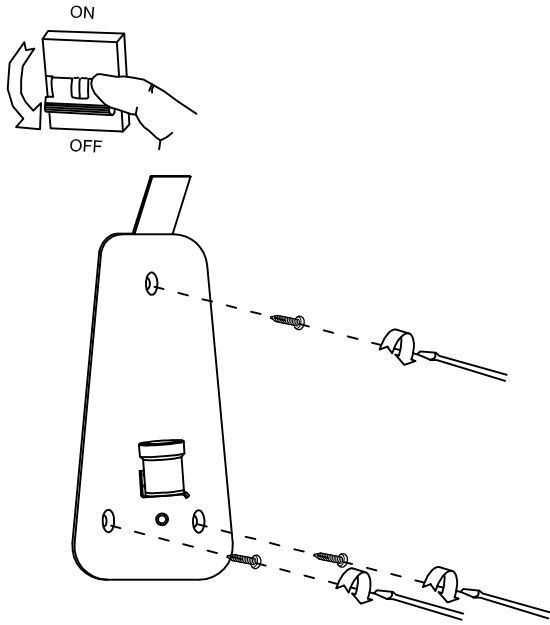




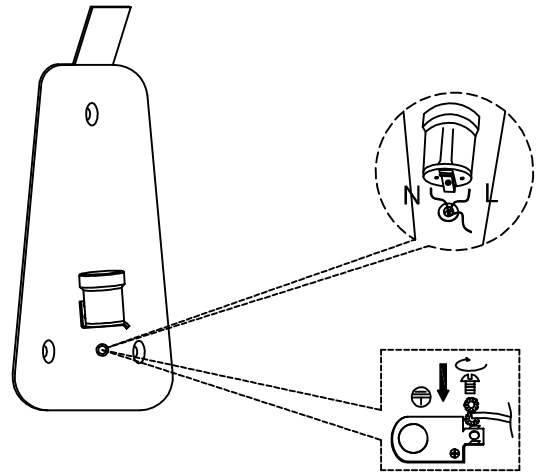
IRON / WHITE



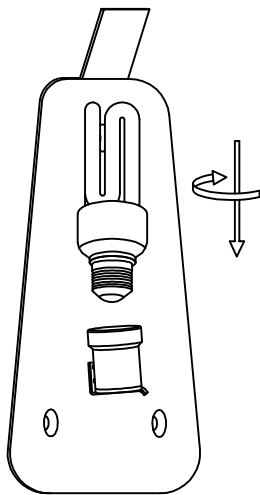
**1**



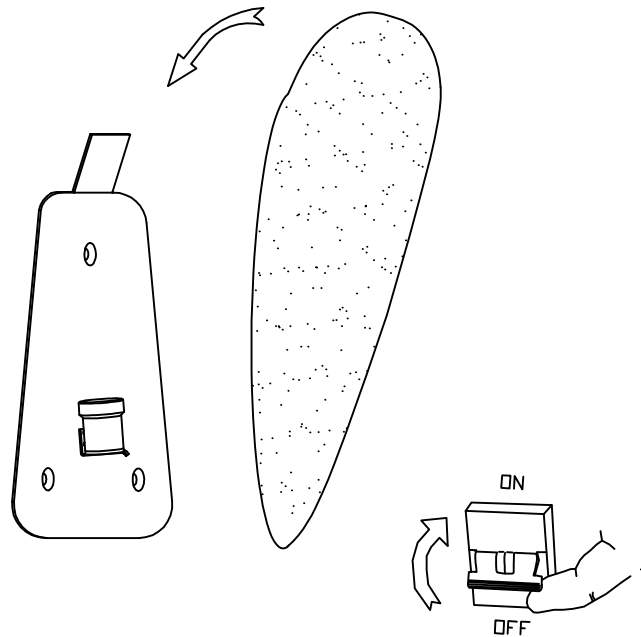
**2**



**3**



**4**



**5**

