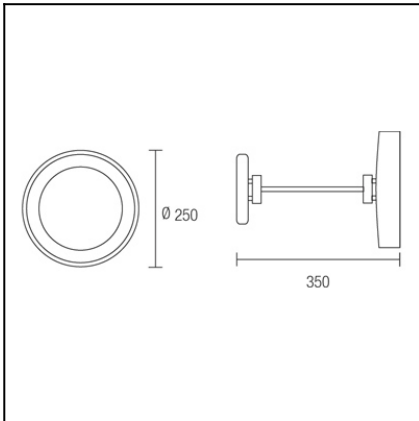




The photograph may not match the reference exactly. Please read the product description to identify the finish.



## TECHNICAL CHARACTERISTICS

Type:	Downlight
Adjustable $\pm 180^\circ$ on the vertical axis	
IP Protection degrees:	IP44
Lampholder:	1 x 2GX13
Power (W):	2GX13 22W
Bulb included:	1 x 2GX13 22W
Voltage / Frequency:	220-240V/50-60Hz
Warranty (Years):	2
Units per box:	6
Net Weight (Kg):	1.685
EAN:	8435111050286,00



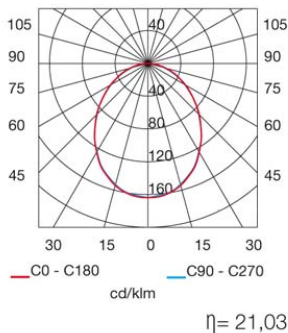
## MATERIALS / FINISHES

**Structure material:** Steel  
Mirror

**Structure finish:** Chrome

## GEAR

Gear included: Yes, electronic



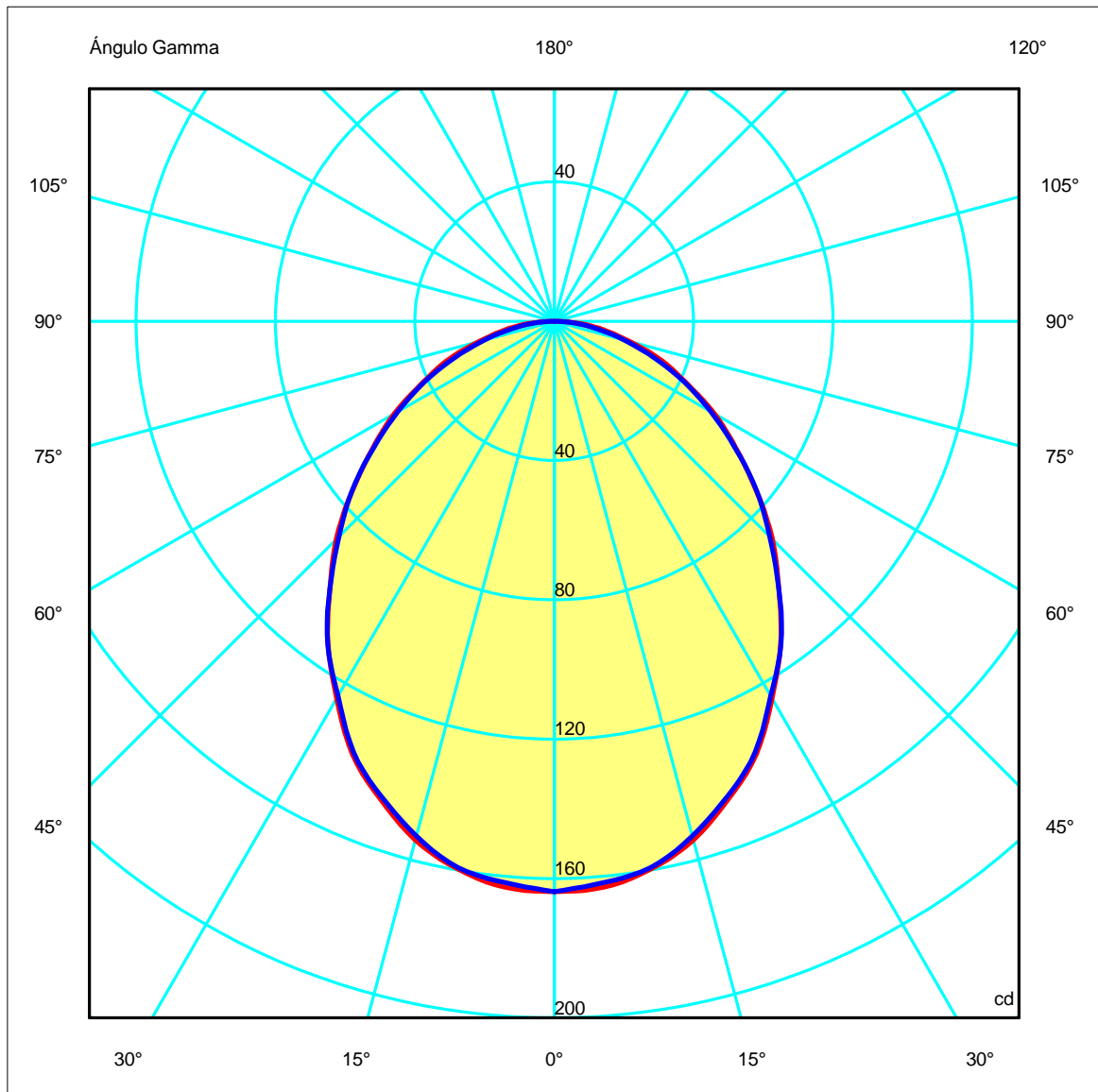
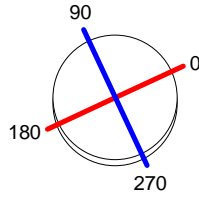
Download photometric file .ldt /.ies

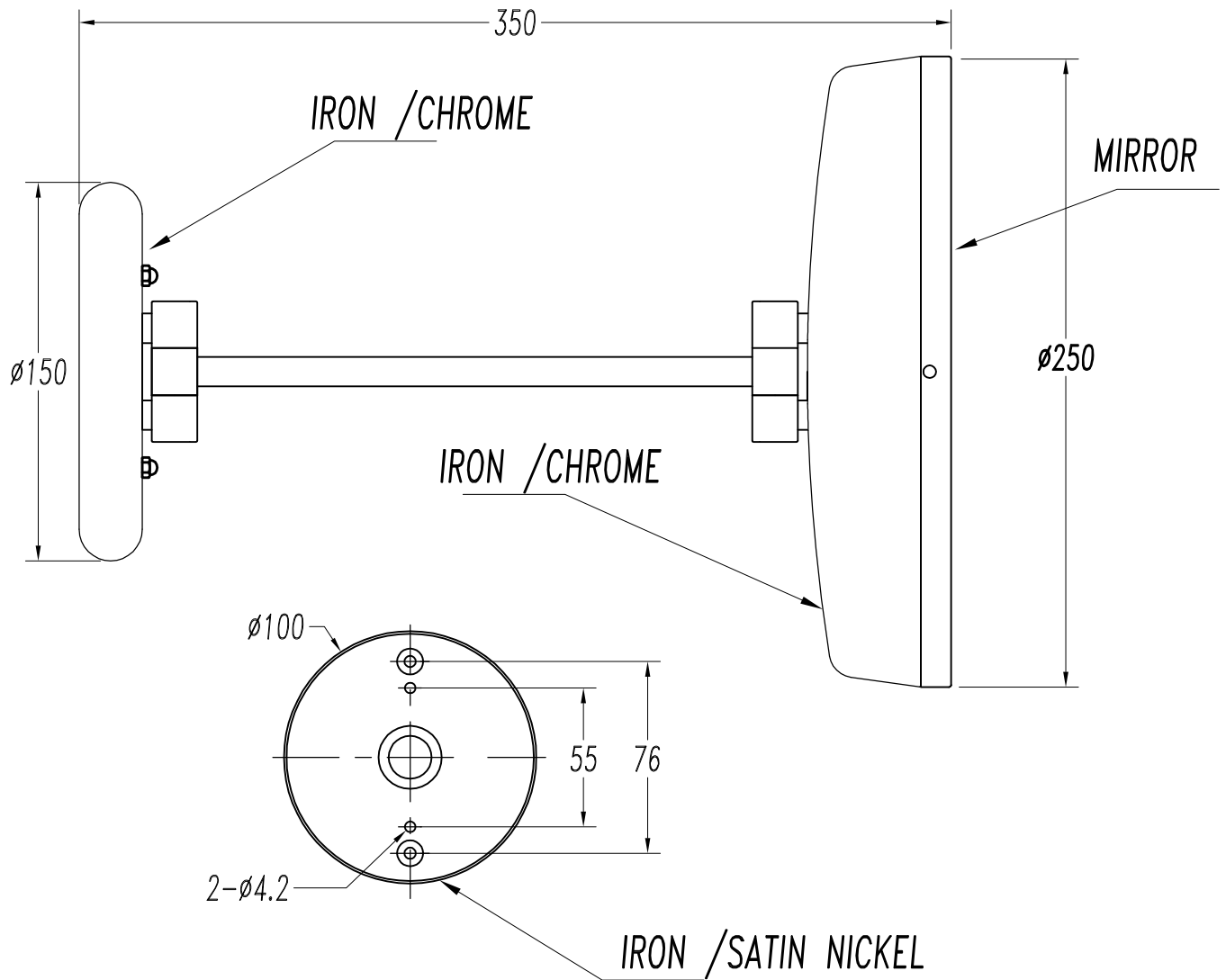
<b>Luminaria</b> Código 476-CR Nombre Aplique 1x22W 2GX13 opal Familia - LEDS-C4		<b>Ensayo</b> Código 476-CR Nombre Aplique 1x22W 2GX13 opal Fecha 10-03-2010		<b>Lámpara</b> Código FC 22 W/840 Número 1 Posición	
Eficiencia	21.03%	Sist. de Coordin.	C-G	Flujo Total	1800.00 lm
Valor Máximo	163.70 cd	Posición	C=0.00 G=0.00	Bisimétrico	

Diam=250mm

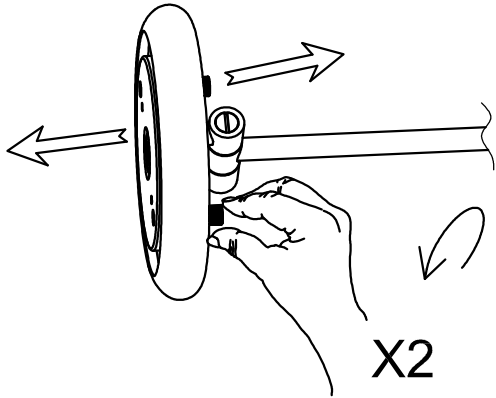
Semiplanos C

180.0 ————— 0.0  
270.0 ————— 90.0

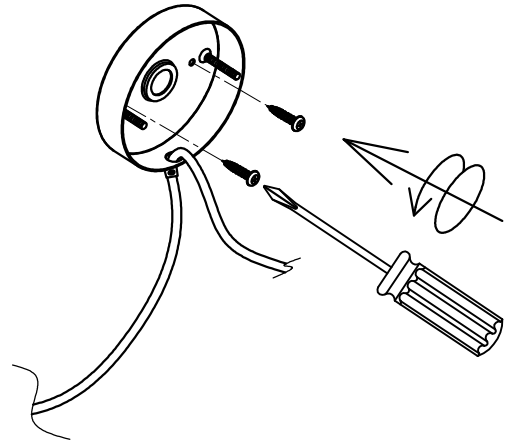




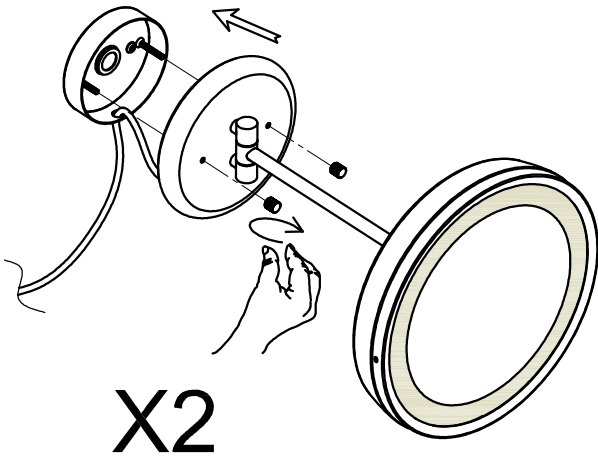
**1**



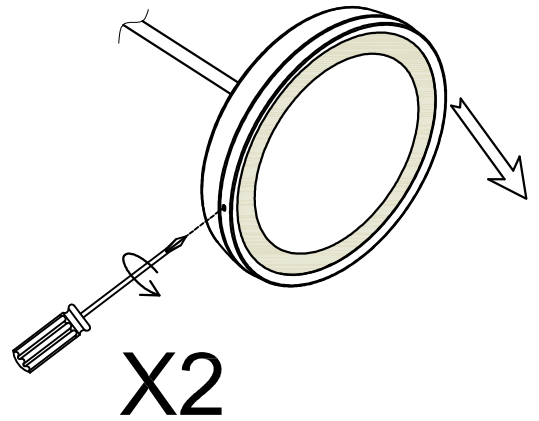
**2**



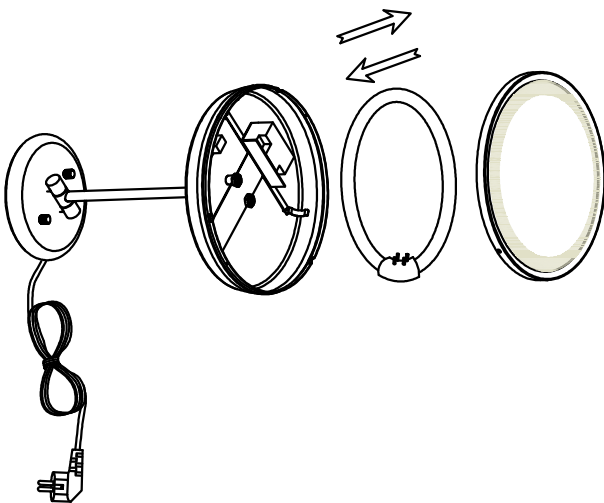
**3**



**4**



**5**



**6**

