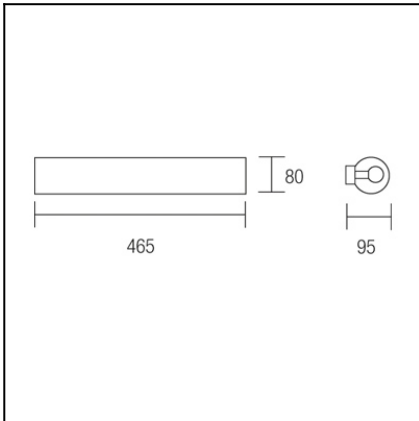




The photograph may not match the reference exactly. Please read the product description to identify the finish.



TECHNICAL CHARACTERISTICS

Type:	Wall fixture
IP Protection degrees:	IP20
Lampholder:	3 x G9
Power (W):	G9 60
Bulb included:	3 x G9 33
Total power consumption (W):	180
Voltage / Frequency:	220-240V/50-60Hz
Warranty (Years):	2
Units per box:	6
Net Weight (Kg):	1
EAN:	8435111051221,00



MATERIALS / FINISHES

Structure material: Satin aluminium

Structure finish: Polished

Diffuser material: Glass

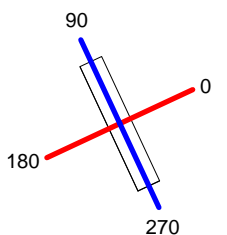
Diffuser finish: Tempered
Transparent

[Download photometric file .ldt / .ies](#)

Luminaire		Measur.		Lamp		
Code	488	Code	488	Code	Halogen	
Name	WALL LIGHT	Name	WALL LIGHT	Number	3	
Line	MAKE UP	Date	15-11-2013	Position		
Efficiency	68.11%	Coordinate system	CG	Total Flux	1260.00 lm	
Maximum value	109.16 cd	Position	C=0.00 G=41.00	Asymmetrical		
Rectangular Luminaire	Length	460 mm	Width	80 mm	Height	1 mm
Rectangular Luminous Area	Length	460 mm	Width	80 mm	Height	0 mm
Horizontal Luminous Area	0.036800 m2	Emitting area on Plane 180°		0.000000 m2		
Emitting area on Plane 0°	0.000000 m2	Emitting area on Plane 270°		0.000000 m2		
Emitting area on Plane 90°	0.000000 m2	Glare area at 76°		0.008903 m2		
Symmetry Type	Asymmetrical	Maximum Gamma Angle		180		
Measurement Distance	0.00	Measurement Flux		1260.00 lm		
Operator		Source voltage				
Temperature	25.00 °C	Source current				
Humidity	60.00 %	Photocell				
Notes						

Line		Code		Luminaire Lamps		Flux [lm]	Pow. [W]	Q.ty
IESNA-1995		Halogen		Name G9-40W - 38.40 W		420.00	38.40	3
C.I.E.	25 52 77 66 68			D DIN 5040				
F UTE	0.45 J + 0.23 T			B NBN				
				B11				
				BZ 8				

460mm x 80mm



C Halfplanes

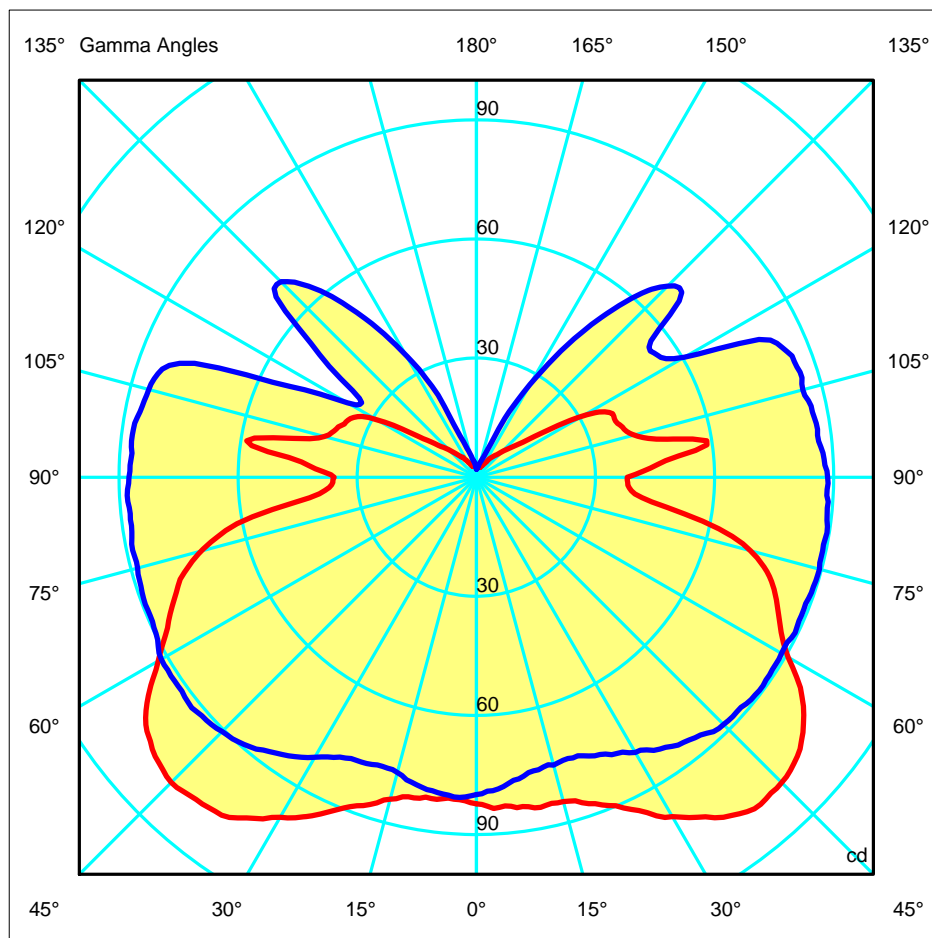
180.0 — 0.0

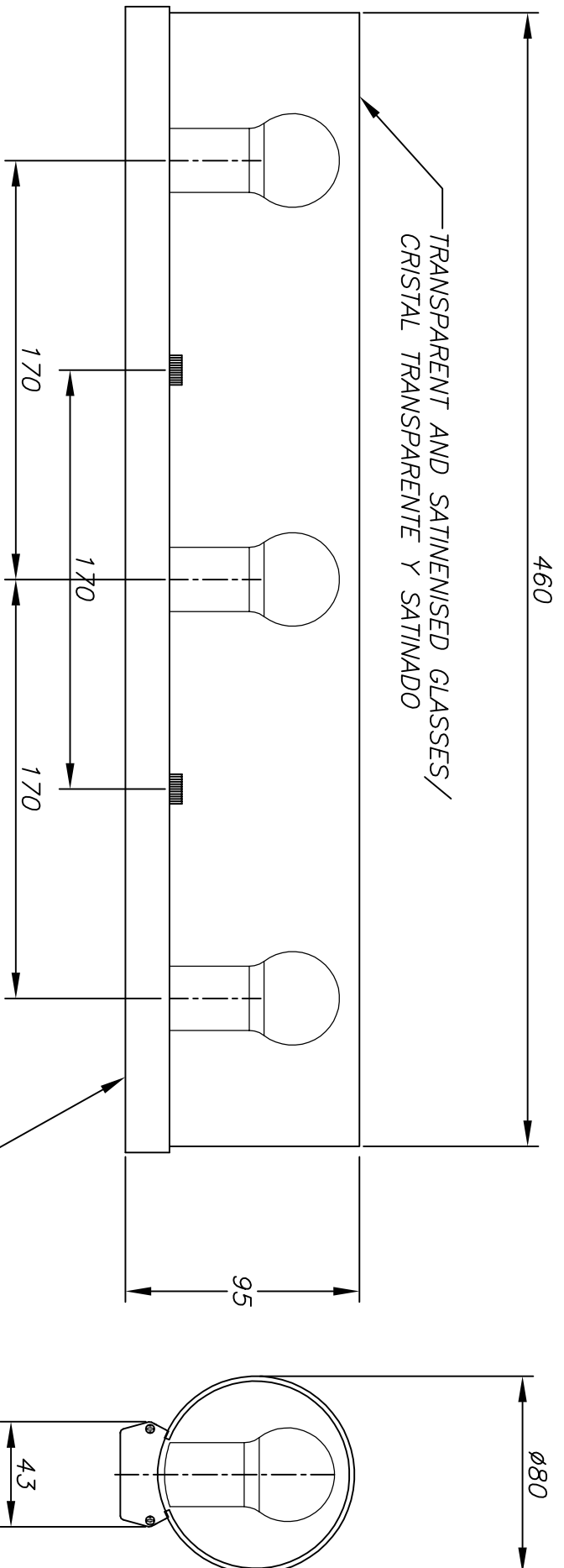
270.0 — 90.0

ULOR 23.11 %

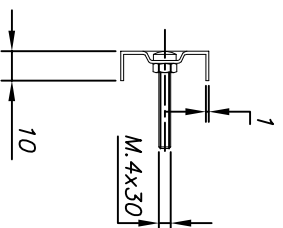
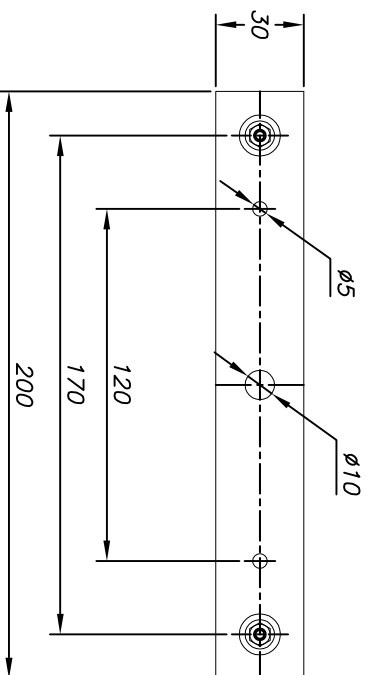
DLOR 45.00 %

RN 33.93 %





SATIN ALUMINIUM /
ALUMINIO SATINADO



LEDS

488-AL/489-AL

IMC 488

