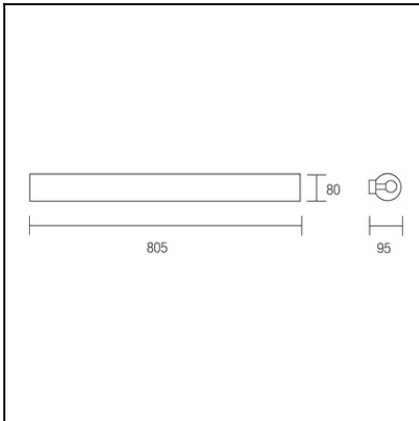




The photograph may not match the reference exactly. Please read the product description to identify the finish.



## TECHNICAL CHARACTERISTICS

Type:	Wall fixture
IP Protection degrees:	IP20
Lampholder:	5 x G9
Power (W):	G9 60
Bulb included:	5 x G9 33
Total power consumption (W):	300
Voltage / Frequency:	220-240V/50-60Hz
Warranty (Years):	2
Units per box:	4
Net Weight (Kg):	1.73
EAN:	8435111051238,00



## MATERIALS / FINISHES

**Structure material:** Satin aluminium

**Structure finish:** Polished

**Diffuser material:** Glass

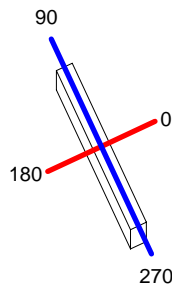
**Diffuser finish:** Tempered  
Transparent

[Download photometric file .ldt /.ies](#)

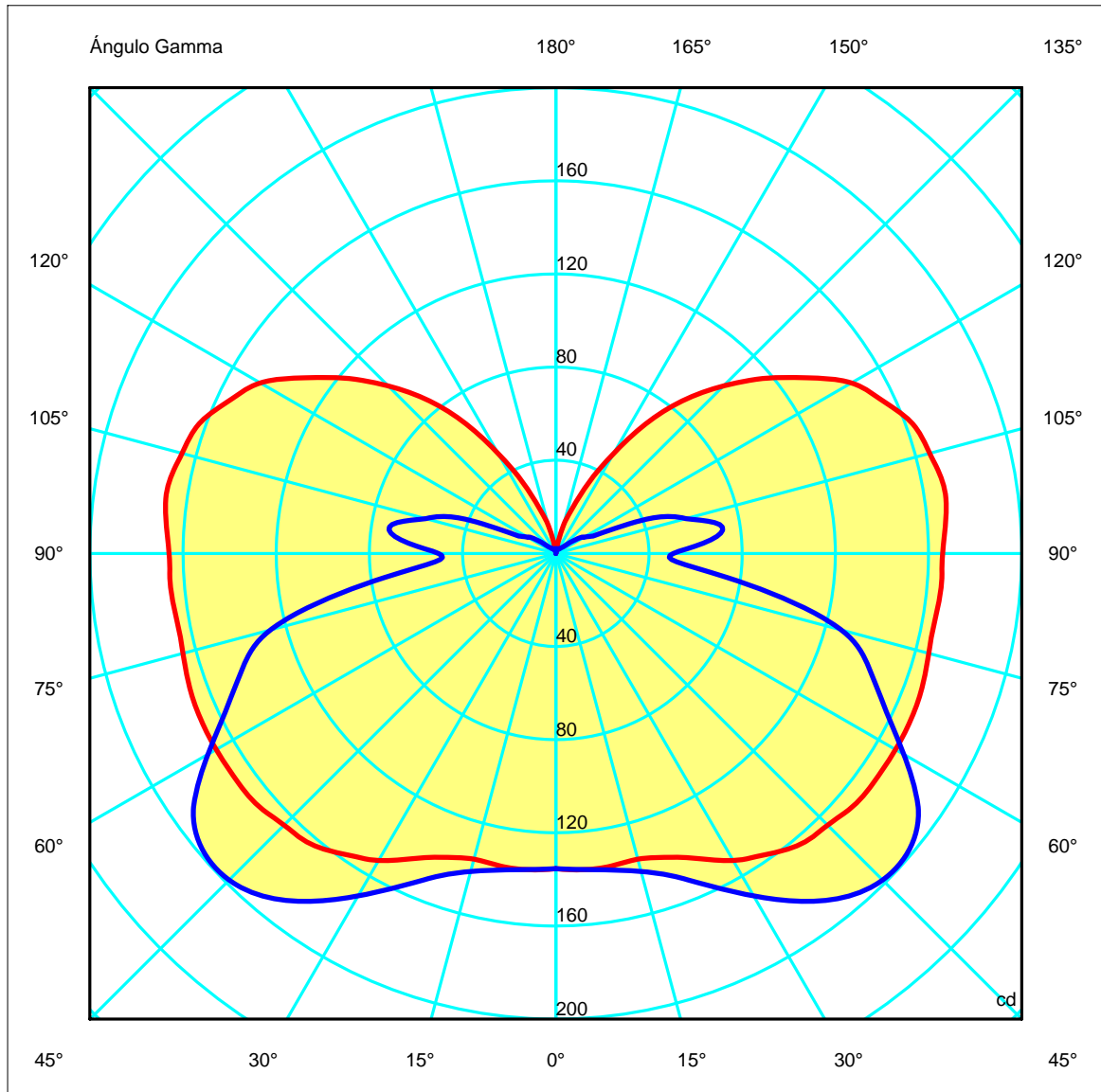
<b>Luminaria</b>		<b>Ensayo</b>		<b>Lámpara</b>	
Código	489-AL	Código	489-AL	Código	65940
Nombre	Aplique MAKE UP 5x40W halog G9	Nombre	Aplique MAKE UP 5x40W halog G9	Número	5
Familia	- LEDS-C4	Fecha	18-03-2010	Posición	Universal
Eficiencia	83.93%	Sist. de Coordin.	C-G	Flujo Total	2100.00 lm
Valor Máximo	199.62 cd	Posición	C=75.00 G=50.00	Bisimétrico	

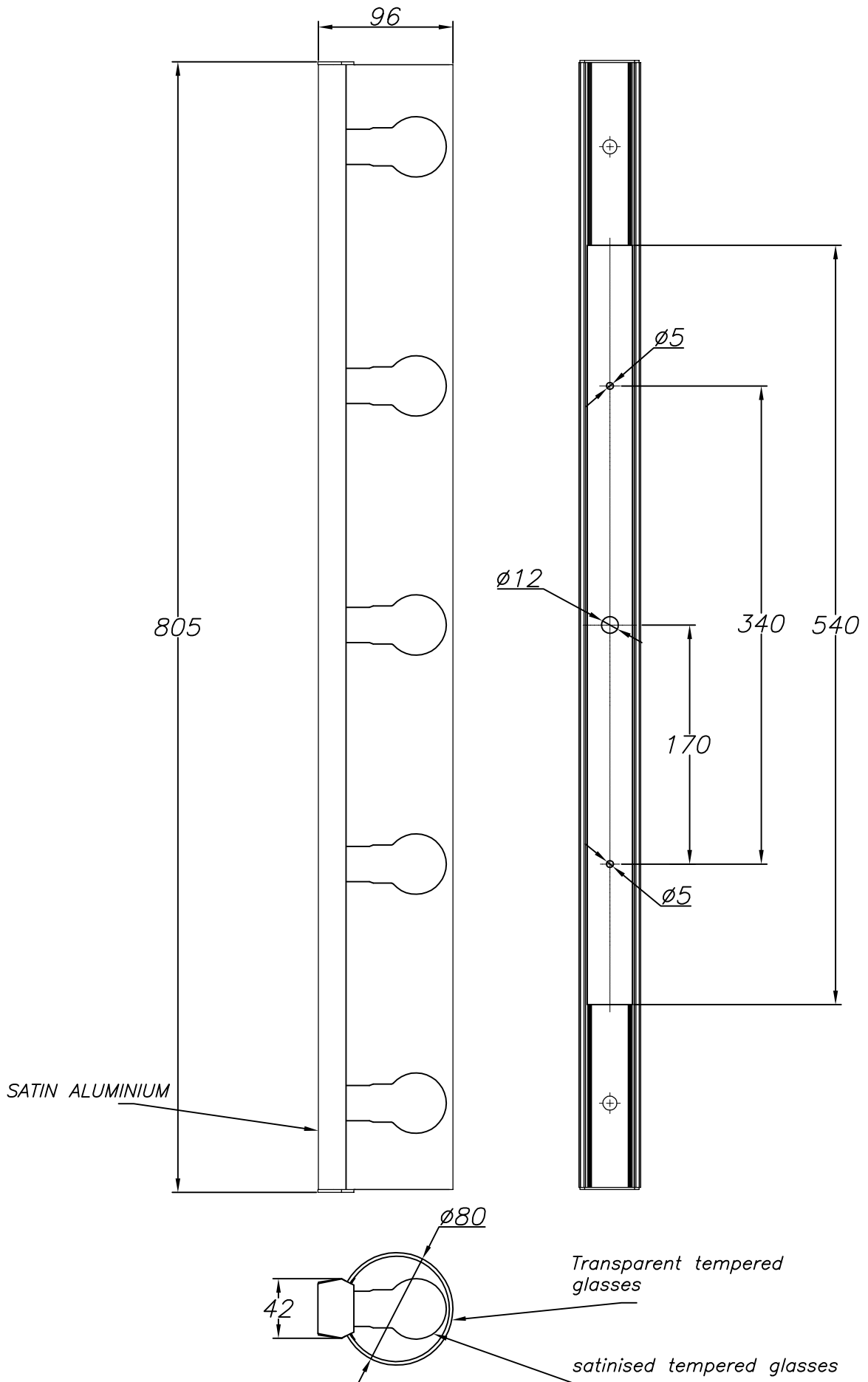
800mm x 80mm

Semiplanos C



180.0 ——— 0.0  
270.0 ——— 90.0





**LEDS**

**488-AL/489-AL**

**IMC 488**

