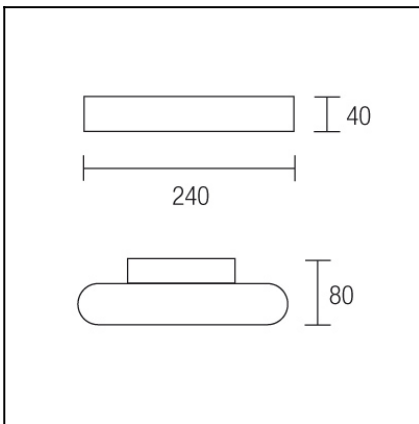


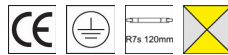


The photograph may not match the reference exactly. Please read the product description to identify the finish.



TECHNICAL CHARACTERISTICS

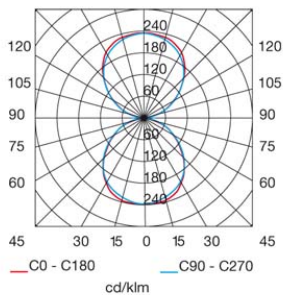
Type:	Wall fixture
Lampholder:	1 x R7s
Power (W):	R7s MAX 150W
Bulb included:	1 x R7s 120W
Total power consumption (W):	150
Voltage / Frequency:	220-240V/50-60Hz
Warranty (Years):	2
Units per box:	6
Net Weight (Kg):	0.595
EAN:	8435111051269,00



MATERIALS / FINISHES

Structure material: Steel
Structure finish: Chrome

Diffuser material: Glass
Diffuser finish: Satin

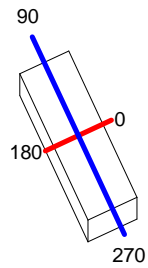


$\eta=59,09\%$

Download photometric file .ldt / .ies

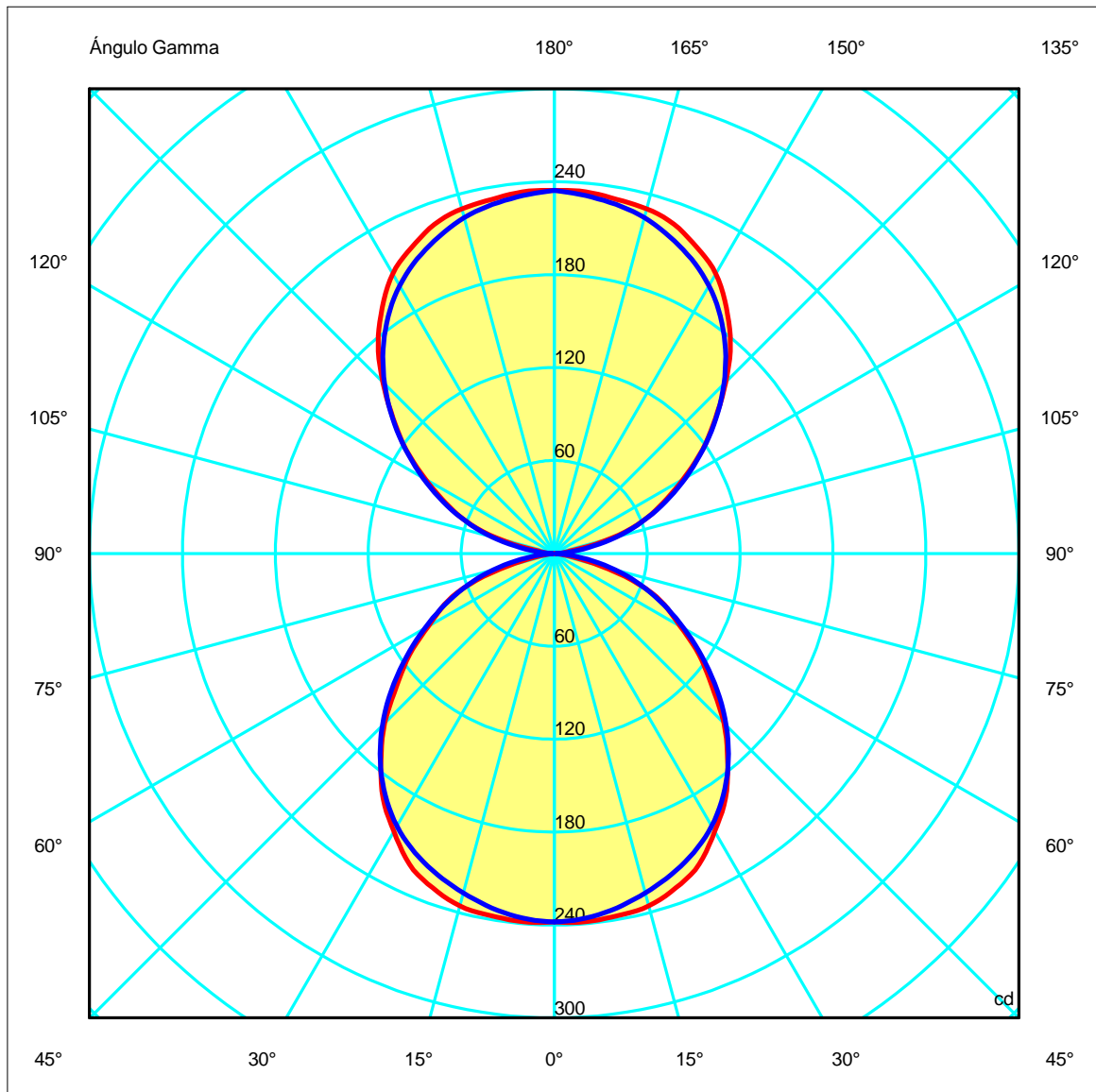
Luminaria Código 492-CR Nombre Aplique HALF 150W R7s opal Familia - LEDS-C4		Ensayo Código 492-CR Nombre Aplique HALF 150W R7s opal Fecha 18-03-2010		Lámpara Código 150T3 Q/CL/P 230V SM Número 1 Posición	
Eficiencia	59.09%	Sist. de Coordin.	C-G	Flujo Total	2250.00 lm
Valor Máximo	238.63 cd	Posición	C=0.00 G=5.00	Bisimétrico	

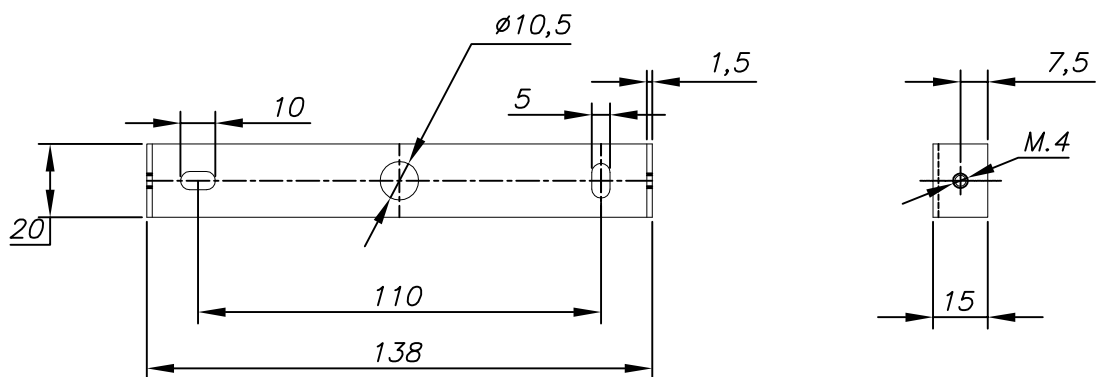
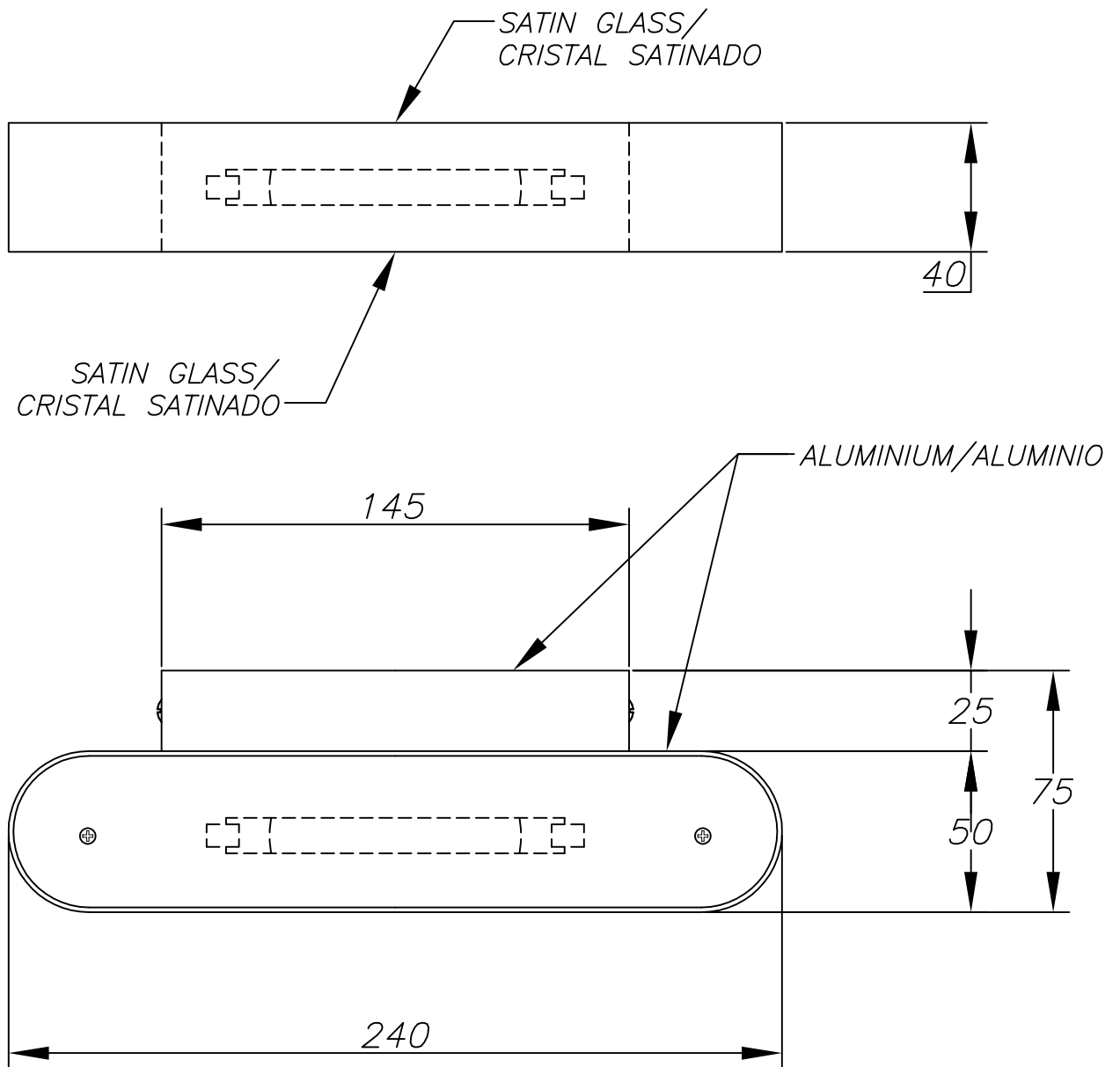
240mm x 80mm



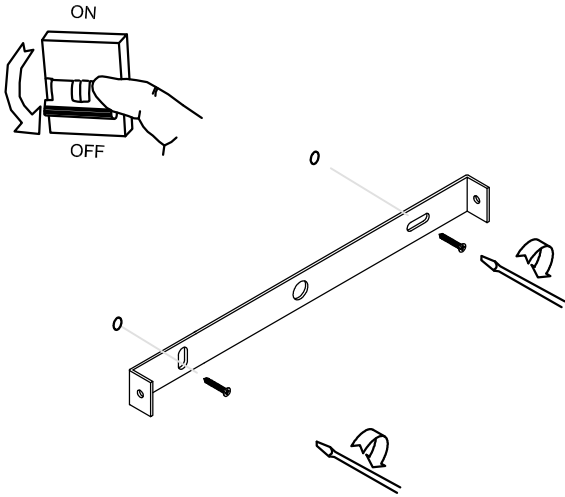
Semiplanos C

180.0 ——— 0.0
270.0 ——— 90.0

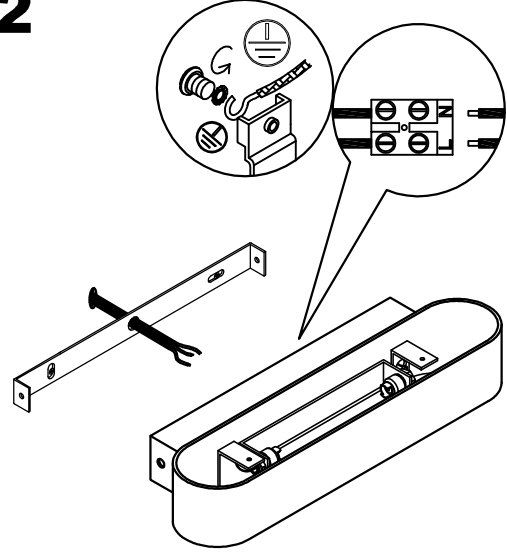




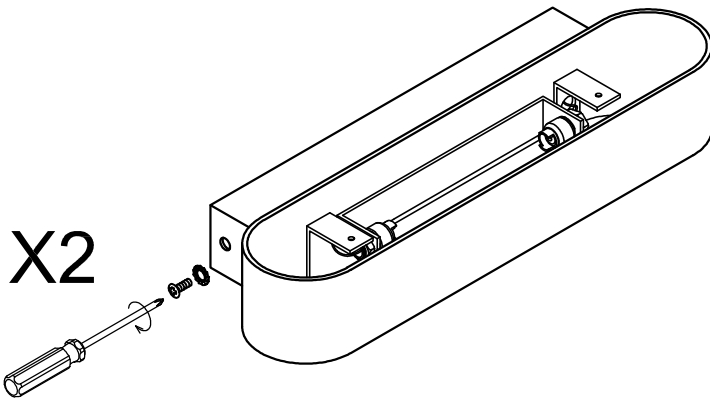
1



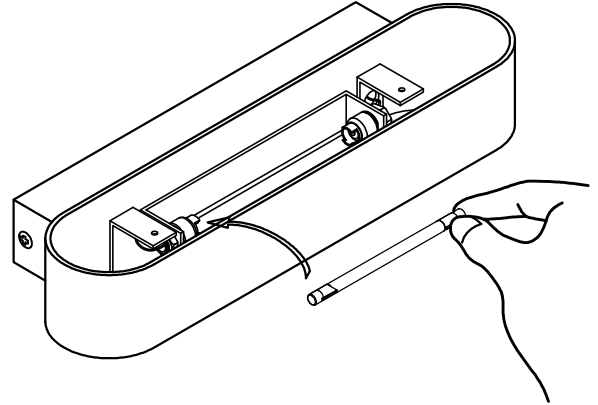
2



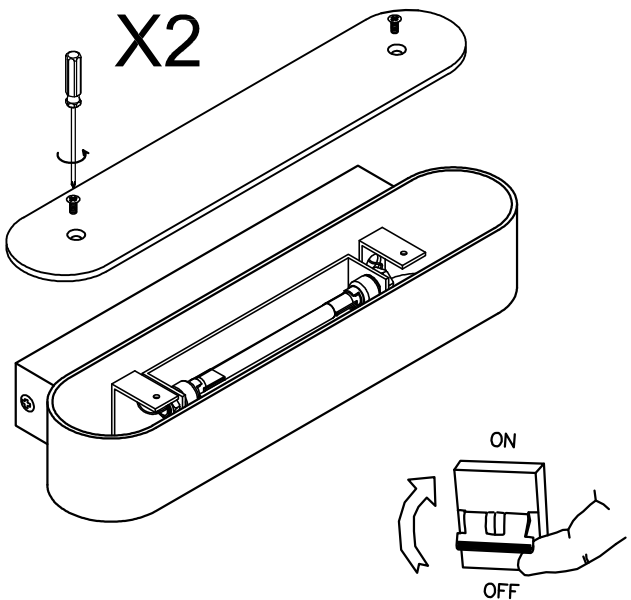
3



4



5



6

