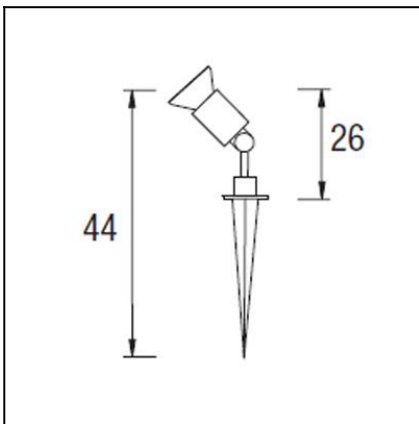




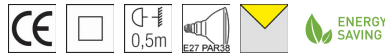
The photograph may not match the reference exactly. Please read the product description to identify the finish.



Download photometric file .ldt /.ies

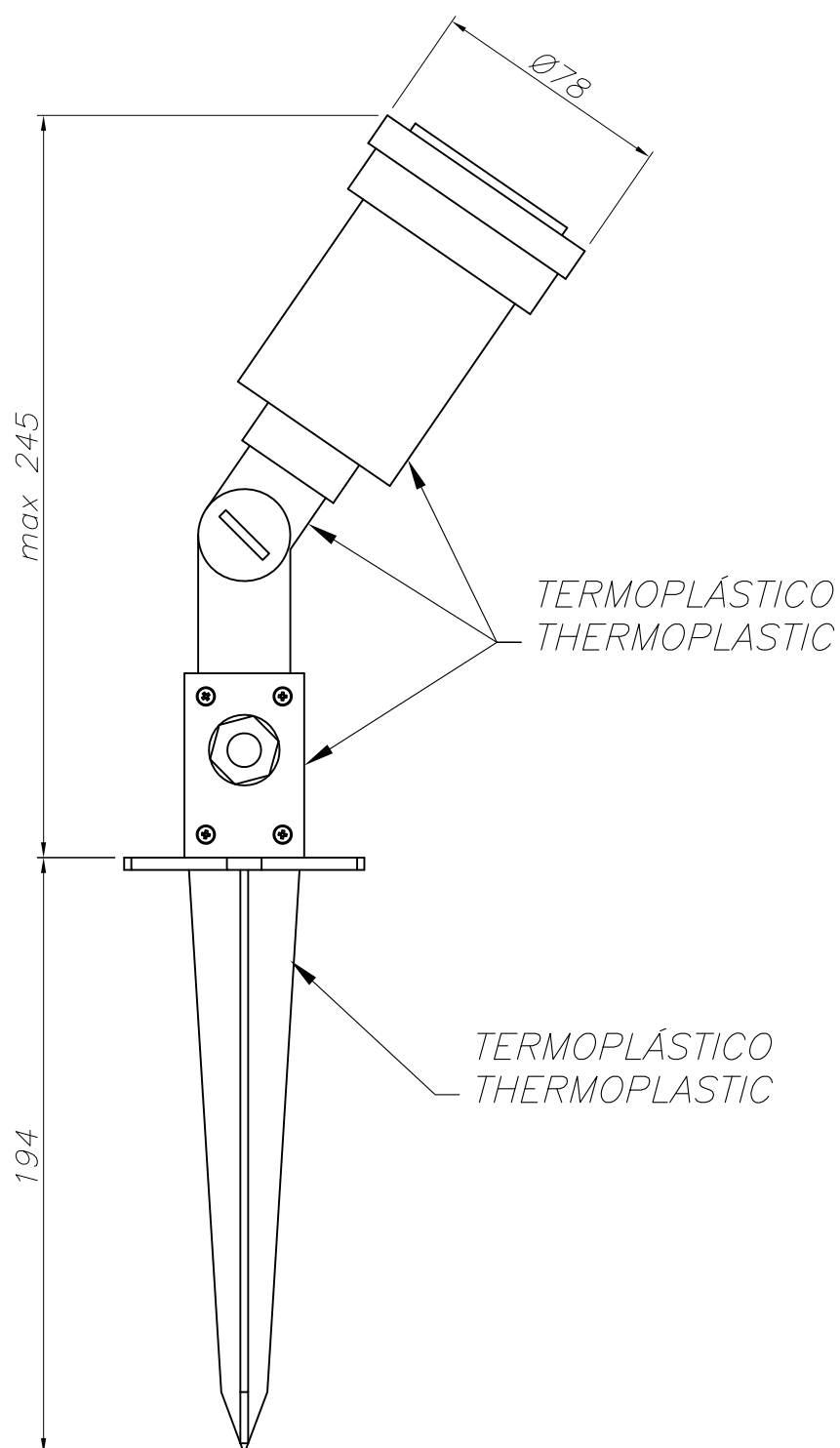
### TECHNICAL CHARACTERISTICS

Type:	Focus
Adjustable $\pm 90^\circ$ on the horizontal axis.	
IP Protection degrees:	IP44
Lampholder:	1 x E27/PAR-38
Power (W):	E27/PAR-38 MAX 100W
Total power consumption (W):	100
Voltage / Frequency:	220-240V/50-60Hz
Warranty (Years):	2
Units per box:	18
Net Weight (Kg):	0.415
EAN:	8435071402385



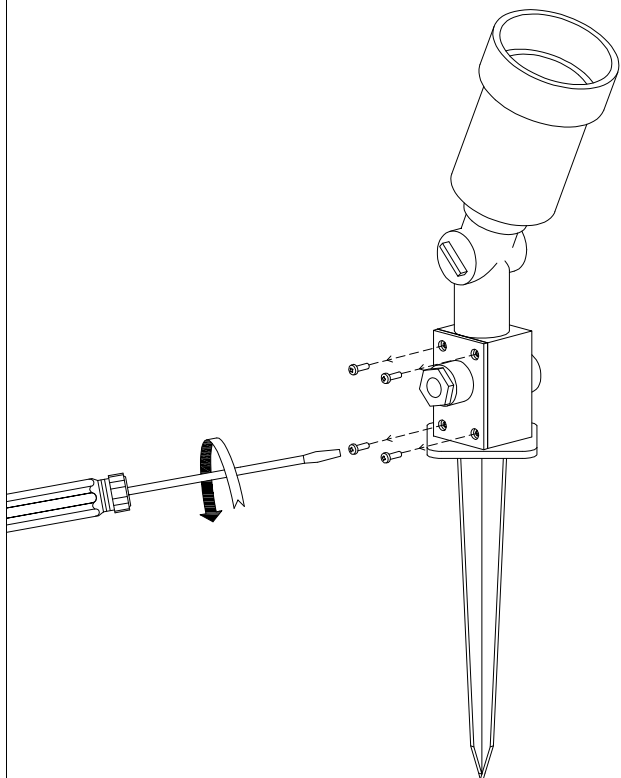
### MATERIALS / FINISHES

**Structure material:** Technopolymer  
**Structure finish:** Black

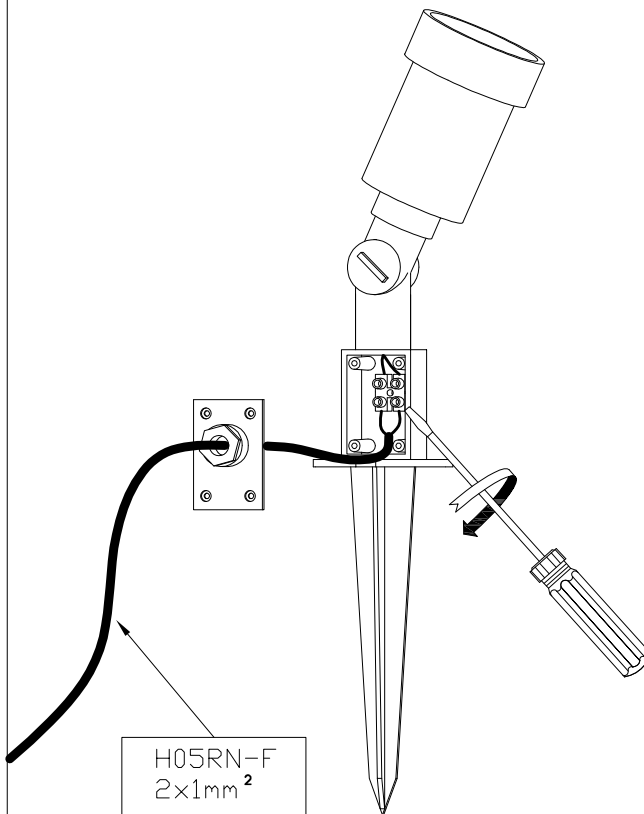


PLANTILLA DE INSTALACIÓN  
INSTALLATION TEMPLATE

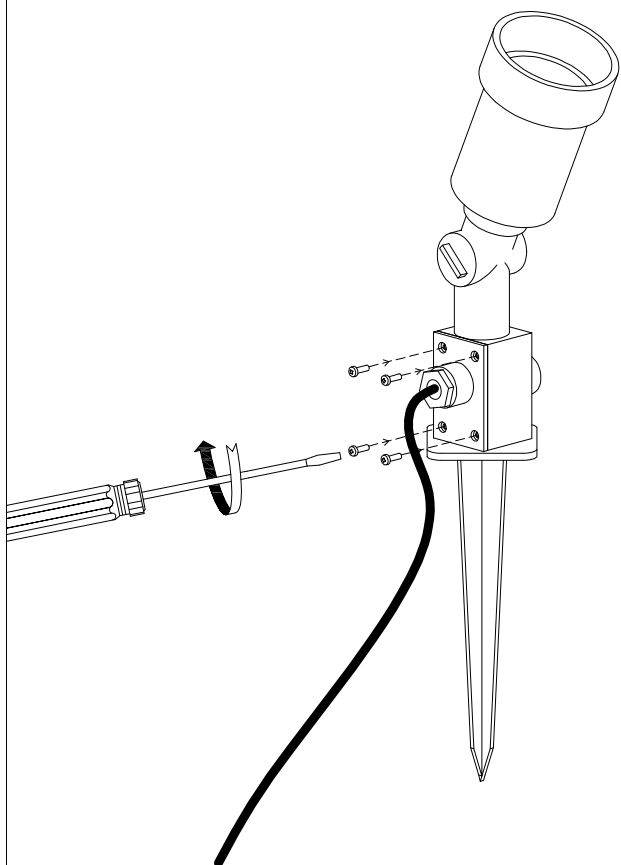
①



②



③



④

