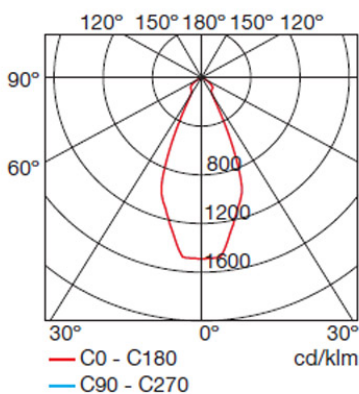
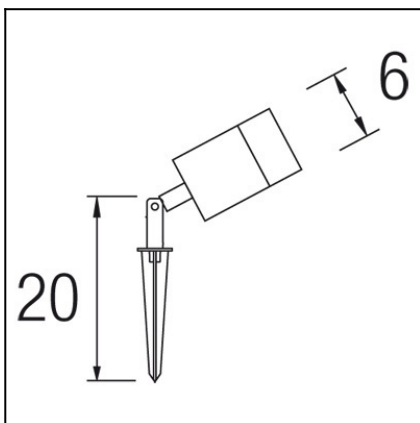




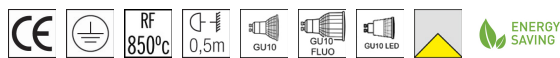
The photograph may not match the reference exactly. Please read the product description to identify the finish.



Download photometric file .ldt / .ies

### TECHNICAL CHARACTERISTICS

Type:	Spotlight
Adjustable $\pm 90^\circ$ on the horizontal axis.	
IP Protection degrees:	IP44
Lampholder:	1 x GU10 1 x GU10 1 x GU10
Power (W):	GU10 50 W GU10 14 W GU10 5 W
Bulb included:	1 x GU10 50 W 1 x GU10 1 x GU10
Voltage / Frequency:	220-240V/50-60Hz
Warranty (Years):	2
Units per box:	8
Net Weight (Kg):	0.8
EAN:	8435111044773



### MATERIALS / FINISHES

**Structure material:** Injected aluminium

**Diffuser material:** Tempered glass

**Structure finish:** Grey

**Diffuser finish:** Transparent