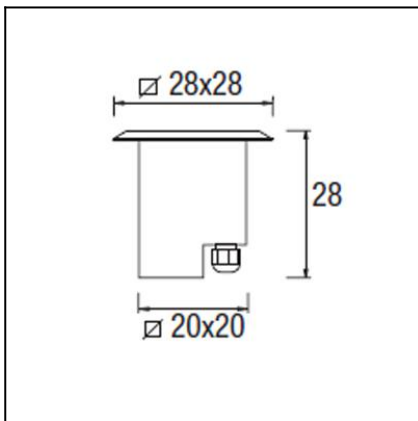




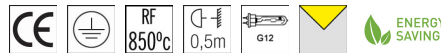
The photograph may not match the reference exactly. Please read the product description to identify the finish.


DESCRIPTION

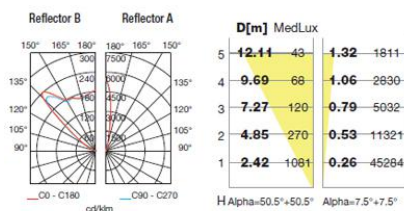
May be flush mounted into the floor. Body produced in injected aluminium, with an AISI 304 stainless steel surround and a clear glass diffuser. For G12 HID 150W +/-15° rotatable bulb light source. Includes a 15° beam reflector and a 100° beam reflector. Its wire outlets on both sides makes it suitable for an array installation. Includes flush mounting box.

TECHNICAL CHARACTERISTICS

Type:	Downlight
Adjustable $\pm 15^\circ$ on the vertical axis	
IP Protection degrees:	IP67
IK Protection degrees:	IK08
Lampholder:	1 x G12
Power (W):	G12 HIT-T-150W
Angle of the optics/Reflector:	15°, 100°
Voltage / Frequency:	230V/50Hz
Warranty (Years):	2
Units per box:	2
Net Weight (Kg):	9.235
EAN:	8435111050019


MATERIALS / FINISHES

Structure material:	Stainless steel AISI304 Aluminium	Diffuser material:	Glass
Structure finish:	Polished	Diffuser finish:	Tempered


GEAR

Gear included: Yes, Magnetic

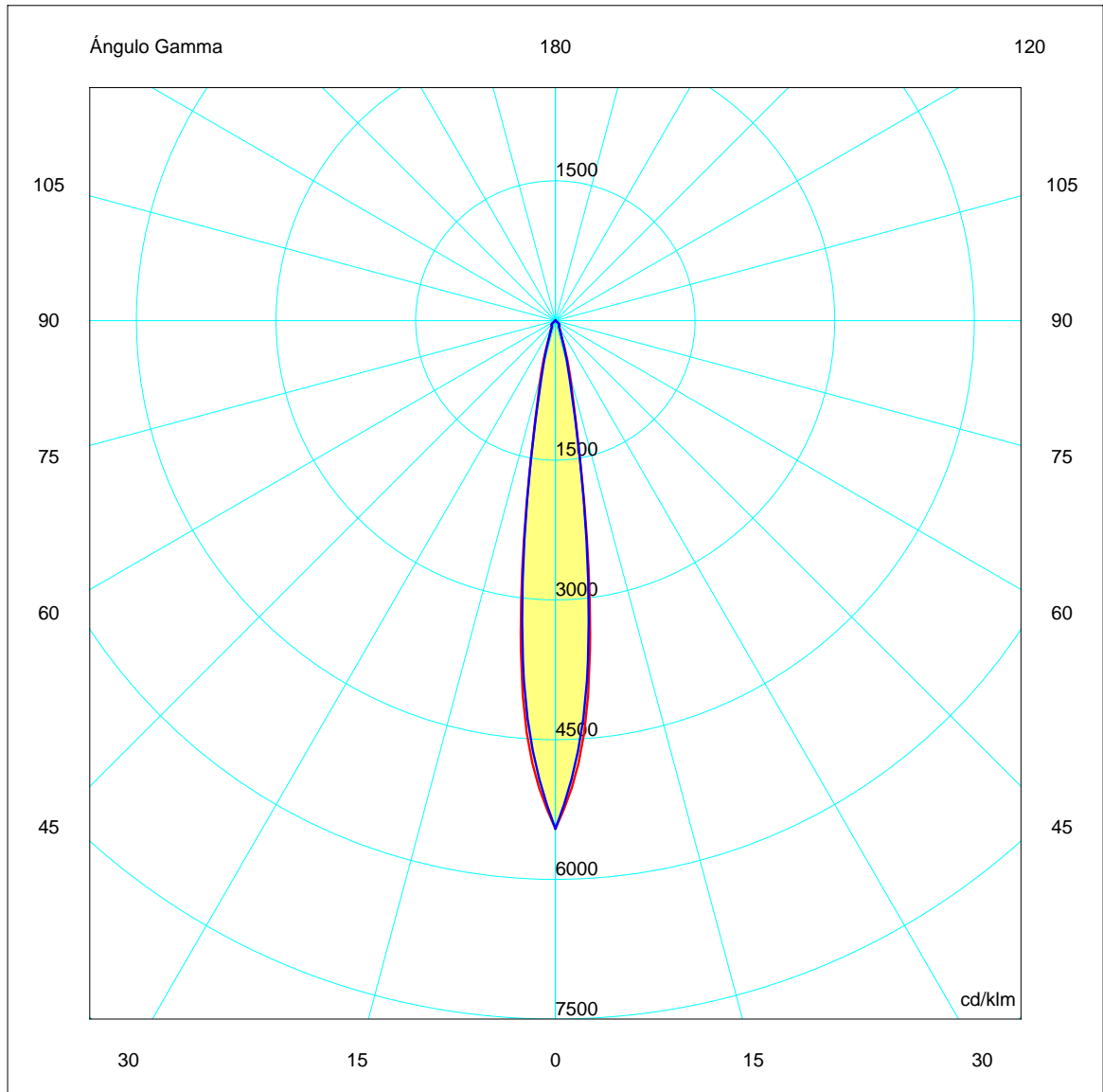
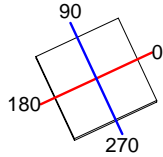
Download photometric file .ldt / .ies

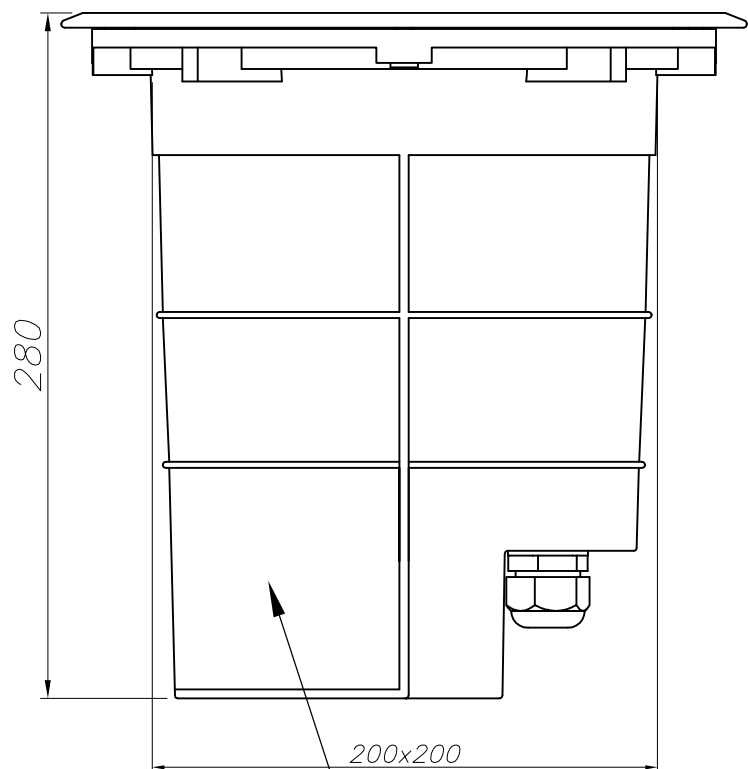
Luminaria		Ensayo		Lámpara	
Código	55-9233-Y4-37 BRILLO	Código	55-9233-Y4-37 brillo	Código	CDMT150
Nombre	Uplight 150W HM G12 ref brillo	Nombre	Uplight 150W HM G12 refl. bril	Número	1
Familia	- LEDS-C4	Fecha	10-11-2008	Posición	Universal
Eficiencia	62.52%	Sist. de Coorden.	C-G	Flujo Total	14000.00 lm
Valor Máximo	5455.48 cd/klm	Posición	C=0.00 G=0.00		Bisimétrico

280mm x 280mm

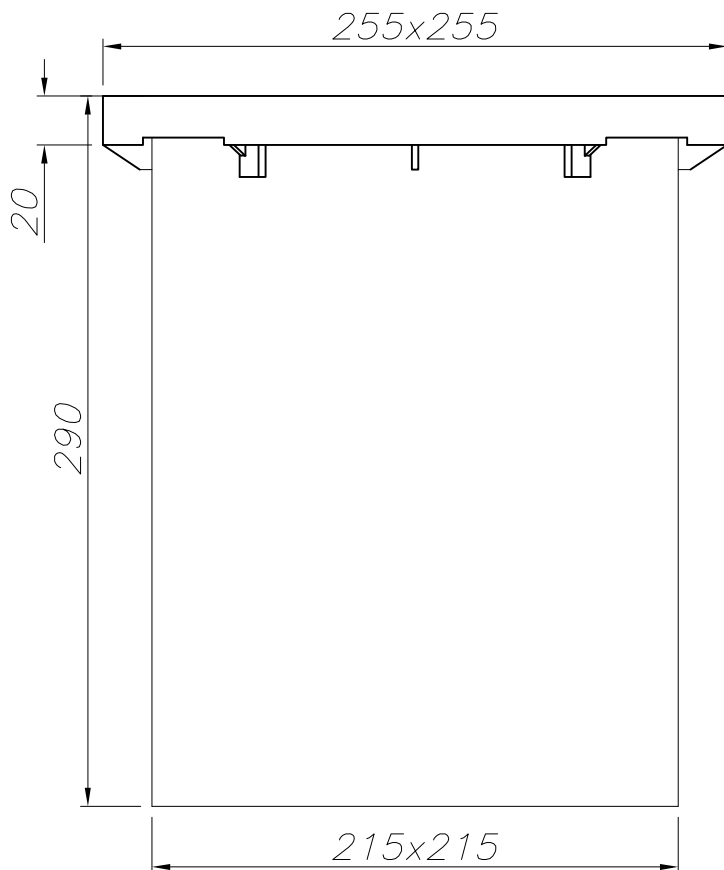
Semiplanos C

180.0 ——— 0.0
270.0 ——— 90.0

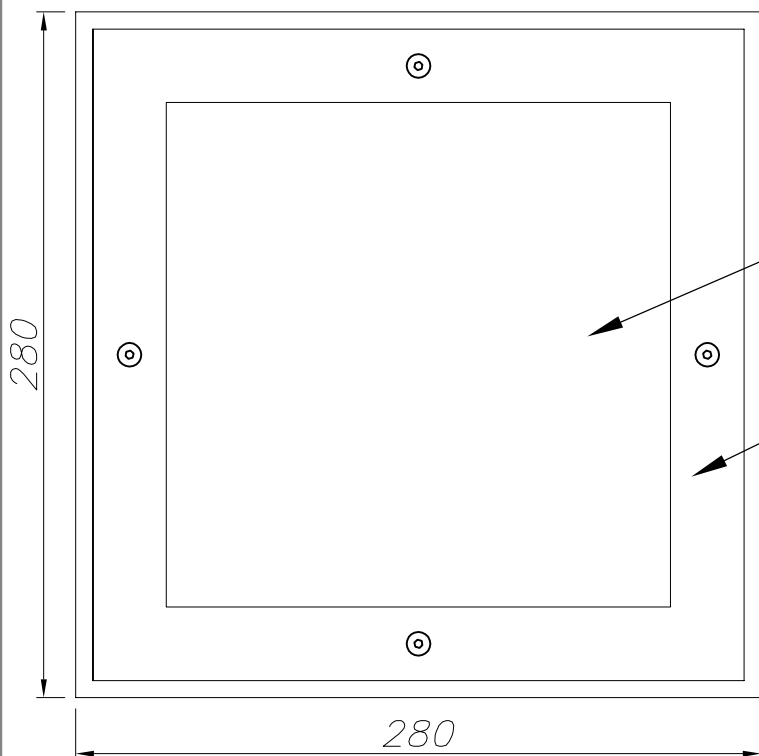




ALUMINIO INYECTADO
INJECTED ALUMINUM



CAJA DE EMPOTRAR
FLUSH FITTING BOX



CRISTAL TRANSPARENTE
TRANSPARENT GLASS

ACERO INOXIDABLE 304
STAINLESS STEEL 304

