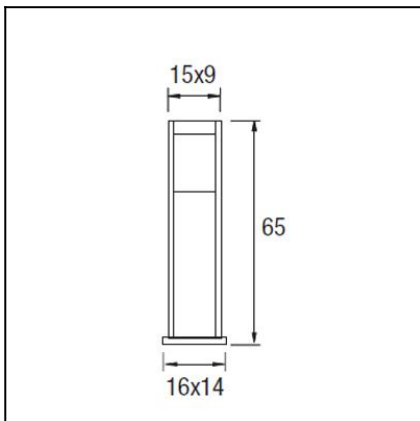




The photograph may not match the reference exactly. Please read the product description to identify the finish.



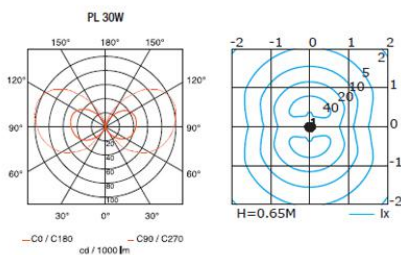
### TECHNICAL CHARACTERISTICS

Type:	Beacon
IP Protection degrees:	IP54
Lampholder:	1 x E27
Power (W):	E27 MAX 100W
Total power consumption (W):	100
Voltage / Frequency:	230V/50-60Hz
Warranty (Years):	2
Units per box:	4
Net Weight (Kg):	2.065
EAN:	8435111049389



### MATERIALS / FINISHES

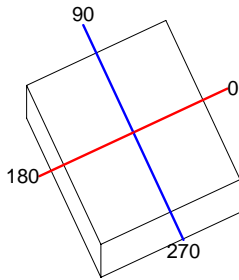
<b>Structure material:</b>	Injected aluminium	<b>Diffuser material:</b>	Polycarbonate
<b>Structure finish:</b>	Grey	<b>Diffuser finish:</b>	Matt



Download photometric file .ldt /.ies

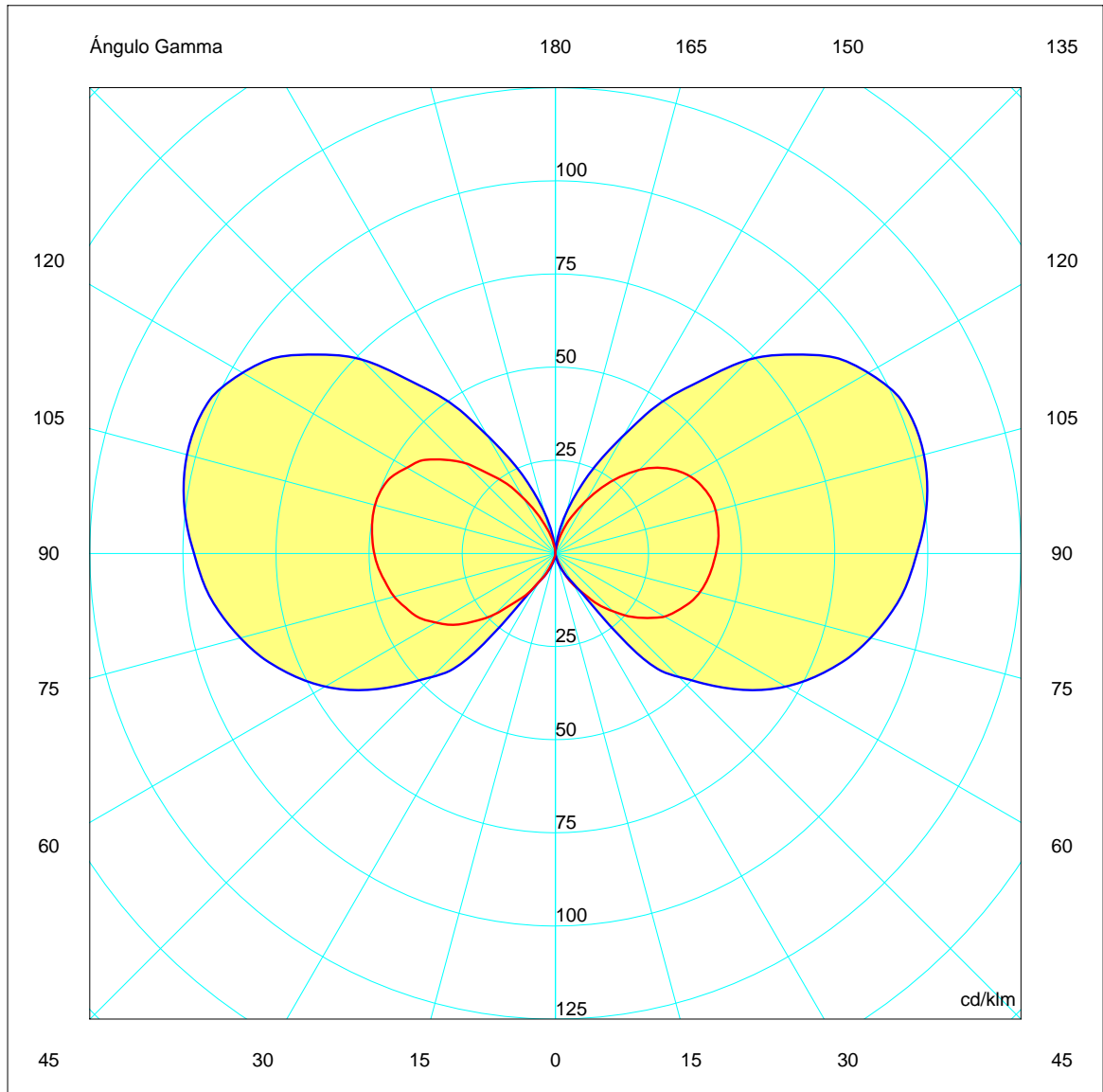
<b>Luminaria</b>		<b>Ensayo</b>		<b>Lámpara</b>	
Código	55-9238-34-M3	Código	55-9238-34-M3	Código	DLX EL LL 15W827E27
Nombre	Baliza HEBE 15W TC-DEL E27	Nombre	Baliza HEBE 15W TC-DEL	Número	1
Familia	- LEDS-C4	Fecha	21-11-2008	Posición	UNIVERSAL
Eficiencia	73.79%	Sist. de Coorden.	C-G	Flujo Total	900.00 lm
Valor Máximo	103.27 cd/klm	Posición	C=105.00 G=105.00	Sim. en los planos	0-180

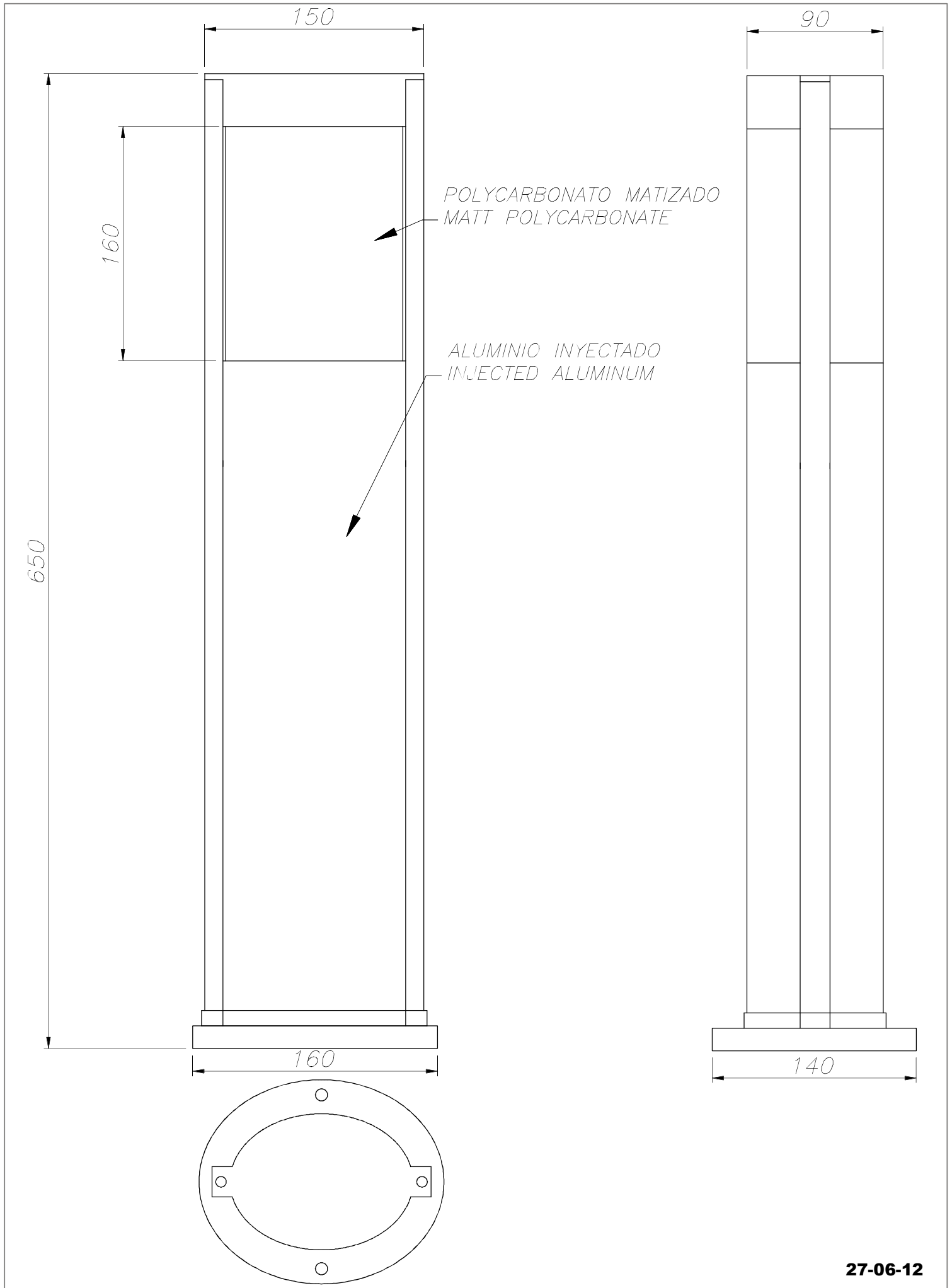
160mm x 140mm



Semiplanos C

180.0 ——— 0.0  
270.0 ——— 90.0







LED S-C4

OUTDOOR

