

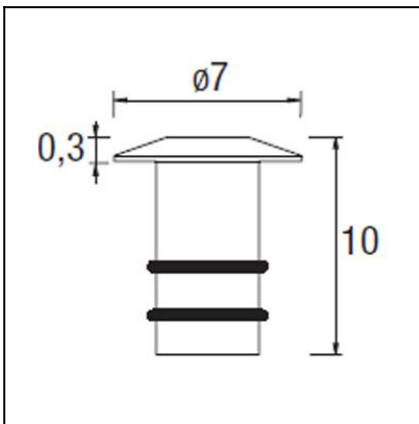
OUT 

GEA

55-9255-54-37

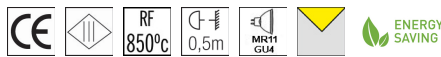


The photograph may not match the reference exactly. Please read the product description to identify the finish.



TECHNICAL CHARACTERISTICS

Type:	Downlight
IP Protection degrees:	IP68 (1m)
IK Protection degrees:	IK07
Recessed in-ground suitable for pedestrian crossing:	Si
Lampholder:	1 x GU4
Power (W):	GU4 max. 20W
Total power consumption (W):	20
Voltage / Frequency:	12VAC
Warranty (Years):	2
Units per box:	18
Net Weight (Kg):	0.415
EAN:	8435111049488



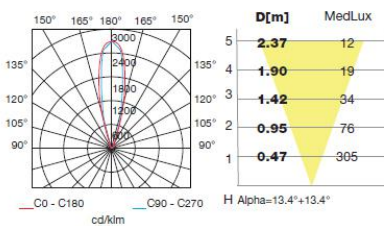
MATERIALS / FINISHES

Structure material: Aluminium
Structure finish: Anodized

Diffuser material: Glass
Diffuser finish: Tempered

GEAR

Necessary equipment not included. For more information check website / catalogs / sales organization.



Download photometric file .ldt / .ies

71-9197-05-05

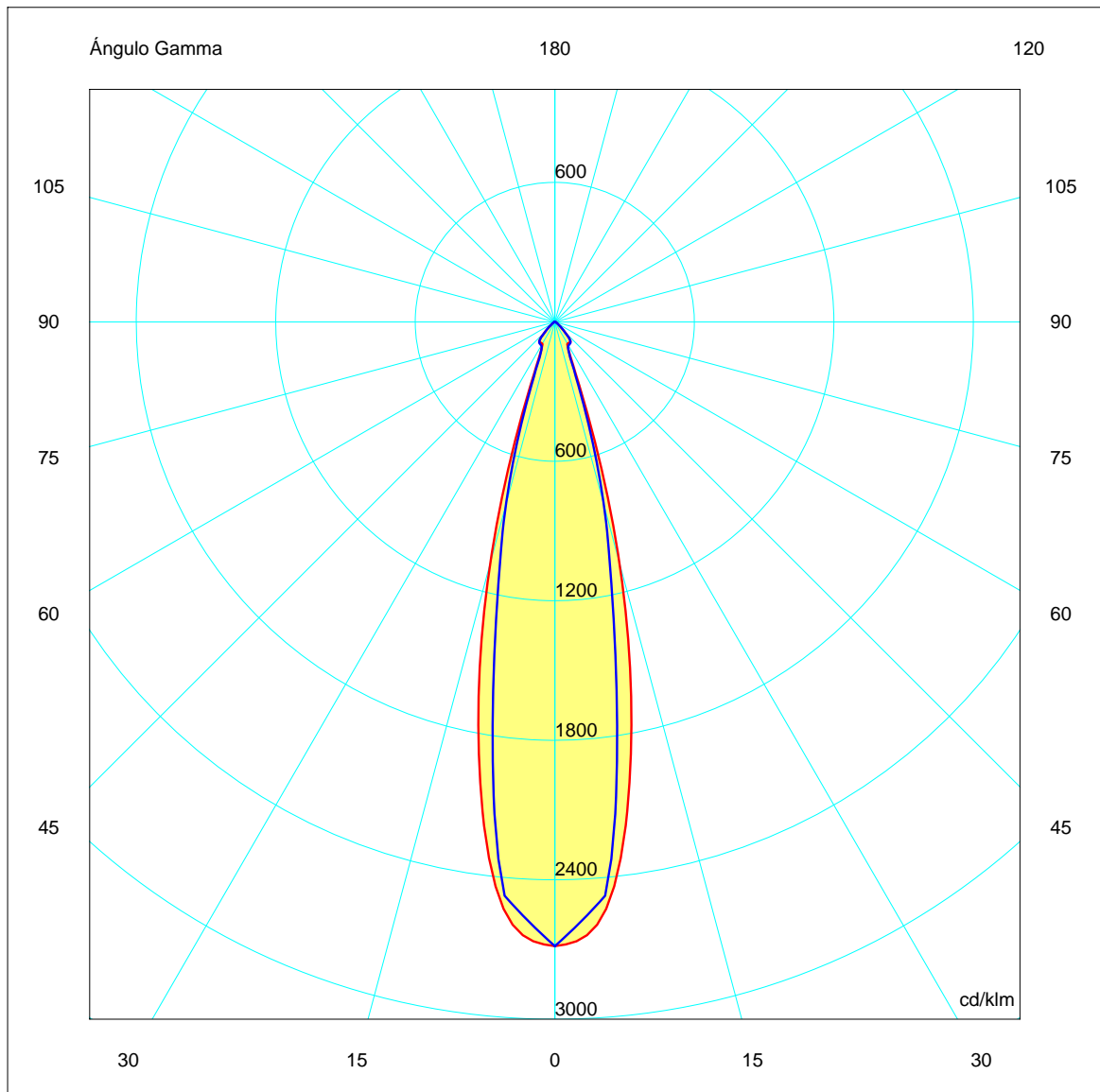
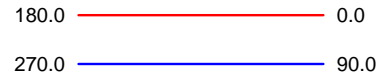
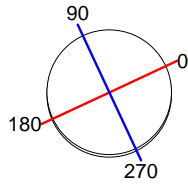


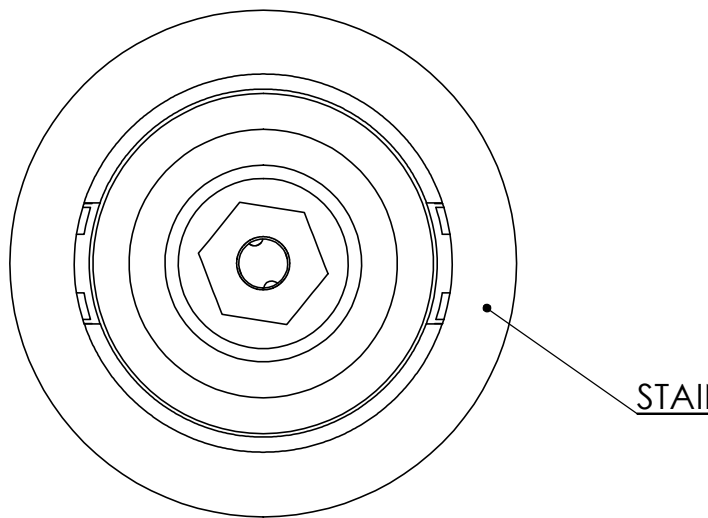
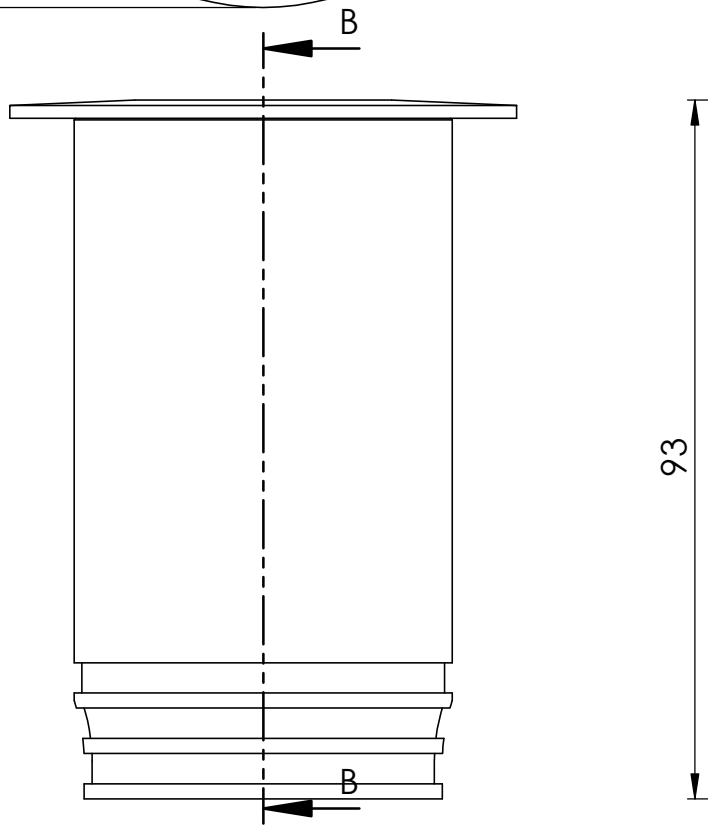
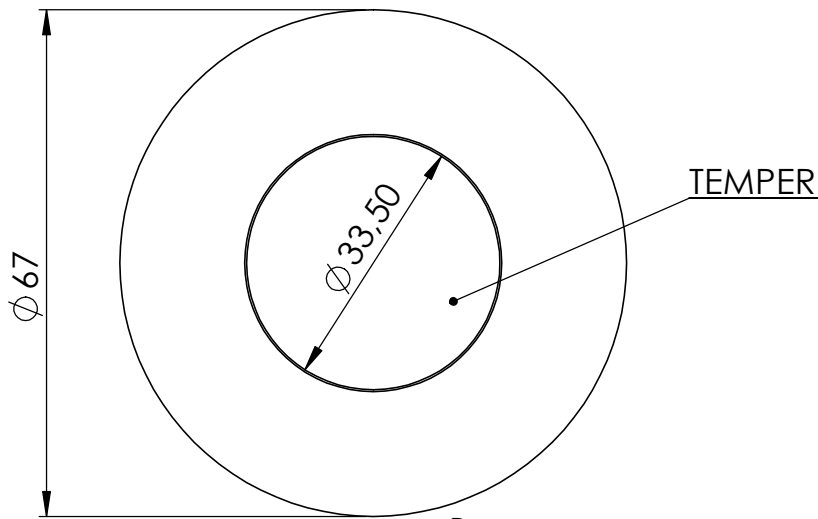
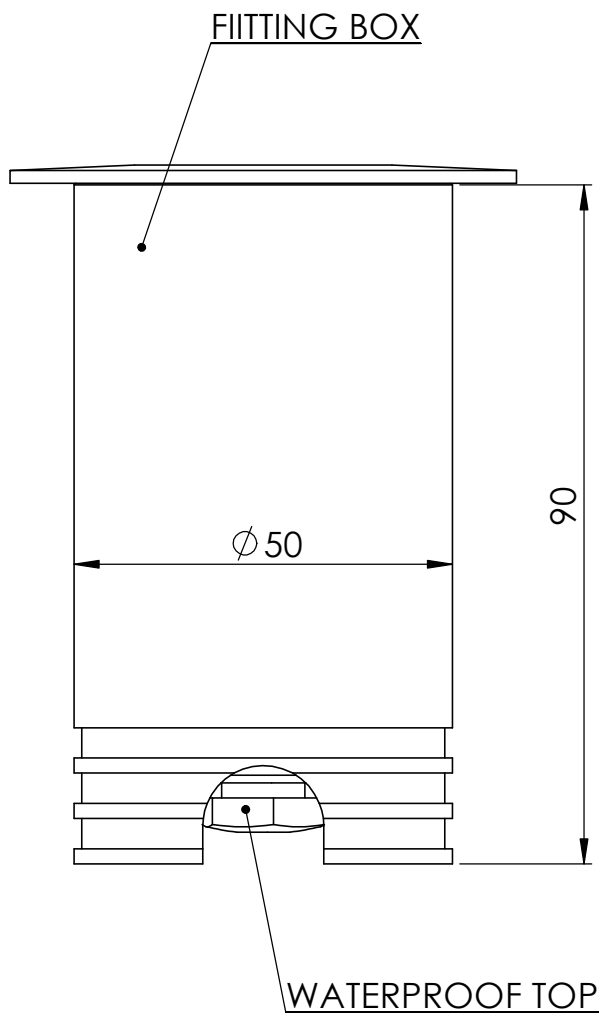
IP68 (1m)

Luminaria		Ensayo		Lámpara	
Código	55-9255-54-37	Código	55-9255-54-37	Código	55-9255-54-37
Nombre	Uplight 1xMAX 20W GU4	Nombre	Uplight 1x20W GU 4	Número	1
Familia	- LEDS-C4	Fecha	22-11-2008	Posición	UNIVERSAL
Eficiencia	66.96%	Sist. de Coordin.	C-G	Flujo Total	183.00 lm
Valor Máximo	2684.94 cd/klm	Posición	C=0.00 G=0.00	Bisimétrico	

Diam=50mm Incasso

Semiplanos C



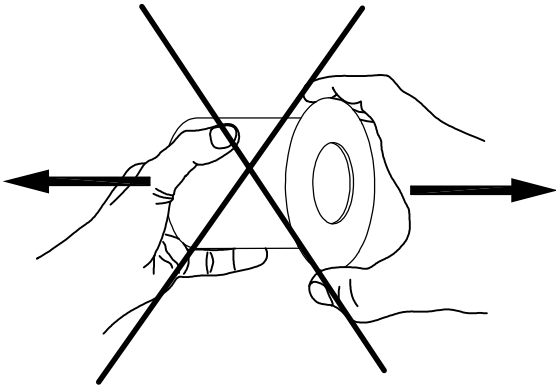


© Leds C-4. All rights reserved. Copying and / or reproduction prohibited without written authorization of LEDS-C4

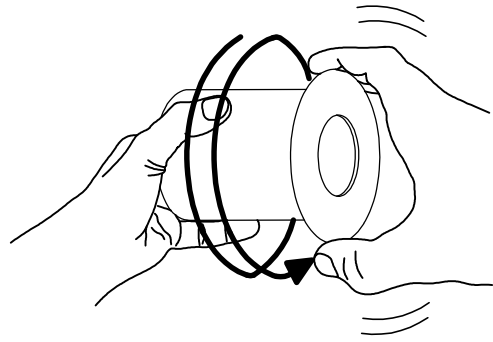
© Leds C-4. Todos los derechos reservados. Se

	Fecha	Nombre	CRITERIOS DE CONTROL		Tolerancias generales TOL-GRAL	Proyecto: PROYECTO
			Dibujado	15-7-11		J.PARES
Comprob.	COMPRDATA	J.PARES	Inspección Visual	INSP-VIS		

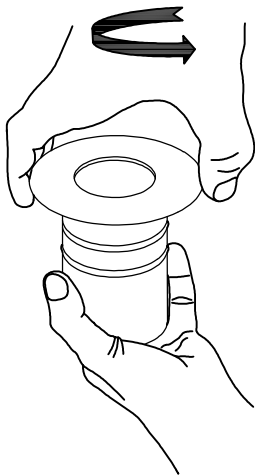
①



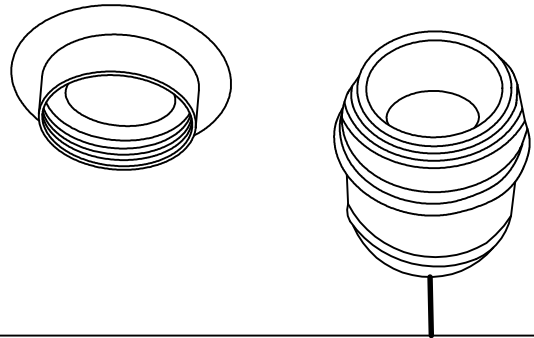
②



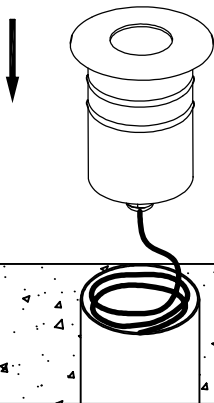
③



④



⑤



⑥

