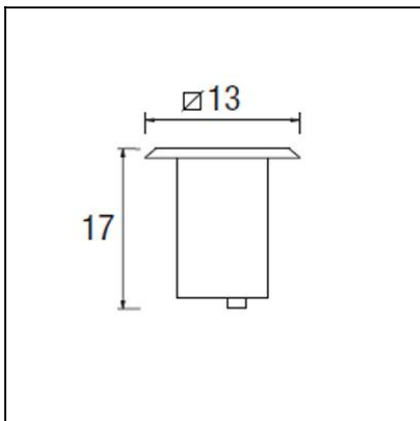




The photograph may not match the reference exactly. Please read the product description to identify the finish.



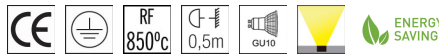
Download photometric file .ldt /.ies

DESCRIPTION

May be flush mounted into the floor. Body produced in techno-polymer, with an AISI 304 stainless steel surround and a tempered glass diffuser. For GU-10 light source, compatible with LED, compact fluorescent and halogen lamps. Its wire outlets on both sides makes it suitable for an array installation. Includes flush mounting box.

TECHNICAL CHARACTERISTICS

Type:	Downlight
IP Protection degrees:	IP67
IK Protection degrees:	IK08
Lampholder:	1 x GU10
Power (W):	GU10 MAX 50W
Total power consumption (W):	50
Voltage / Frequency:	230V/50-60Hz
Warranty (Years):	2
Units per box:	8
Net Weight (Kg):	0.715
EAN:	8435111053539



MATERIALS / FINISHES

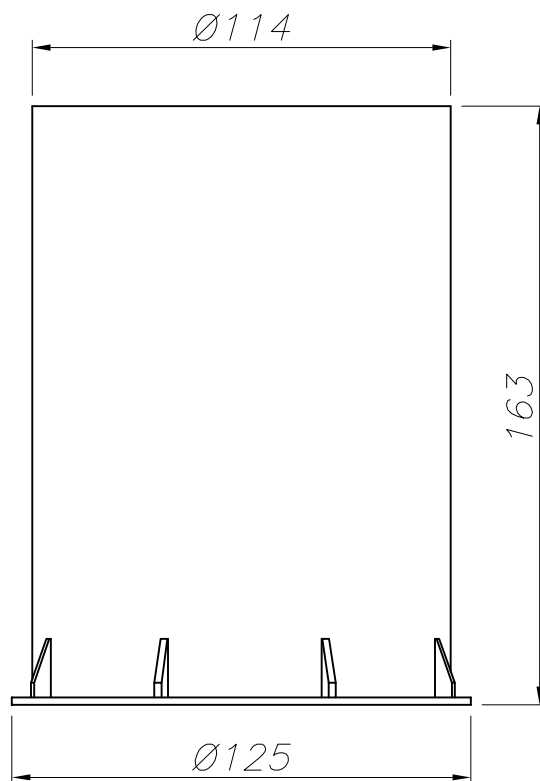
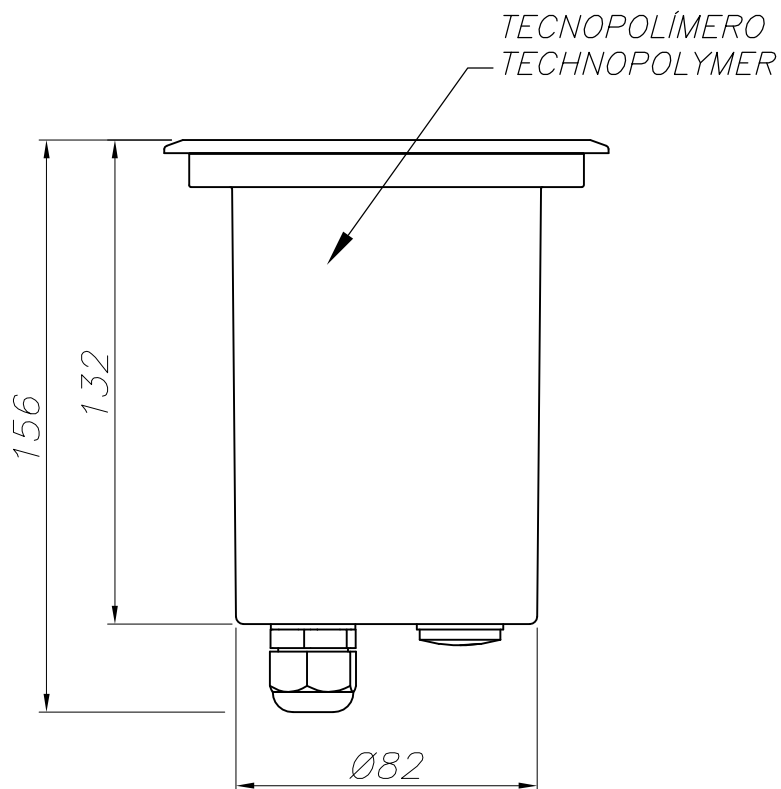
Structure material: Stainless steel AISI304
Technopolymer

Diffuser material: Glass

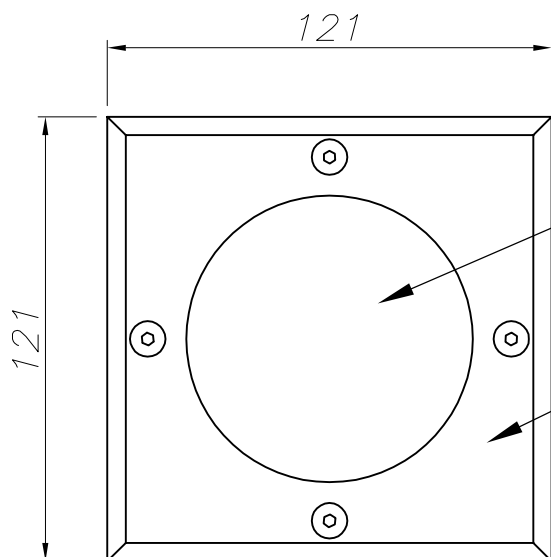
Structure finish: Polished

Diffuser finish: Tempered

71-9449-CA-CA**Structure material:** Stainless steel AISI316**Structure finish:** Polished



CAJA DE EMPOTRAR
FLUSH FITTING BOX



CRISTAL TEMPLADO TRANSPARENTE
TRANSPARENT TEMPERED GLASS

ACERO INOXIDABLE AISI 304
STAINLESS STEEL AISI 304

