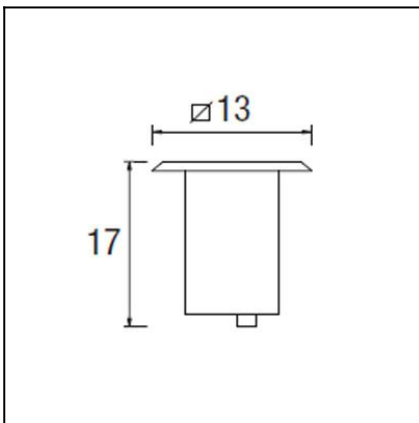




The photograph may not match the reference exactly. Please read the product description to identify the finish.

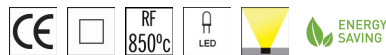


DESCRIPTION

May be flush mounted into the floor. Body produced in techno-polymer, with an AISI 304 stainless steel surround and a tempered glass diffuser. 6,500K LED light source comprising 15 0.1W LED lights with a total output of 160 lumens. 2.5 m lead wire supplied. 230V. Driver included. Includes 3.000K warm light filter and 4 colour filters (yellow, green, blue and red). Its wire outlets on both sides makes it suitable for an array installation Includes flush mounting box.

TECHNICAL CHARACTERISTICS

Type:	Downlight
IP Protection degrees:	IP67
IK Protection degrees:	IK08
Bulb:	15 x LED. Cold White - 6500K
Power (W):	1W
Luminous efficacy (Lm/W):	107
Voltage / Frequency:	230V/50-60Hz
Warranty (Years):	2
Option to extend the guarantee:	Yes, 5 years
Units per box:	8
Net Weight (Kg):	0.8
EAN:	8435111053553



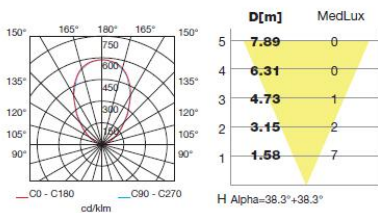
MATERIALS / FINISHES

Structure material: Stainless steel AISI304
Technopolymer

Diffuser material: Glass

Structure finish: Polished

Diffuser finish: Sandblasted



GEAR

Gear included: Yes, electronic

Download photometric file .ldt / .ies

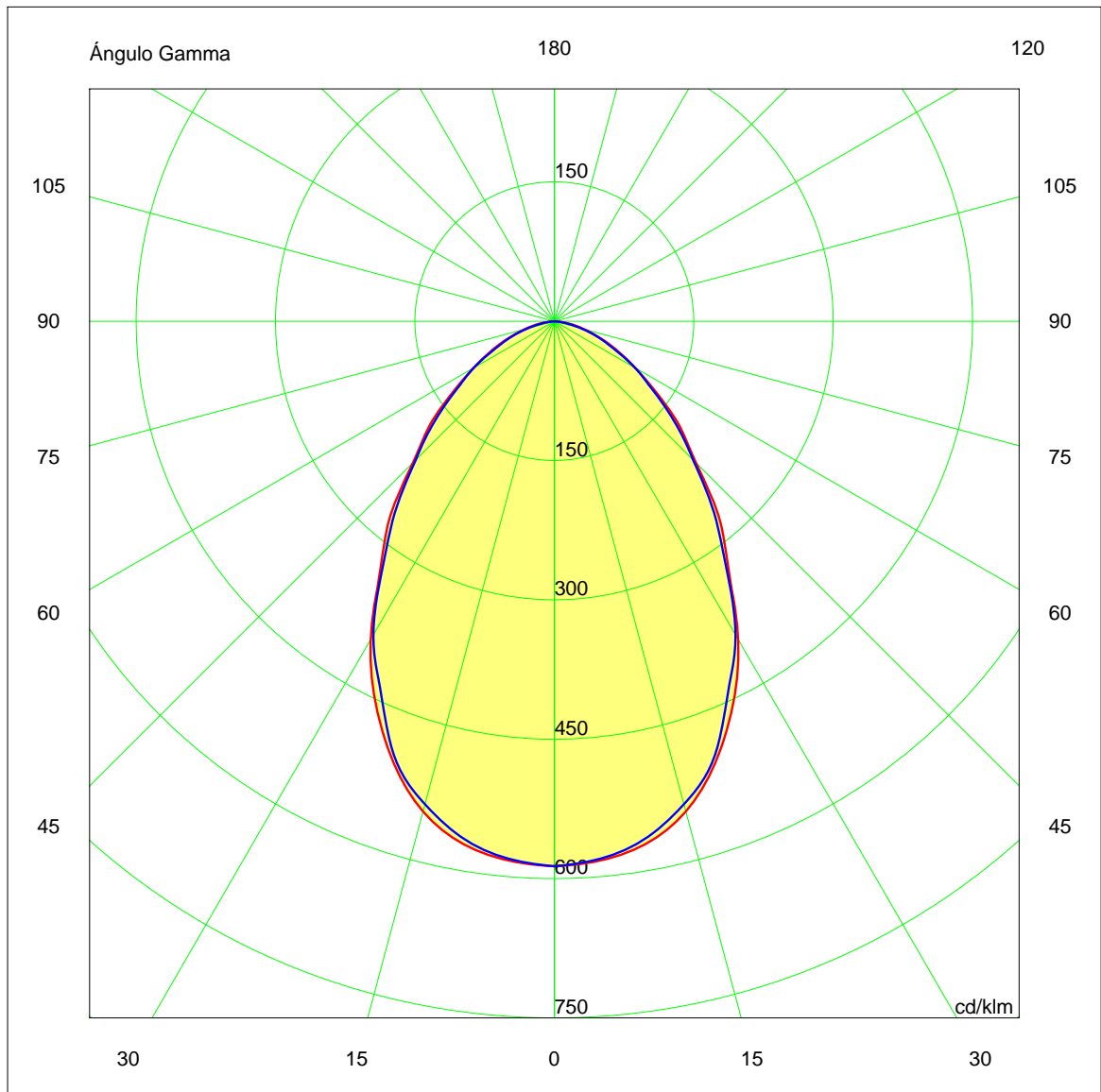
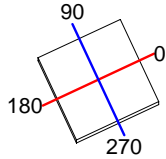
71-9449-CA-CA**Structure material:** Stainless steel AISI316**Structure finish:** Polished

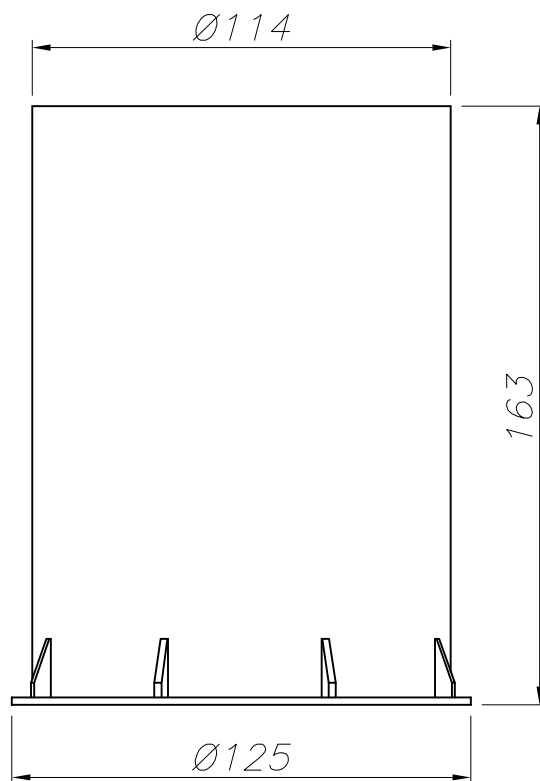
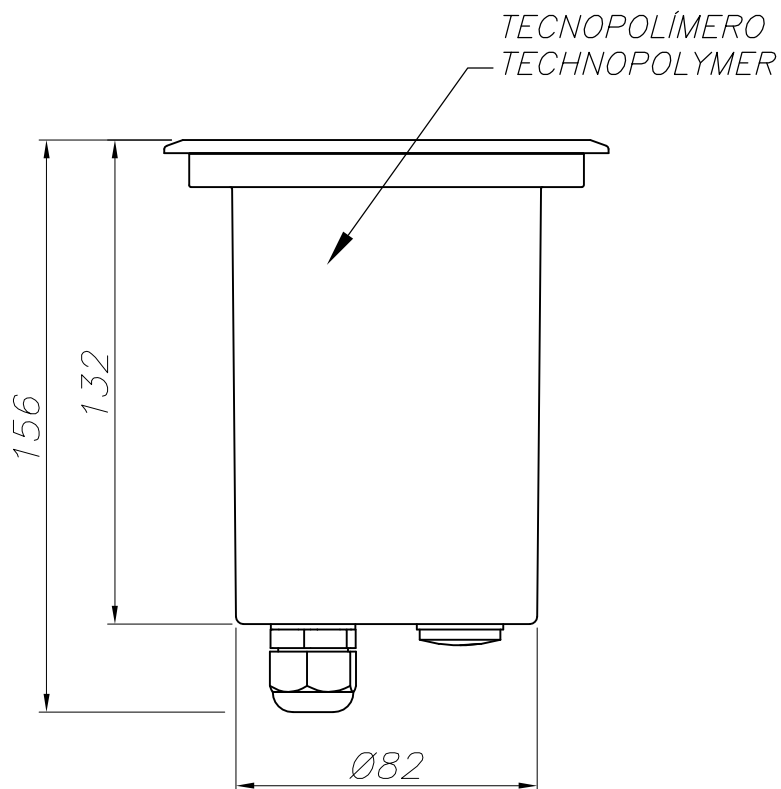
Luminaria		Ensayo		Lámpara	
Código	55-9283-Y4-T2	Código	55-9282-Y4-T2	Código	55-9282-Y4-T2
Nombre	Uplight 15Leds x 0.1W Blanco	Nombre	Uplight 15 leds x 0.1W blanco	Número	1
Familia	- LEDS-C4	Fecha	21-11-2008	Posición	Universal
Eficiencia	99.96%	Sist. de Coordin.	C-G	Flujo Total	27.67 lm
Valor Máximo	586.59 cd/klm	Posición	C=0.00 G=0.00	Bisimétrico	

120mm x 120mm

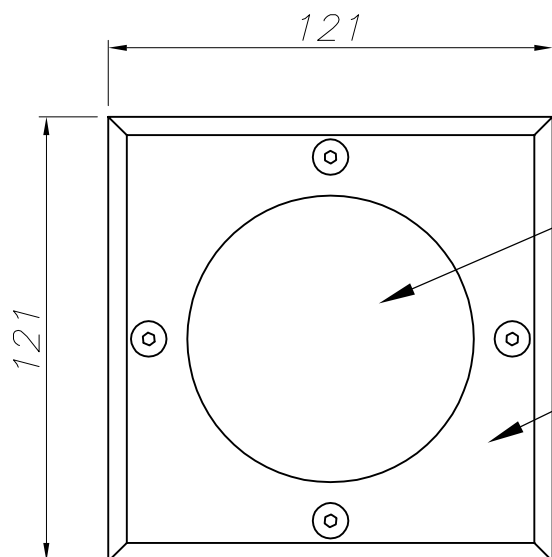
Semiplanos C

180.0 ——— 0.0
270.0 ——— 90.0





CAJA DE EMPOTRAR
FLUSH FITTING BOX



CRISTAL TEMPLADO ARENADO INTERIOR
TEMPERED GLASS SANDFROSTED INSIDE

ACERO INOXIDABLE AISI 304
STAINLESS STEEL AISI 304

