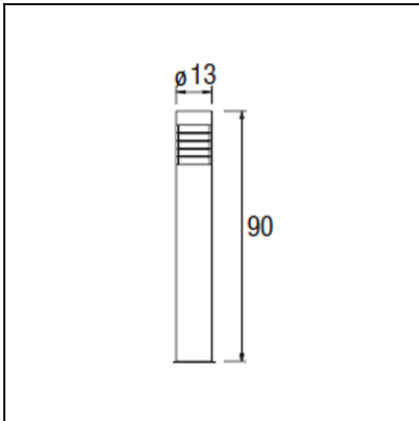


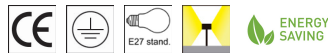


The photograph may not match the reference exactly. Please read the product description to identify the finish.



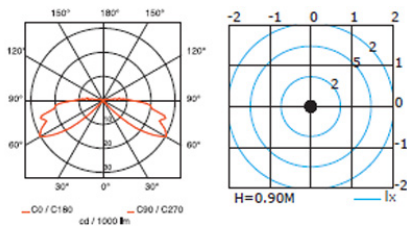
### TECHNICAL CHARACTERISTICS

Type:	Beacon
IP Protection degrees:	IP54
Lampholder:	1 x E27
Power (W):	E27 max. 60W
Total power consumption (W):	100
Voltage / Frequency:	220-240V/50-60Hz
Warranty (Years):	2
Units per box:	2
Net Weight (Kg):	3.59
EAN:	8435111059265

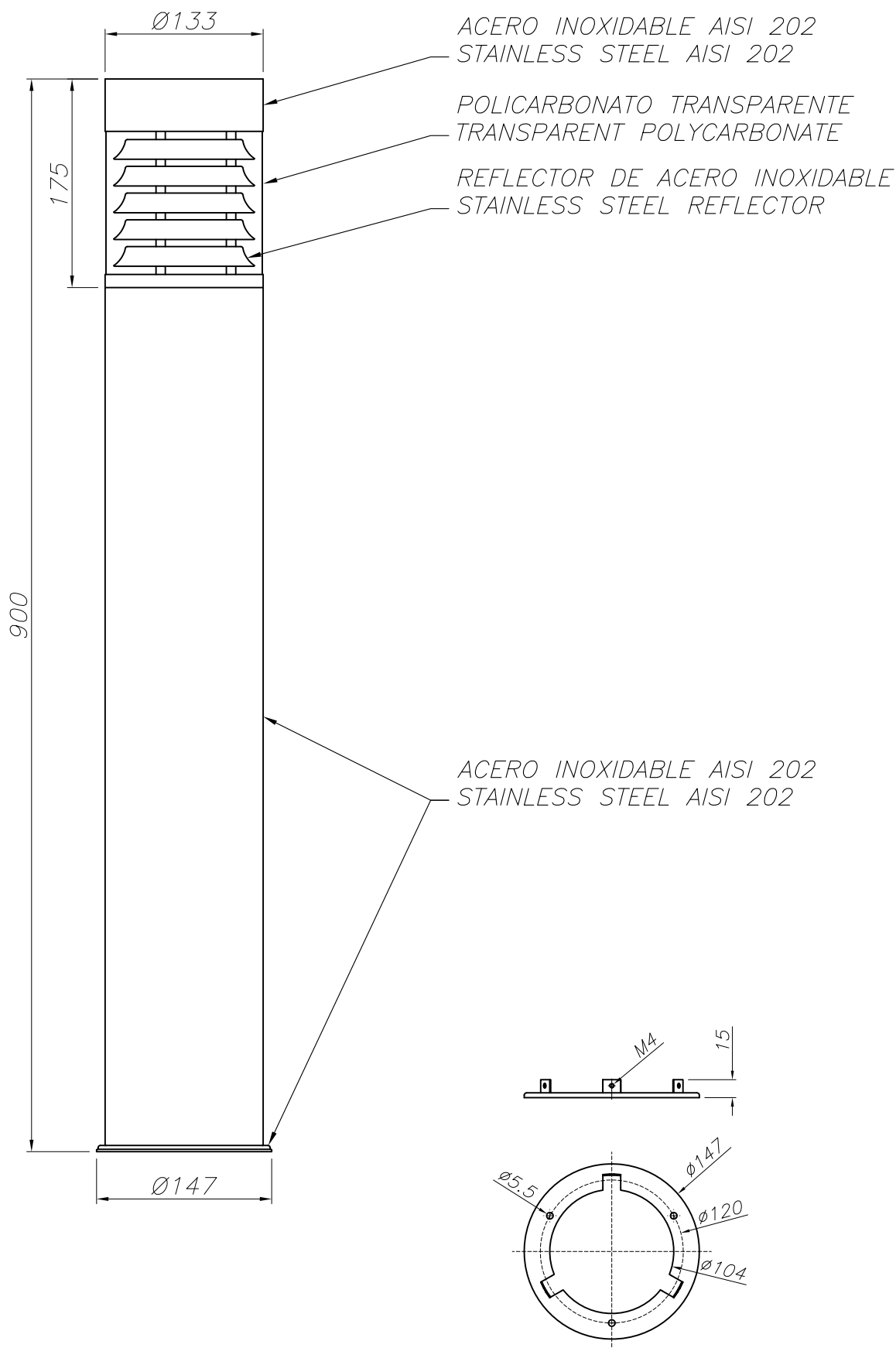


### MATERIALS / FINISHES

<b>Structure material:</b>	Stainless steel AISI202	<b>Diffuser material:</b>	Polycarbonate
<b>Structure finish:</b>	Polished	<b>Diffuser finish:</b>	Transparent



Download photometric file .ldt / .ies



PLANTILLA DE INSTALACION  
INSTALLATION TEMPLATE



LEDSTAR

OUTDOOR

55-9317

