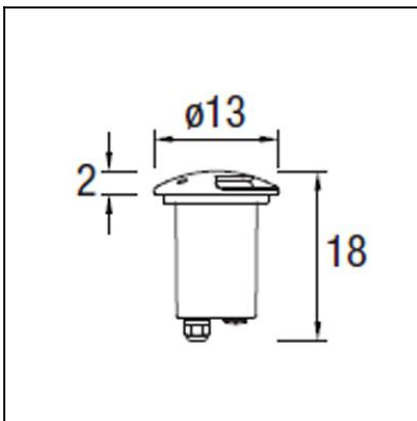




The photograph may not match the reference exactly. Please read the product description to identify the finish.



DESCRIPTION

May be flush mounted into the floor. Body produced in techno-polymer, lamp head in high grade aluminium and diffuser in frosted polycarbonate. Available in 12 different versions depending on the number of panes (one, two or four), on the finish (light or dark grey) and the light source (E-27 or LED). This version includes a 4,100K signal LED with a total output of 128 lm and includes a 230V driver. The E-27 version is compatible with LED and compact fluorescent lights (not supplied). IP67 and IK10. Its wire outlets on both sides makes it suitable for an array installation. Includes flush mounting box. Option of separate purchase of a coloured reflector accessory.

TECHNICAL CHARACTERISTICS

Type:	Downlight
IP Protection degrees:	IP67
IK Protection degrees:	IK10
Bulb:	12 x LED. Neutral white - 4000K
Power (W):	1W
Total power consumption (W):	1.7
Luminous efficacy (Lm/W):	128
Voltage / Frequency:	230V/50-60Hz
Warranty (Years):	2
Option to extend the guarantee:	Yes, 5 years
Units per box:	4
Net Weight (Kg):	0.775
EAN:	8435111075180



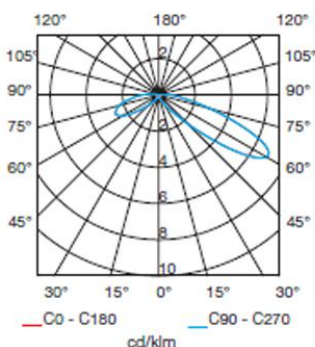
MATERIALS / FINISHES

Structure material: High purity aluminium
Technopolymer

Diffuser material: Polycarbonate

Structure finish: Grey

Diffuser finish: Matt

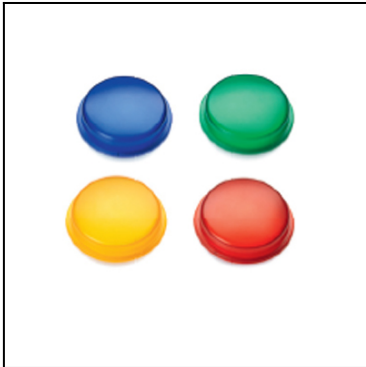


Download photometric file .ldt / .ies

GEAR

Gear included: Yes, electronic

71-9476-25-25

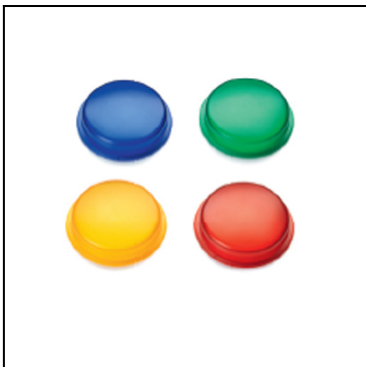
**Structure material:**

Polycarbonate

Structure finish:

Red

71-9476-08-08

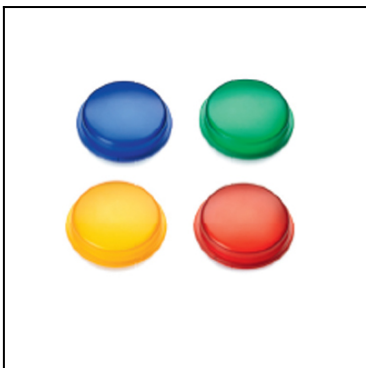
**Structure material:**

Polycarbonate

Structure finish:

Green

71-9476-11-11

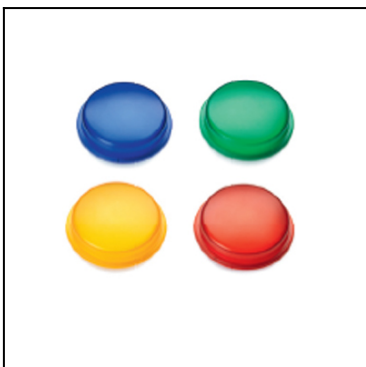
**Structure material:**

Polycarbonate

Structure finish:

Blue

71-9476-24-24

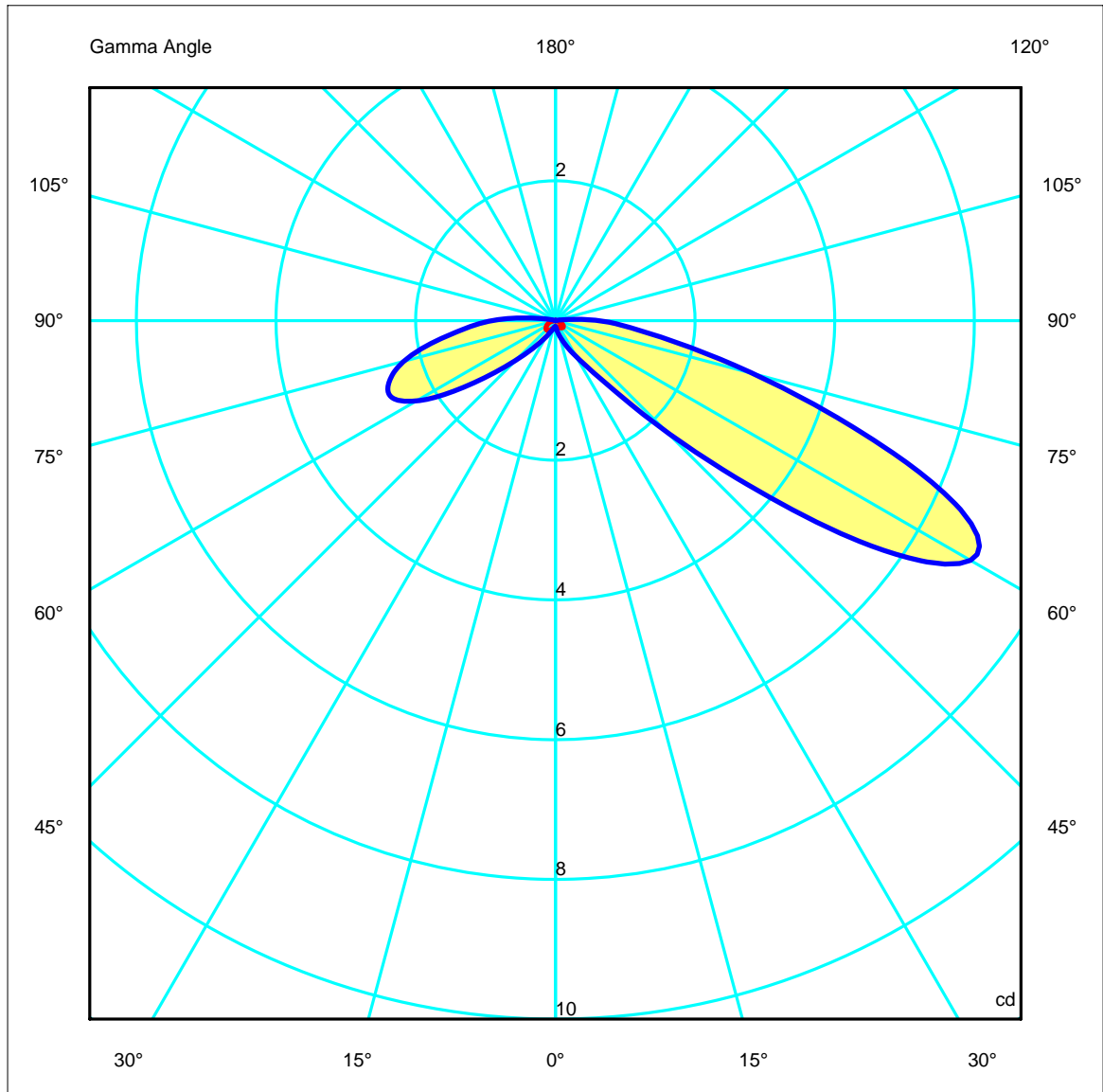
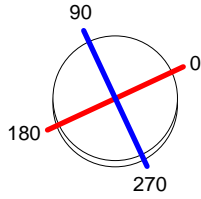
**Structure material:**

Polycarbonate

Luminaire		Measurement		Lamp	
Code	55-9423-Z5-T2	Code	55-9423-Z5-T2	Code	LAMP 55-9423-Z5-T2
Name	Uplight XENA 1.2 W Led 2 cares	Name	Uplight XENA 1.2W led 2 cares	Number	1
Line	- LEDS C4 LEDS	Date	23-12-2010	Position	Universal
Efficiency	99.96%	Coordinate system	C-G	Total Flux	8.03 lm
Maximum value	6.86 cd	Position	C=90.00 G=60.00	Asymmetrical	

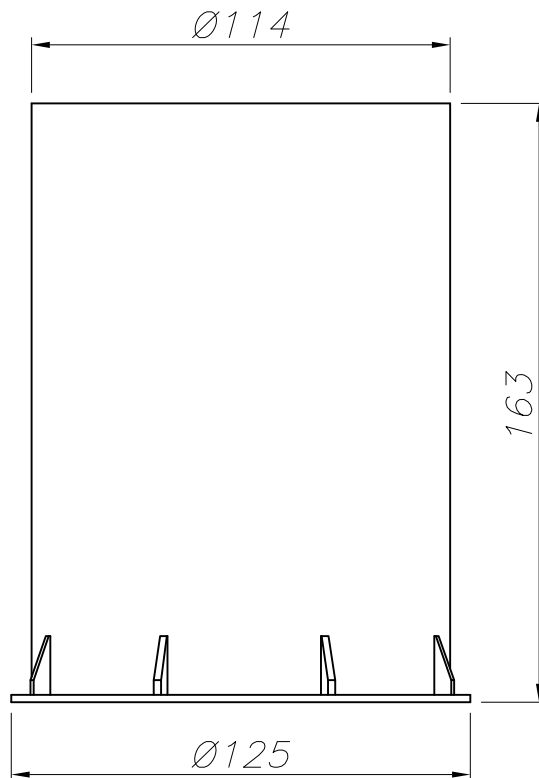
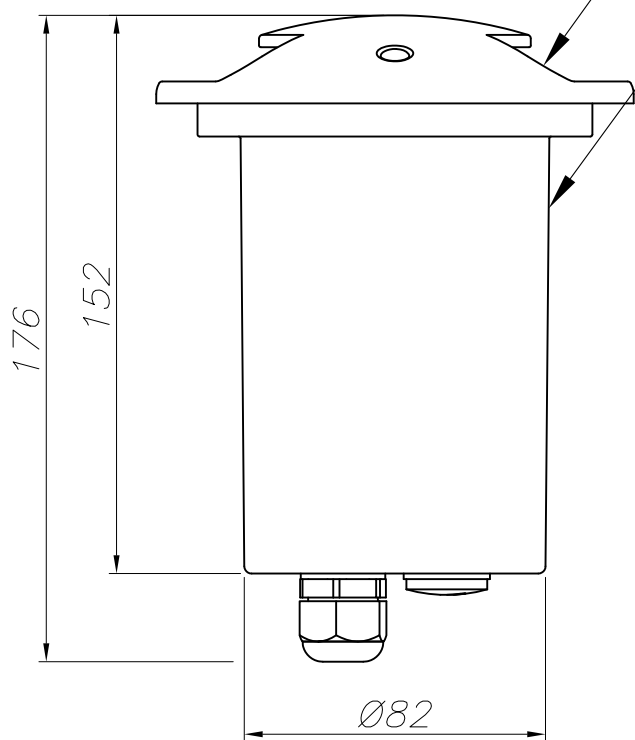
Diam=130mm

C Halfplanes

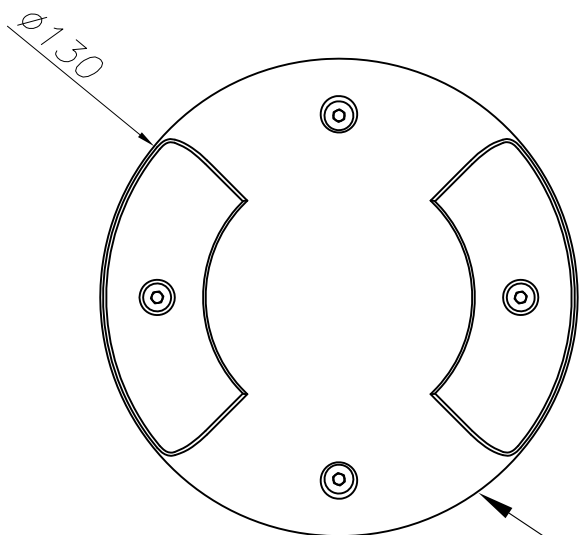


POLICARBONATO SEMITRASPARENTE MATE
SEMISTRANSARENT MATT POLYCARBONATE

TECNOPOLÍMERO
TECHNOPOLYMER



CAJA DE EMPOTRAR
FLUSH FITTING BOX



ALUMINIO DE ALTA PUREZA
HIGH QUALITY ALUMINIUM

