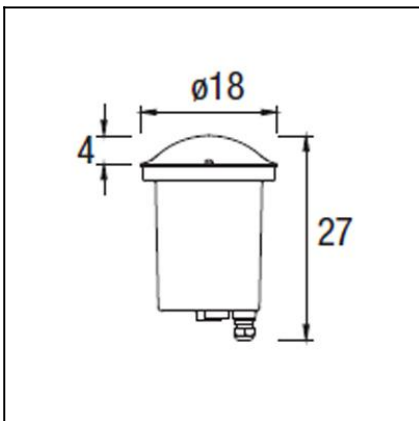




The photograph may not match the reference exactly. Please read the product description to identify the finish.


DESCRIPTION

May be flush mounted into the floor. Techno-polymer body and clear polycarbonate diffuser. Includes anti-light pollution reflector. Available in 11cm diameter for GU11 and in 18 cm diameter for E-27. Compatible with LED and compact fluorescent lights (not supplied). Its wire outlets on both sides makes it suitable for an array installation. Includes flush mounting box.

TECHNICAL CHARACTERISTICS

Type:	Downlight
IP Protection degrees:	IP67
IK Protection degrees:	IK10
Lampholder:	1 x E27
Power (W):	E27 MAX 23W
Total power consumption (W):	23
Voltage / Frequency:	230V/50-60Hz
Warranty (Years):	2
Units per box:	6
Net Weight (Kg):	1.63
EAN:	8435111075203

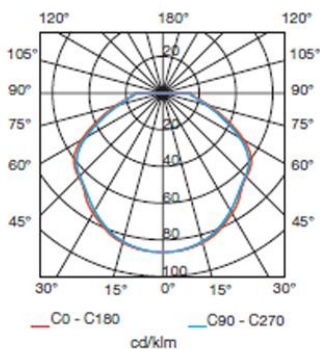

MATERIALS / FINISHES

Structure material: Technopolymer
Fiber glass

Diffuser material: Polycarbonate

Structure finish: Black

Diffuser finish: Transparent

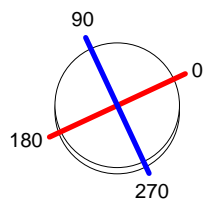


Download photometric file .ldt / .ies

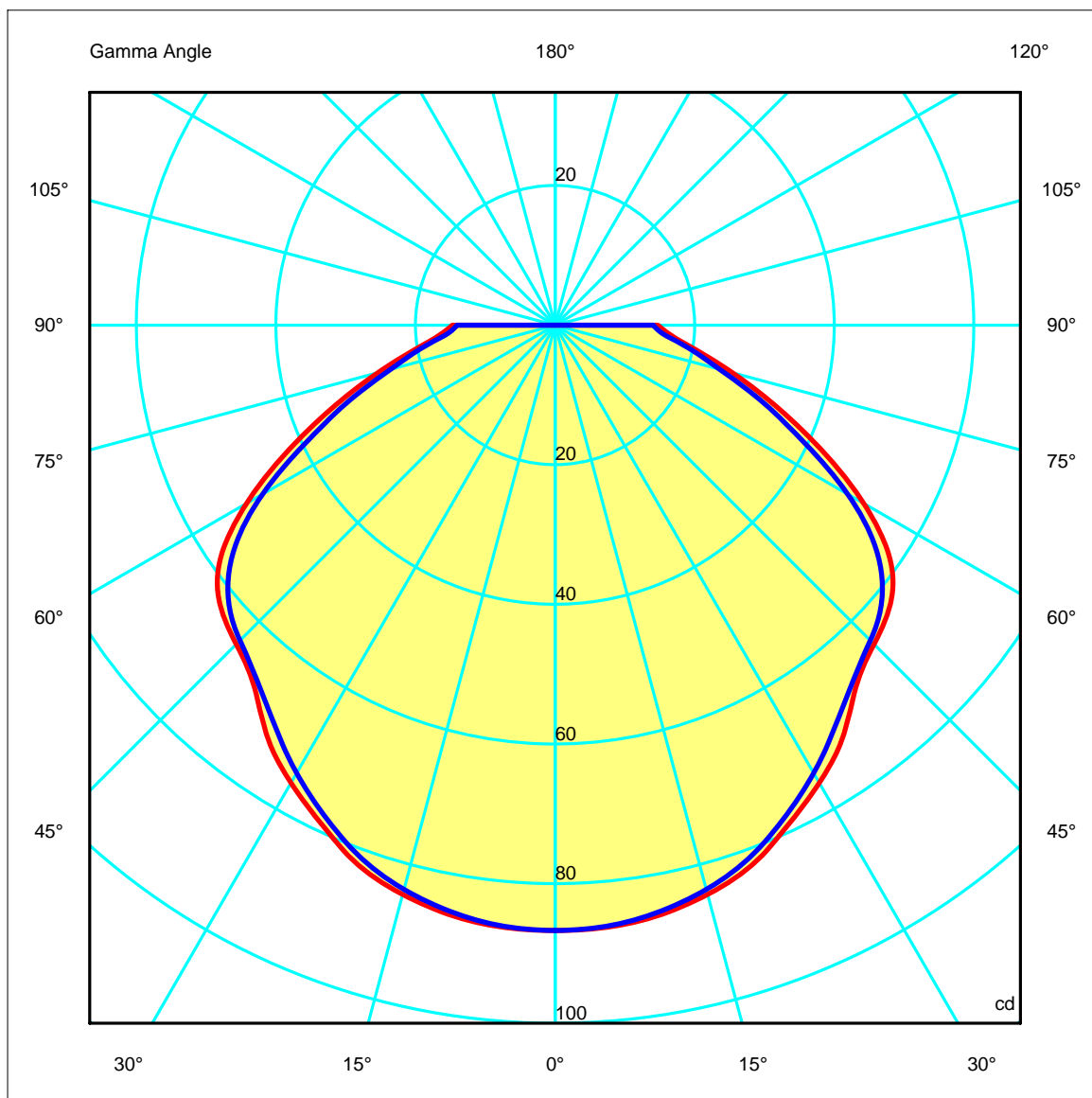
Luminaire		Measurement		Lamp	
Code	55-9425	Code	55-9425	Code	CFL PAR38 20W
Name	Uplight XENA 1x23w PAR 38	Name	Uplight XENA 1x23W Par 38	Number	1
Line	- LEDS-C4	Date	27-12-2010	Position	Universal
Efficiency	30.98%	Coordinate system	C-G	Total Flux	950.00 lm
Maximum value	86.70 cd	Position	C=0.00 G=0.00	Double Symmetrical	

Diam=170mm Incasso

C Halfplanes

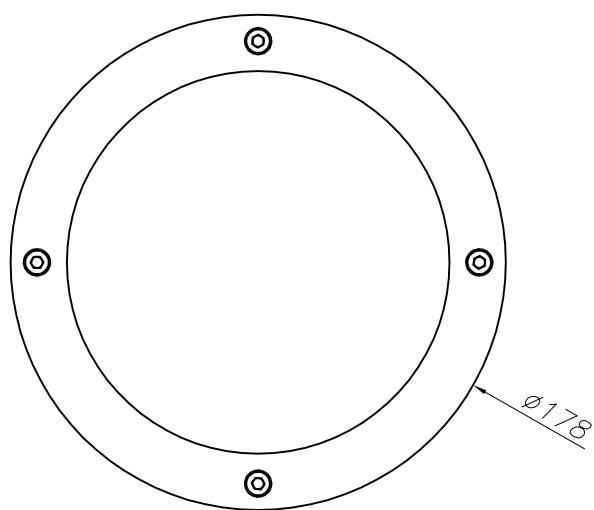
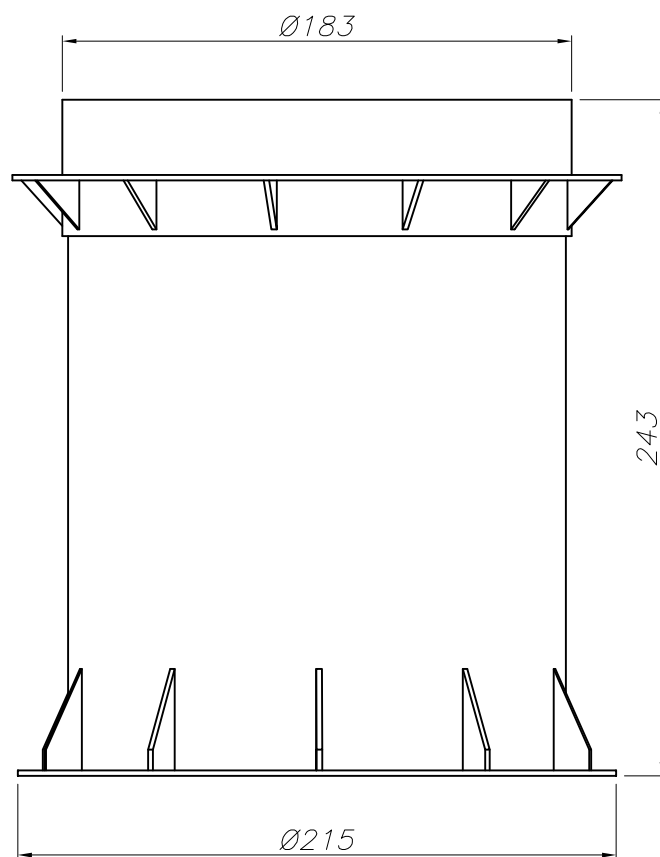
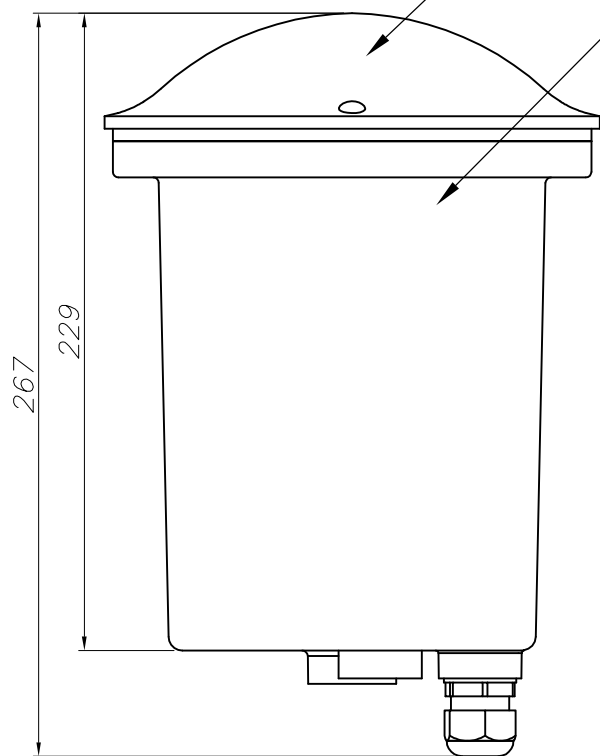


180.0 ————— 0.0
 270.0 ————— 90.0



POLICARBONATO TRANSPARENTE
TRANSPARENT POLYCARBONATE

TECNOPOLÍMERO
TECHNOPOLYMER



CAJA DE EMPOTRAR
FLUSH FITTING BOX

