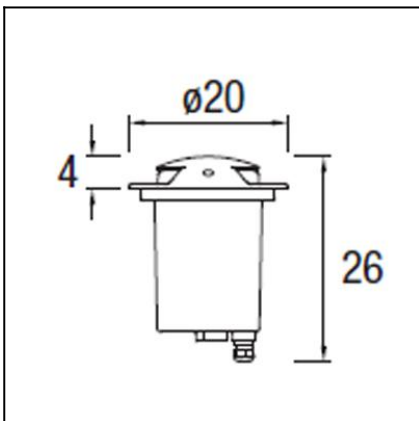




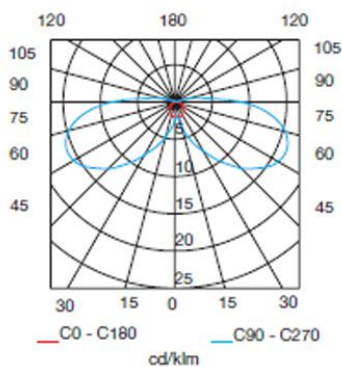
The photograph may not match the reference exactly. Please read the product description to identify the finish.


**DESCRIPTION**

May be flush mounted into the floor. Body produced in techno-polymer, lamp head in high grade aluminium and diffuser in frosted polycarbonate. Available in 12 different versions depending on the number of panes (one, two or four), on the finish (light or dark grey) and the light source (E-27 or LED). This version includes a 4,100K signal LED with a total output of 128 lm and includes a 230V driver. The E-27 version is compatible with LED and compact fluorescent lights (not supplied). IP67 and IK10. Its wire outlets on both sides makes it suitable for an array installation. Includes flush mounting box. Option of separate purchase of a coloured reflector accessory.

**TECHNICAL CHARACTERISTICS**

Type:	Downlight
IP Protection degrees:	IP67
IK Protection degrees:	IK10
Lampholder:	1 x E27
Power (W):	E27 MAX 20W
Total power consumption (W):	20
Voltage / Frequency:	230V/50-60Hz
Warranty (Years):	2
Units per box:	4
Net Weight (Kg):	2.16
EAN:	8435111075210



Download photometric file .ldt / .ies

**MATERIALS / FINISHES**

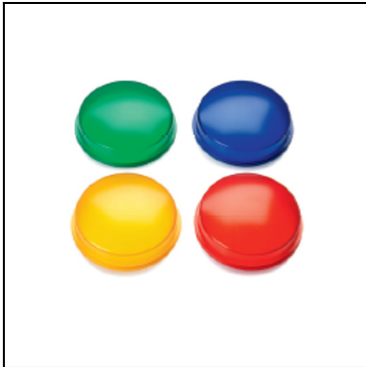
**Structure material:** High purity aluminium  
Technopolymer

**Diffuser material:** Polycarbonate

**Structure finish:** Grey

**Diffuser finish:** Matt

71-9477-08-08

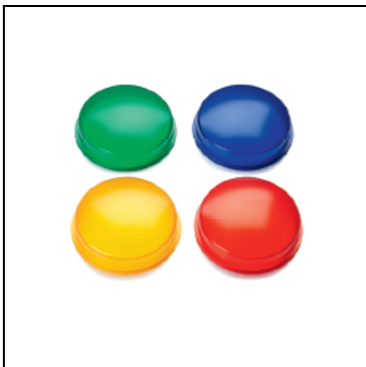
**Structure material:**

Polycarbonate

**Structure finish:**

Green

71-9477-11-11

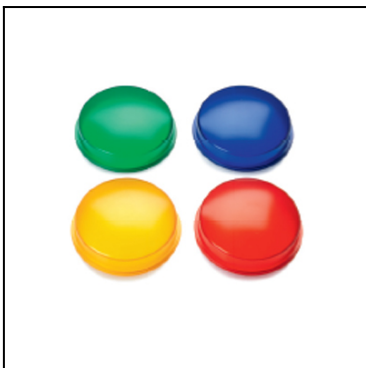
**Structure material:**

Polycarbonate

**Structure finish:**

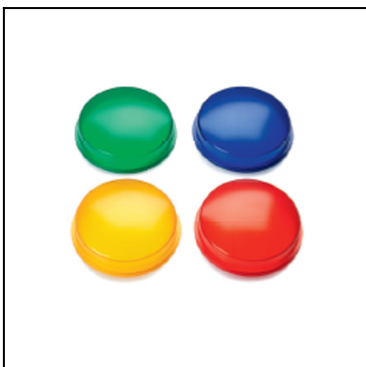
Blue

71-9477-24-24

**Structure material:**

Polycarbonate

71-9477-25-25

**Structure material:**

Polycarbonate

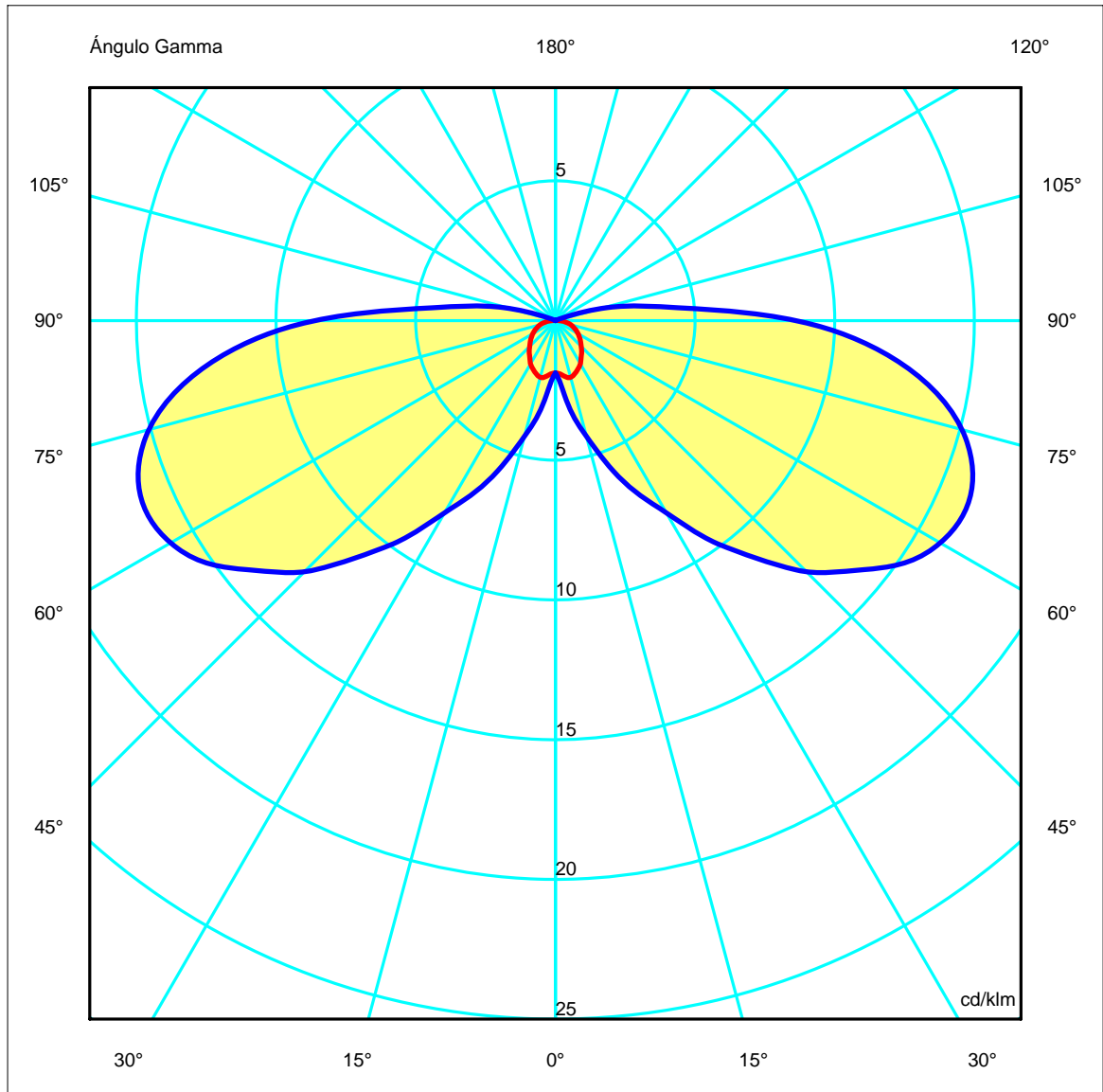
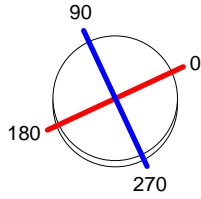
**Structure finish:**

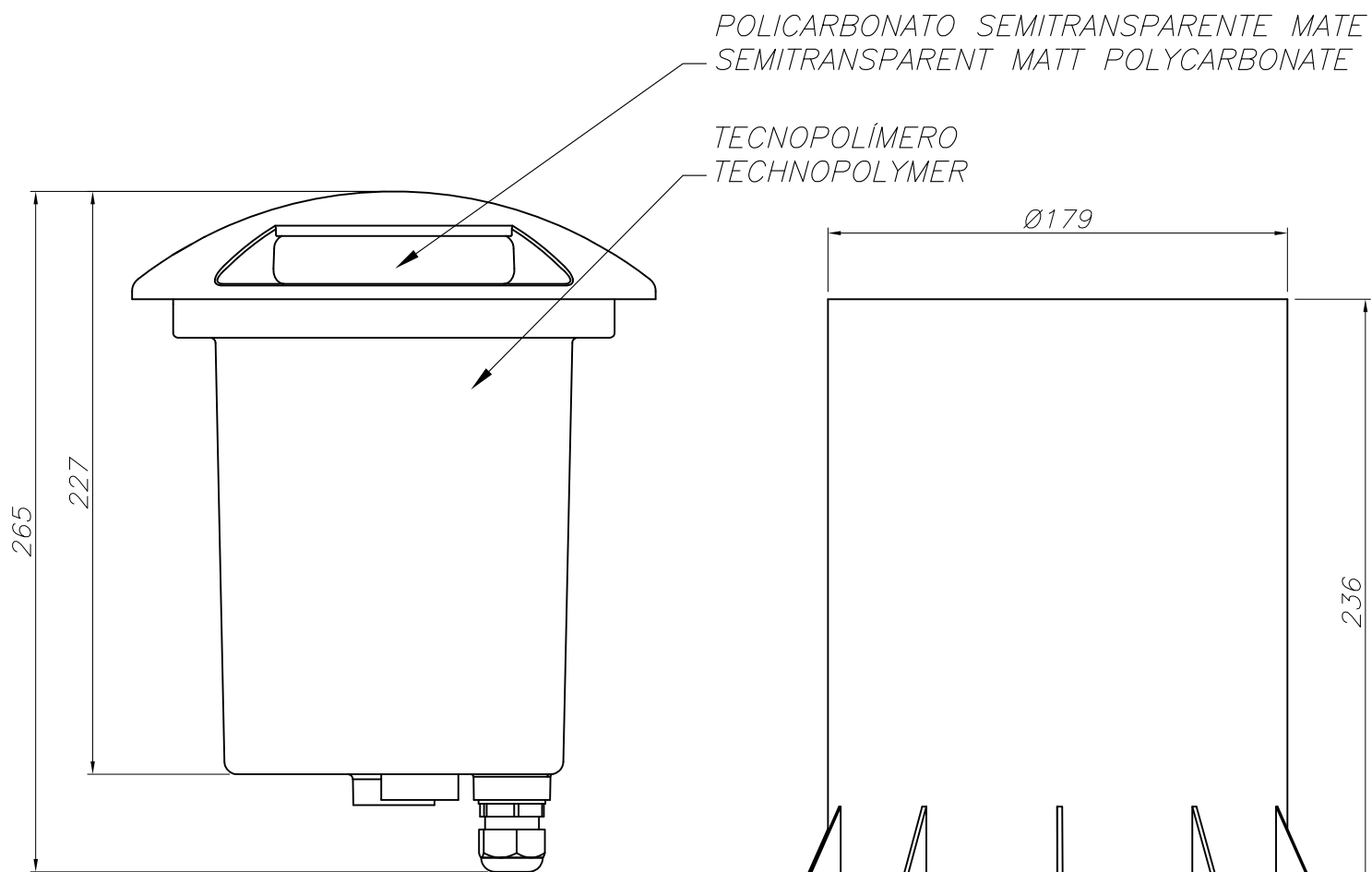
Red

<b>Luminaria</b>		<b>Ensayo</b>		<b>Lámpara</b>	
Código	55-9427	Código	55-9427	Código	PLET20DL
Nombre	Uplight 20W TC-TSE opal 2 vent	Nombre	Uplight 1x20W TC-TSE E27	Número	1
Familia	- LEDS-C4	Fecha	25-11-2009	Posición	Universal
Eficiencia	4.57%	Sist. de Coorden.	C-G	Flujo Total	1100.00 lm
Valor Máximo	16.17 cd/klm	Posición	C=90.00 G=65.00	Bisimétrico	

Diam=205mm Incasso

Semiplanos C





CAJA DE EMPOTRAR  
FLUSH FITTING BOX

