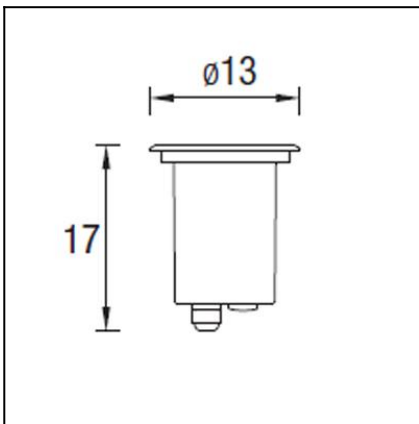


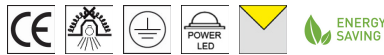


The photograph may not match the reference exactly. Please read the product description to identify the finish.



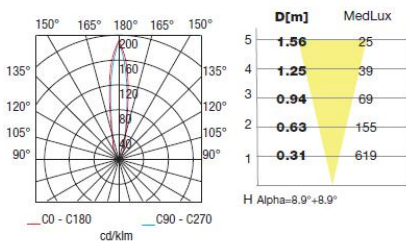
TECHNICAL CHARACTERISTICS

Type:	Downlight
IP Protection degrees:	IP67
IK Protection degrees:	IK08
Bulb:	3 x LED Edison. Neutral white (5000 - 3700 K)
Power (W):	1W
Voltage / Frequency:	100-240V/50-60Hz
Warranty (Years):	2
Units per box:	2
Net Weight (Kg):	0.815
EAN:	8435111075272

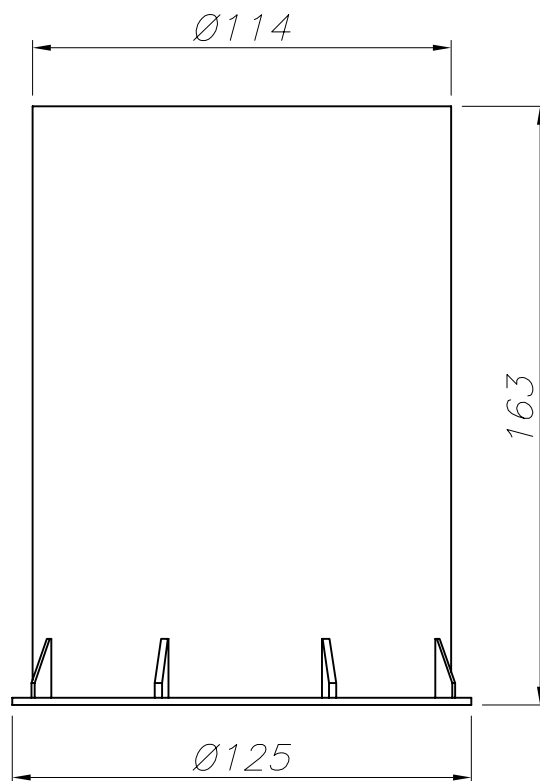
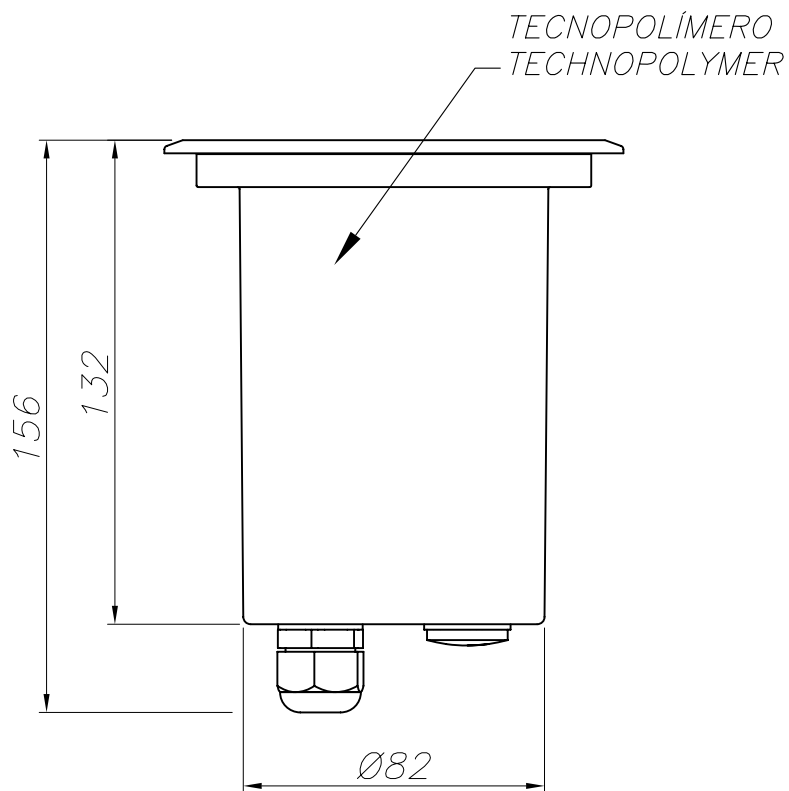


MATERIALS / FINISHES

Structure material:	Stainless steel AISI304 Technopolymer	Diffuser material: Glass
		Diffuser finish: Tempered



Download photometric file .ldt / .ies



CAJA DE EMPOTRAR
FLUSH FITTING BOX

