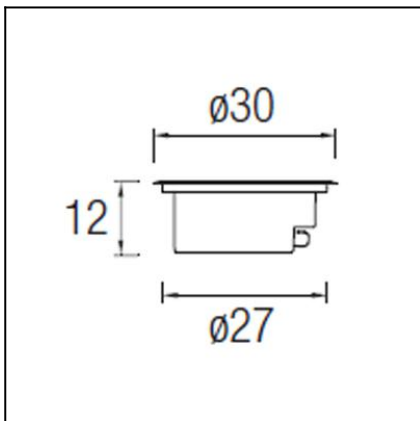




The photograph may not match the reference exactly. Please read the product description to identify the finish.

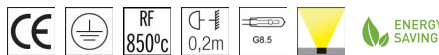


### DESCRIPTION

May be flush mounted into the floor. Body produced in injected aluminium, with an AISI 304 stainless steel surround and a clear glass diffuser. For G8.5 HID 35W light source. Includes BAG electronic components. It can be rotated by  $\pm 15^\circ$ . Includes a  $16^\circ$  beam reflector and a  $42^\circ$  beam reflector. Its wire outlets on both sides makes it suitable for an array installation. Compact design (only 12cm deep).

### TECHNICAL CHARACTERISTICS

Type:	Downlight
Adjustable $\pm 15^\circ$ on the vertical axis	
IP Protection degrees:	IP67
IK Protection degrees:	IK08
Lampholder:	1 x G8.5
Power (W):	G8.5 35W
Angle of the optics/Reflector:	$16^\circ$ , $40^\circ$
Voltage / Frequency:	230V/50Hz
Warranty (Years):	2
Units per box:	2
Net Weight (Kg):	5.7
EAN:	8435111082065



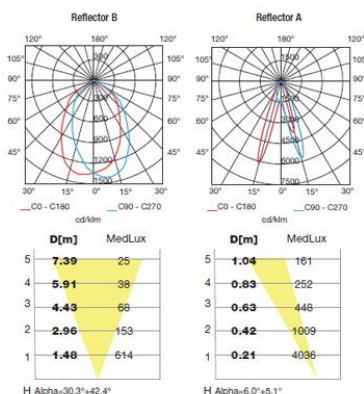
### MATERIALS / FINISHES

**Structure material:** Stainless steel AISI304  
Injected aluminium

**Diffuser material:** Glass

**Structure finish:** Polished

**Diffuser finish:** Tempered

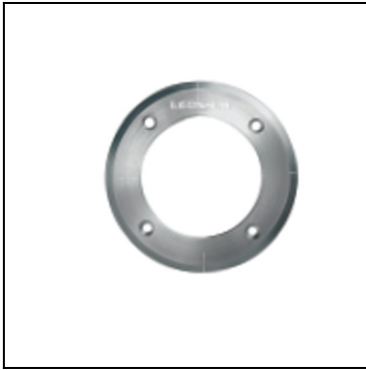


Download photometric file .ldt / .ies

### GEAR

Gear included: Yes, Magnetic

71-9512-CA-CA

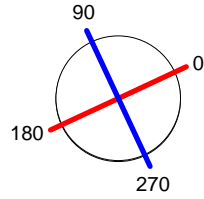


**Structure material:** Stainless steel AISI316

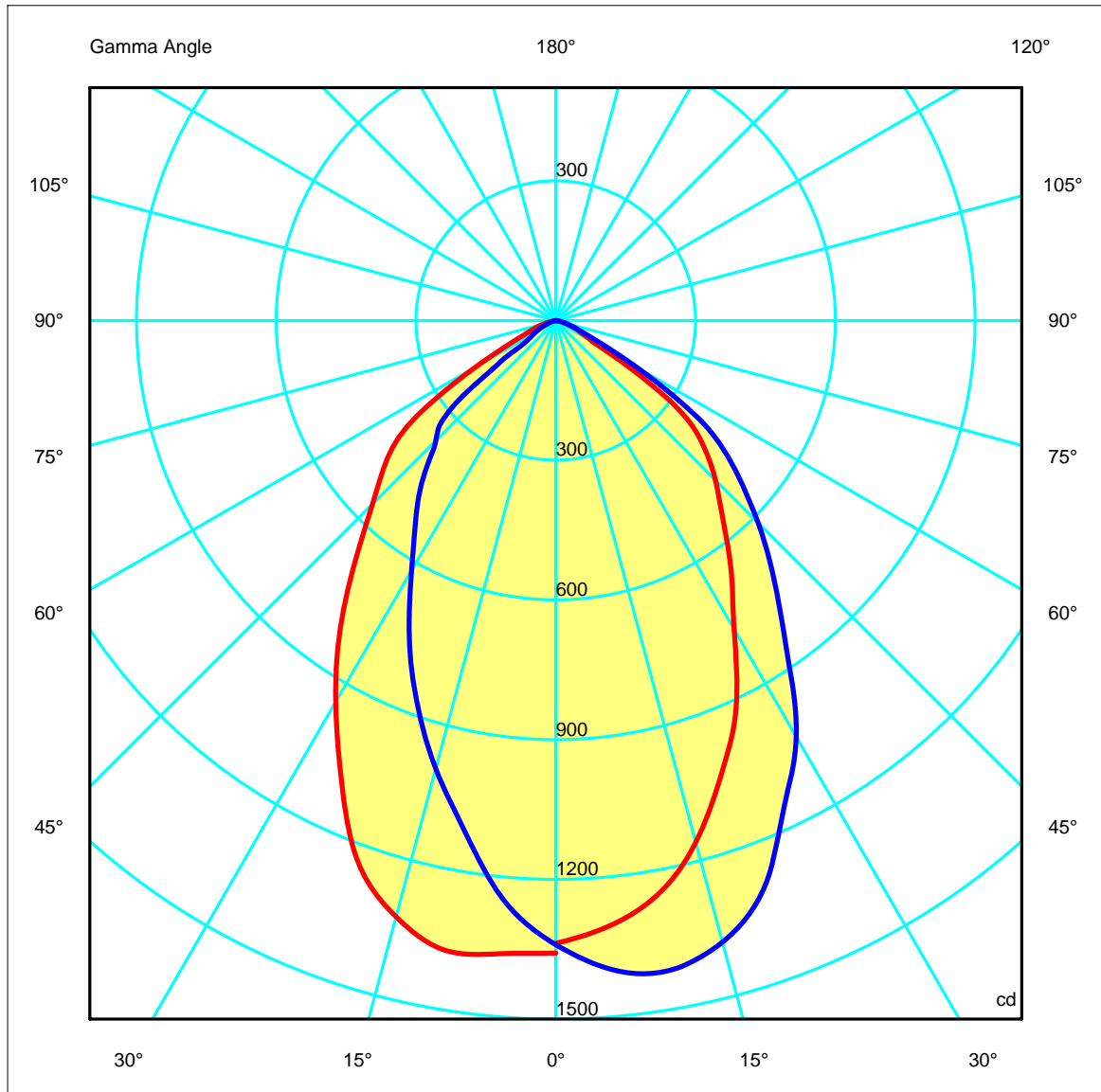
<b>Luminaire</b>		<b>Measurement</b>		<b>Lamp</b>	
Code	55-9486-A	Code	55-9486-A	Code	MHNTD 35
Name	Uplight HCI-TL 35W NDL	Name	Uplight Ref mat HCI-TC35W NDL	Number	1
Line	- LEDS-C4	Date	28-12-2010	Position	Universal
Efficiency	63.81%	Coordinate system	C-G	Total Flux	3200.00 lm
Maximum value	1435.02 cd	Position	C=120.00 G=10.00	Asymmetrical	

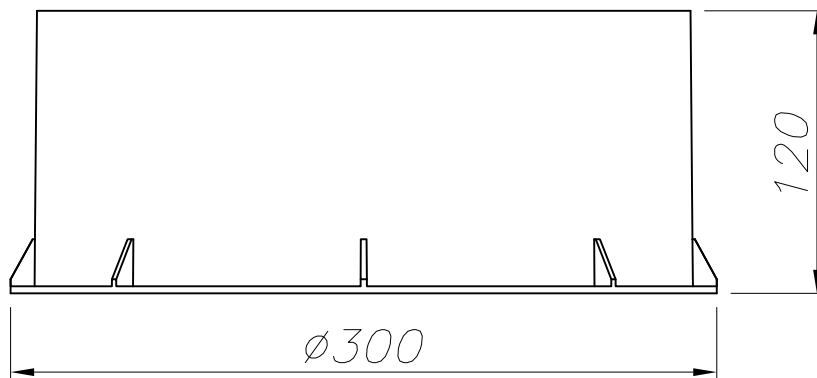
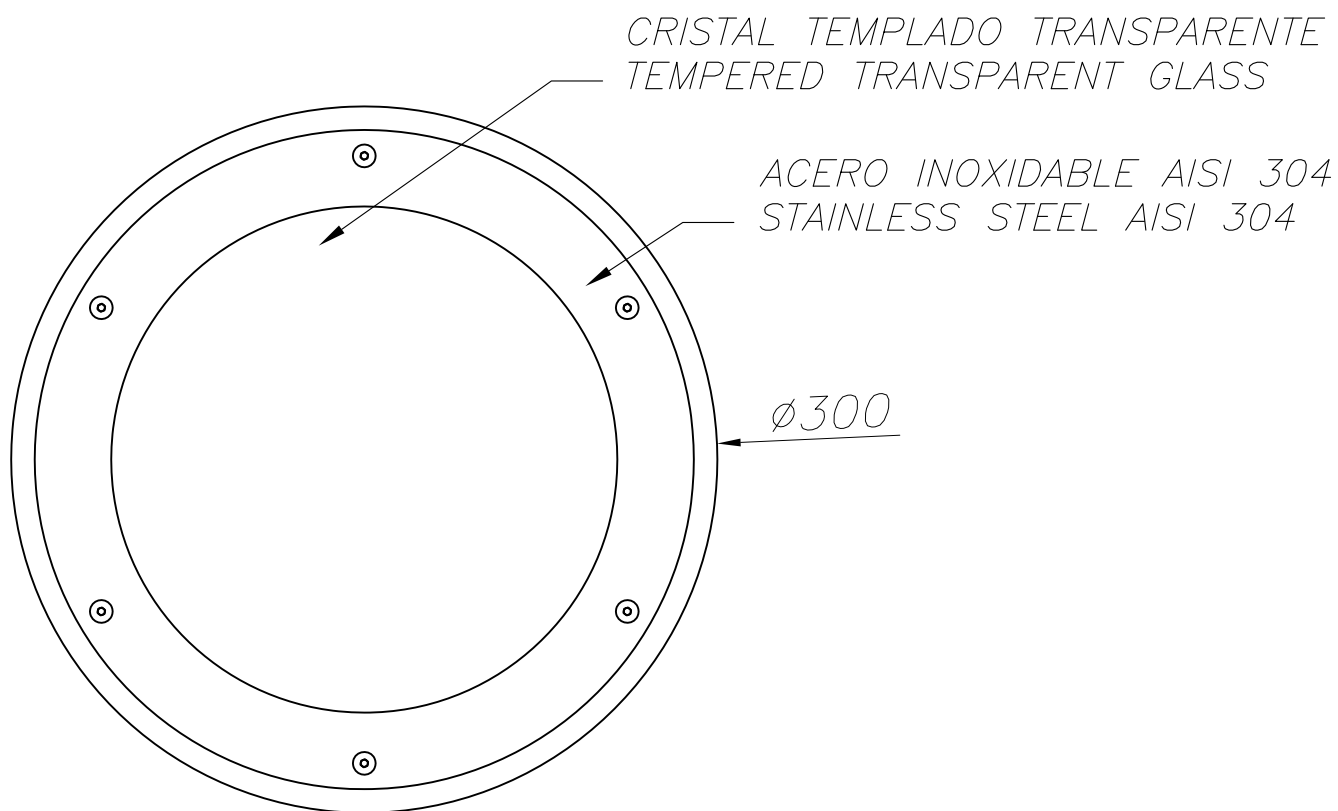
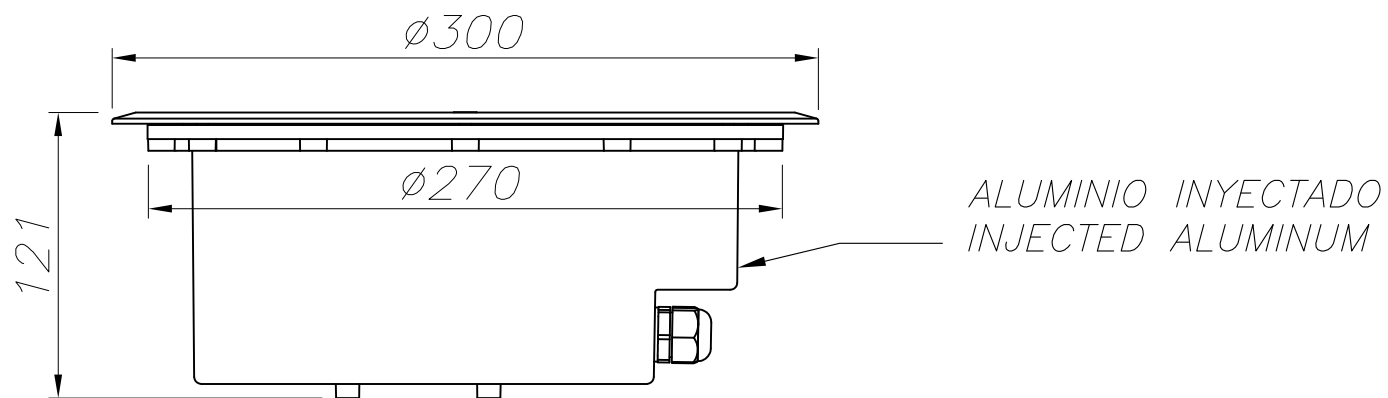
Diam=300mm

C Halfplanes



180.0 ——— 0.0  
 270.0 ——— 90.0





CAJA DE EMPOTRAR  
FLUSH FITTING BOX

