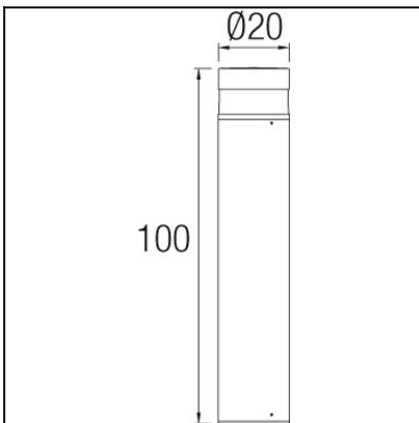




The photograph may not match the reference exactly. Please read the product description to identify the finish.

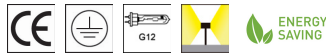


DESCRIPTION

Bollard with body produced in high grade aluminium. It comes complete with a clear polycarbonate diffuser inside and a frosted glass diffuser on the outside. Available in E-27 version for LED, compact fluorescent and halogen lamps and in HID version with 35W and 70W electronic components included. Light bulbs not included. Offered in two diameter options (16cm and 20cm) and in two finishes (light grey or dark grey).

TECHNICAL CHARACTERISTICS

Type:	Beacon
IP Protection degrees:	IP54
IK Protection degrees:	IK08
Lampholder:	1 x G12
Power (W):	G12 70W
Voltage / Frequency:	230V/50Hz
Warranty (Years):	2
Units per box:	1
Net Weight (Kg):	7.245
EAN:	8435111093191



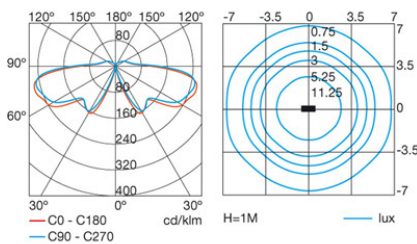
MATERIALS / FINISHES

Structure material: Extruded aluminium

Diffuser material: Polycarbonate Glass

Structure finish: Urban grey

Diffuser finish: Transparent Matt



GEAR

Gear included: Yes, Magnetic

Download photometric file .ldt / .ies

