

OUT 

GEA

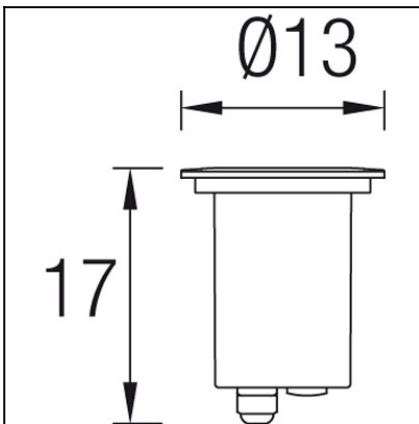
55-9567-Z5-37



The photograph may not match the reference exactly. Please read the product description to identify the finish.

TECHNICAL CHARACTERISTICS

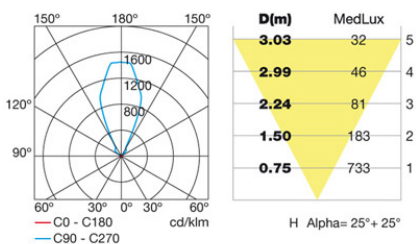
Type:	Downlight
IP Protection degrees:	IP67
IK Protection degrees:	IK08
Recessed in-ground suitable for pedestrian crossing:	Si
Lampholder:	1 x GU10
Power (W):	GU10 max. 50W
Voltage / Frequency:	220-240V/50-60Hz
Warranty (Years):	2
Units per box:	12
Net Weight (Kg):	0.69
EAN:	8435111088777



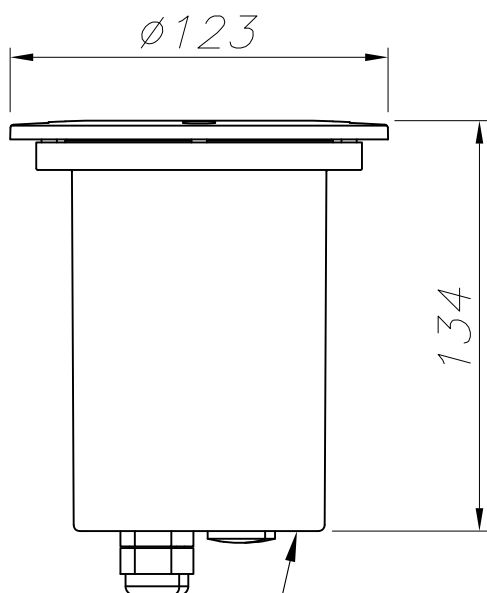
MATERIALS / FINISHES

Structure material: Technopolymer
Structure finish: Urban grey

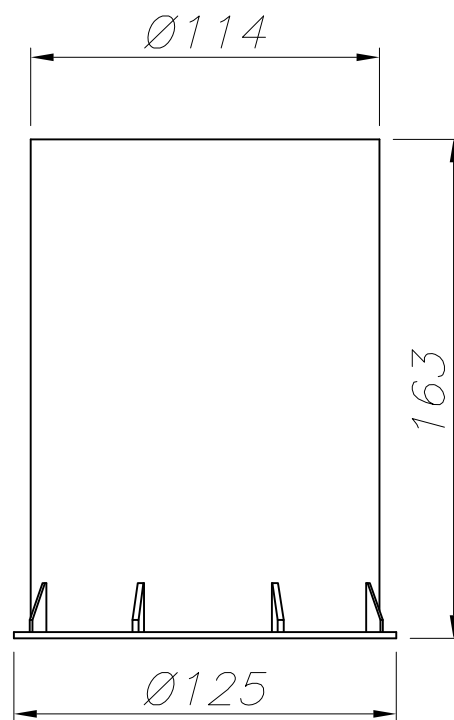
Diffuser material: Glass
Diffuser finish: Tempered



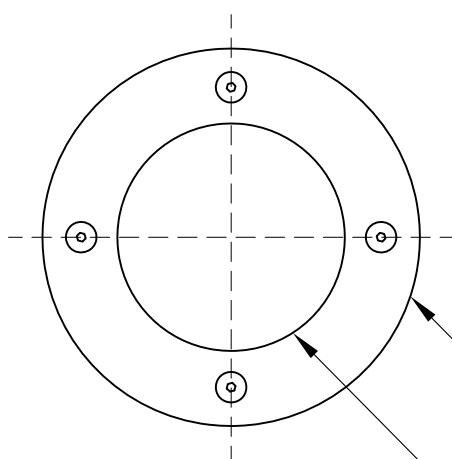
Download photometric file .ldt /.ies



PP REFORZADO CON
FIBRA DE VIDRIO
FIBERGLASS REINFORCED PP



CAJA DE EMPOTRAR
FLUSH FITTING BOX



PP REFORZADO FIBRA DE VIDRIO,
ACABADO MATE
FIBERGLASS REINFORCED PP, MATT FINISH

CRISTAL TEMPLADO TRANSPARENTE
TEMPERED TRANSPARENT GLASS

