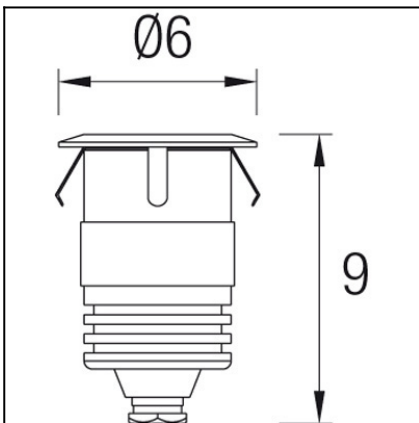




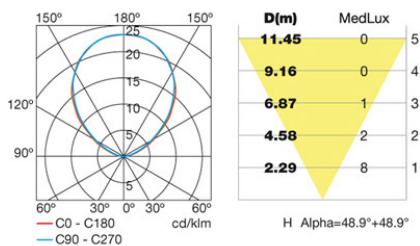
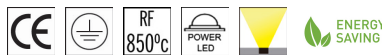
The photograph may not match the reference exactly. Please read the product description to identify the finish.


DESCRIPTION

May be flush mounted into the ground. Body and surround produced in anodised aluminium. Tempered glass diffuser. 4,200K LED light source comprising 1 CREE LED light. Available with or without driver. Includes 3000K warm light filter and 4 colour filters (yellow, green, blue and red). Includes flush mounting box.

TECHNICAL CHARACTERISTICS

Type:	Downlight
IP Protection degrees:	IP67
IK Protection degrees:	IK05
Recessed in-ground suitable for pedestrian crossing:	Si
Bulb:	1 x LED Cree. Neutral white - 4000K
Power (W):	1W
Total power consumption (W):	2.2
Luminous efficacy (Lm/W):	122
CRI:	75
Voltage / Frequency:	100-240V/50-60Hz
Warranty (Years):	2
Option to extend the guarantee:	Yes, 5 years
Units per box:	24
Net Weight (Kg):	0.4
EAN:	8435111089927


MATERIALS / FINISHES

Structure material: Aluminium

Diffuser material: Glass

Structure finish: Anodized

Diffuser finish: Tempered

GEAR

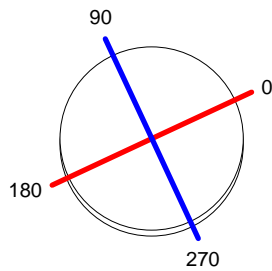
Multi-voltage electronic gear included (100-240V / 50-60Hz)

Download photometric file .ldt / .ies

Luminaria		Ensayo		Lámpara	
Código	55-9620	Código	55-9620	Código	55-9620
Nombre	Downlight led	Nombre	Downlight led	Número	1
Familia	- LEDS C4 LEDS	Fecha	17-11-2011	Posición	Universal
Rendimiento	100.00%	Sist. de Coorden.	C-G	Flujo Total	52.29 lm
Valor Máximo	23.32 cd	Posición	C=0.00 G=0.00	Bisimétrico	
Luminaria Redonda Empotrada	Diam.	62 mm	Altura	4 mm	
Área Luminosa Redonda	Diam.	26 mm	Altura	0 mm	
Área Luminosa Horizontal	0.000531 m2		Área Emisión sobre Pl. 180°	0.000000 m2	
Área Emisión sobre Pl. 0°	0.000000 m2		Área Emisión sobre Pl. 270°	0.000000 m2	
Área Emisión sobre Pl. 90°	0.000000 m2		Área de deslumbramiento a 76°	0.000128 m2	
Tipo de Simetría	Bisimétrico	Máximo Ángulo Gamma	Flujo de Ensayo	180	52.29 lm
Distancia de Ensayo	6.44				
Operador	Asselum T2	Tensión de alimentación	230.00 V		
Temperatura	22.00 °C	Corr. aliment.			
Humedad	50.00 %	Fotocélula	PRC		
Notas					

Lámparas de la Luminaria					
Familia	Código	Nombre	Flujo/lm	Pot.W	Cant.
- LEDS C4 LEDS	55-9620	Lámpara led blanco	52.29	2.00	1
C.I.E.	57 87 98 100 100	D DIN 5040		A40	
F UTE	1.00 D + 0.00 T	B NBN		BZ 3	

Diam=62mm Incasso



Semiplanos C

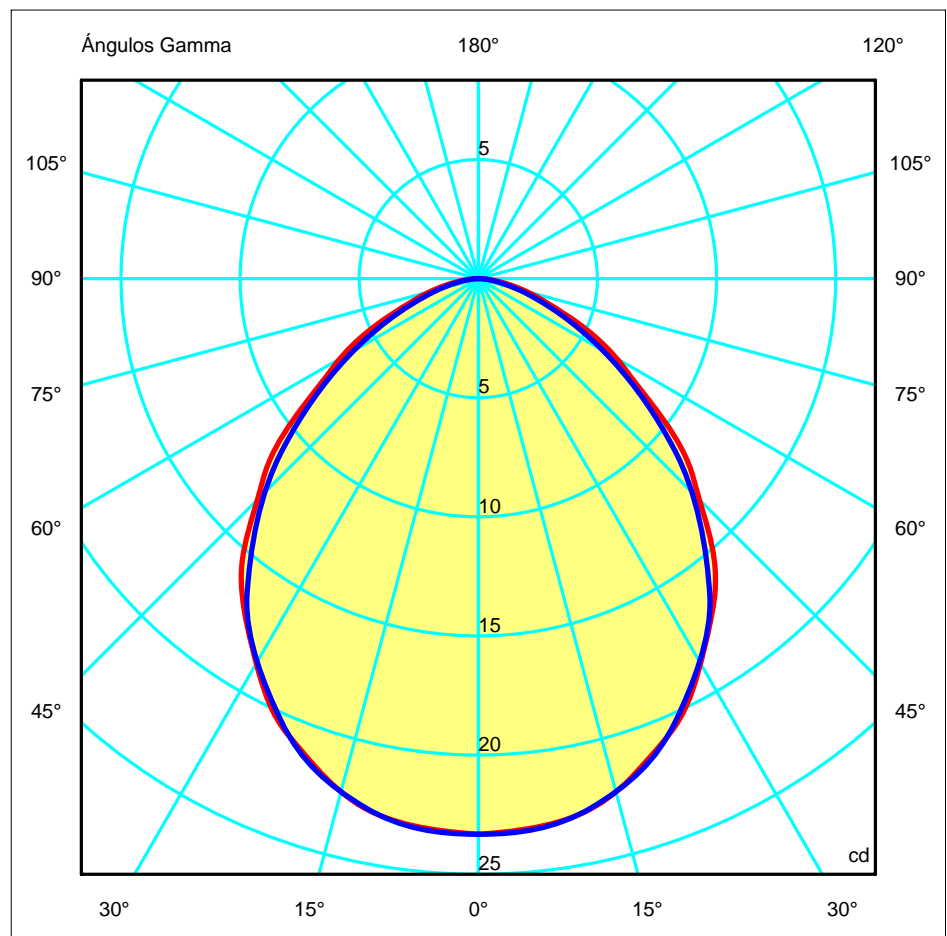
180.0 — 0.0

270.0 — 90.0

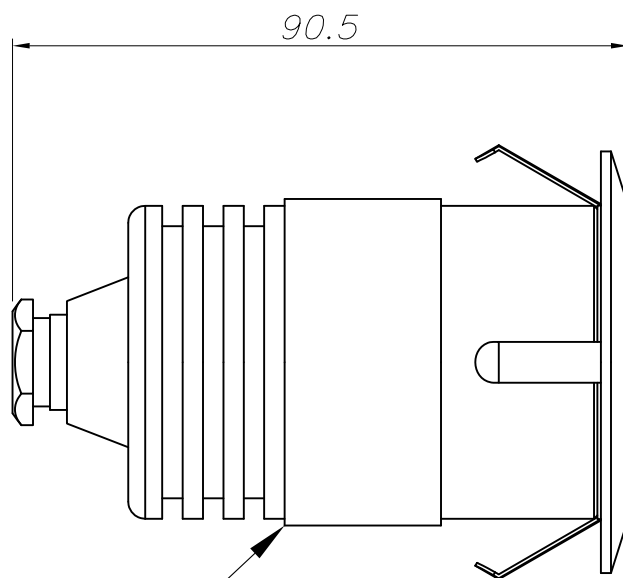
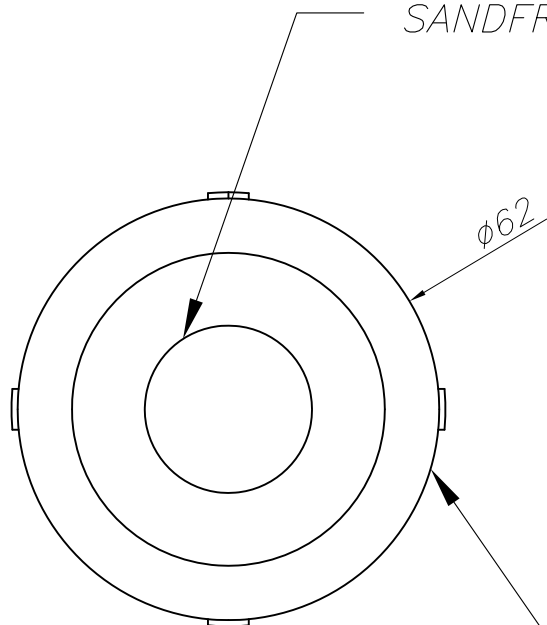
ULOR 0.10 %

DLOR 99.90 %

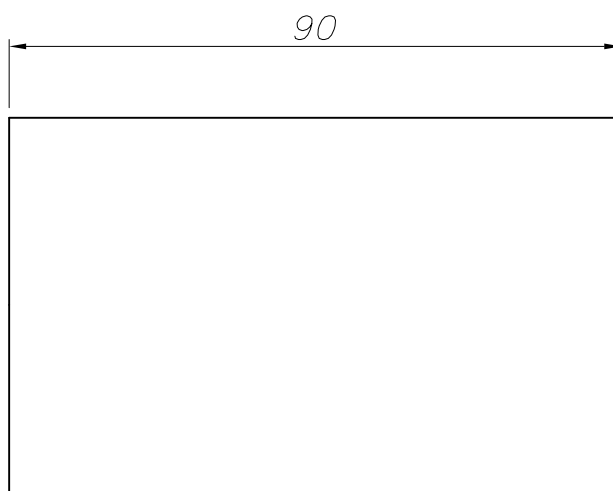
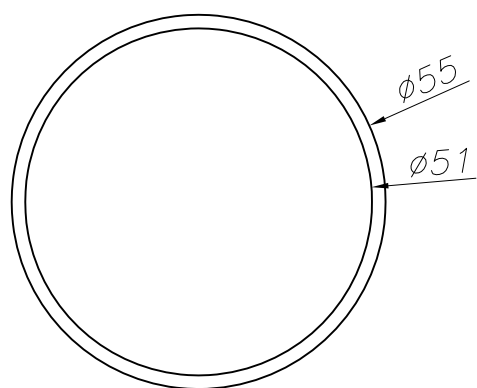
RN 0.10 %



CRISTAL ARENADO INTERIOR
SANDFROSTED GLASS INSIDE



ALUMINIO DE ALTA PUREZA
HIGH QUALITY ALUMINIUM



CAJA DE EMPOTRAR
FLUSH FITTING BOX

